

Inhoudsopgave

| | |
|---|-----|
| Achteras Huis & Drijfwerk Huis | 52 |
| Bumper & Motorkap Sluiting | 24 |
| Dashbord | 34 |
| Diepte Regeling | 102 |
| Driepunt met Snelsluiters | 106 |
| Driepunt met verstelling | 108 |
| Driepunt Standaard | 104 |
| Elektrische Delen Voor | 83 |
| Front Gewichten & Beugel | 112 |
| Gaskabels Hand & Voetgas | 14 |
| Hef Deksel & Cilinders | 92 |
| Hydrauliek Achter | 94 |
| Hydrauliek Ventielen | 90 |
| Hydrauliek van PTO & Differentieel | 88 |
| Index | 114 |
| Koppeling | 8 |
| Koppelings Pedalen | 59 |
| LuchtfILTER | 18 |
| Middenstuk Knuk & Koppelings Plaat | 48 |
| Motor 60 CV | 10 |
| Motorkap | 26 |
| Oliekoeler | 86 |
| Parkeer Rem | 64 |
| PTO & Tandwielen | 79 |
| Radiator & Slangen | 16 |
| Rem Pedalen | 62 |
| Schakelpook Rubbers & Zitting Plaat | 38 |
| Schakelpoken & Gaffels | 74 |
| Spatschermen Voor & Rolbeugel | 28 |
| Spatschermen Voor met Cabine | 30 |
| Stickers | 32 |
| Tandwielen | 68 |
| Tank | 20 |
| Uitlaat | 22 |
| Vooras Huis | 46 |
| Vooras Aandrijving | 54 |
| Wiel Eindvertraging | 77 |

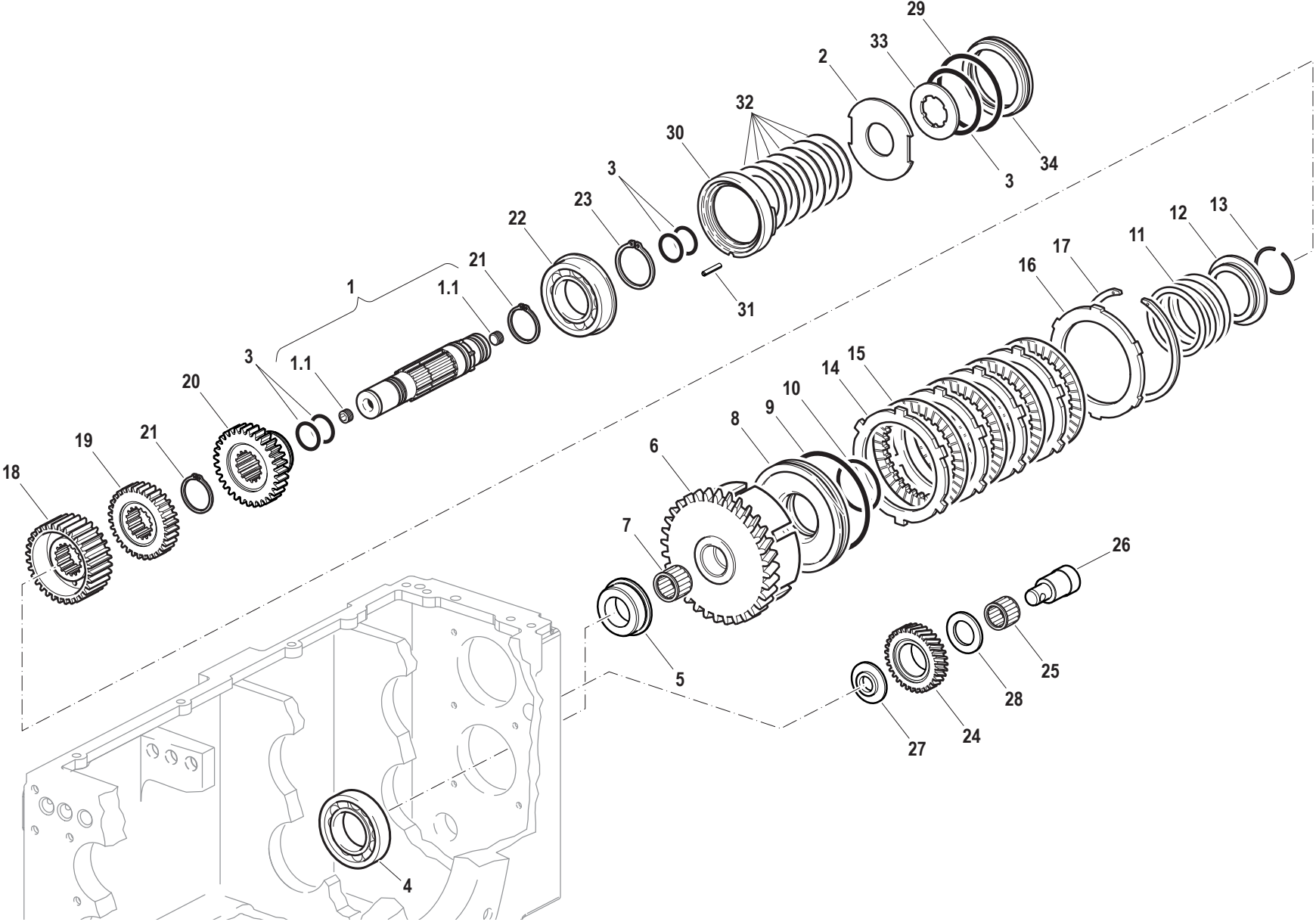


| Code | Description | Notes |
|------------------|---|---------------|
| D.15.01.L20003_0 | PRESA DI FORZA | |
| A.01.01.L20003_0 | ENGINE | Engine: 60 CV |
| A.01.02.L20003_0 | ENGINE | Engine: 60 CV |
| A.02.01.L20004_0 | ENGINE CONTROLS | |
| A.03.01.L20003_0 | RADIATOR | |
| A.04.01.L20003_0 | AIR FILTER | |
| A.05.01.L20003_0 | FUEL TANK | |
| A.06.01.L20003_0 | MUFFLER | |
| B.01.01.L20003_0 | FRONT SUPPORT | |
| B.02.01.L20003_0 | BONNET | |
| B.03.01.L20005_0 | FRONT MUDGUARDS | |
| B.03.02.L20005_0 | FRONT MUDGUARDS (VERSION WITH CAB) | |
| B.07.01.L20005_0 | PLATES AND STICKERS | |
| B.08.01.L20003_0 | DASHBOARD | |
| B.09.01.L20006_0 | SEAT SUPPORT / GEAR LEVERS COVER | |
| B.09.02.L20005_0 | SEAT SUPPORT / GEAR LEVERS COVER (VERSION WITH CAB) | |
| C.01.01.L20004_0 | FRONT AXLE | |
| C.02.01.L20004_0 | CENTRAL SECTION | |
| C.03.01.L20005_0 | REAR AXLE | |
| D.01.01.L20005_0 | FRONT TRANSMISSION | |
| D.02.01.L20004_0 | CLUTCH | |
| D.02.02.L20003_0 | INPUT SHAFT | |
| D.03.01.L20004_0 | CLUTCH CONTROLS | |
| D.04.01.L20003_0 | BRAKE | |
| D.05.01.L20006_0 | BRAKES CONTROLS | |
| D.06.01.L20003_0 | PARKING BRAKE | |
| D.07.01.L20003_0 | GEARS MAIN SHAFT / GEARS | |
| D.08.01.L20003_0 | GEARS TRANSMISSION SHAFT / GEARS | |
| D.10.01.L20004_0 | GEARBOX CONTROLS | |
| D.11.01.L20005_0 | REAR TRANSMISSION | |
| D.12.01.L20003_0 | REDUCTION GEARS | |
| D.14.01.L20003_0 | POWER TAKE-OFF | |
| E.01.01.L20003_0 | FRONT ELECTRICAL SYSTEM | |
| E.02.01.L20003_0 | ENGINE ELECTRIC SYSTEM | |



| Code | Description | Notes |
|------------------|--|--------------|
| F.02.01.L20005_0 | HYDR. SYSTEM : HEAT EXCHANGER | |
| F.04.01.L20003_0 | PTO /DIFFERENTIAL LOCK HYDR. SYSTEM | |
| I.01.01.L20003_0 | HYDR. CONTROL VALVES: AVAILABLE PARTS | |
| L.01.01.L20003_0 | RAISE/LOWER LIFT | |
| L.02.01.L20006_0 | CONTROL VALVES | |
| M.01.01.L20003_0 | POSITION AND DRAFT CONTROL LIFT | |
| M.02.01.L20006_0 | POSITION AND DRAFT CONTROL LIFT | |
| T.01.01.L20004_0 | IMPLEMENTS ATTACHMENT - STANDARD | |
| T.01.02.L20004_0 | IMPLEMENTS ATTACHMENT WITH QUICK COUPLINGS | |
| T.01.03.L20003_0 | IMPLEMENTS ATTACHMENT - ADJUSTABLE ARMS WITH QUICK HITCHES | |
| U.01.01.L20003_0 | FRONT BALLASTS | |

PRESA DI FORZA



| Pos. | Code | Q.ty | Description | Notes |
|------|----------|------|-----------------------------|-------|
| 22 | 37111461 | 1 | BEARING | |
| 4 | 37112503 | 1 | BEARING | |
| 3 | 38116317 | 1 | RING | |
| 29 | 38118720 | 1 | O-RING | |
| 16 | 52372292 | 1 | RING | |
| 24 | 52479236 | 1 | PTO GEAR | |
| 26 | 52479238 | 1 | GEAR PIN | |
| 19 | 524A2293 | 1 | DRIVE GEAR PDF 540K60-V65 | |
| 20 | 524A2295 | 1 | DRIVE GEAR PDF 750K60-V65 | |
| 18 | 52579229 | 1 | DISC HUB | |
| 34 | 53273891 | 1 | PISTON | |
| 8 | 53279226 | 1 | PISTON | |
| 12 | 563A2120 | 1 | ANELLO MOLLA RICH.STANTUFFO | |
| 2 | 56473890 | 0.3 | BRAKE DISC | |
| 2 | 56474713 | 0.1 | BRAKE DISC | |
| 2 | 56474714 | 0.1 | BRAKE DISC | |
| 2 | 56475517 | 0.25 | BRAKE DISC | |
| 2 | 56475518 | 0.25 | CLUTCH DISC | |
| 33 | 56475844 | 1 | CLUTCH DISC | |
| 30 | 56479039 | 1 | SPACER | |
| 6 | 56479221 | 1 | CLUTCH HOUSING | |
| 5 | 56479239 | 1 | BUSHING | |
| 27 | 56479241 | 1 | THRUST PLATE | |
| 28 | 56479242 | 1 | THRUST PLATE | |
| 17 | 58072389 | 1 | CIRCLIP | |
| 2 | 58072398 | 4 | SEAL | |
| 13 | 58072399 | 1 | SAFETY RING | |
| 11 | 58074092 | 1 | RESTORING SPRING | |
| 32 | 58075515 | 6 | SPRING | |
| 9 | 58172400 | 1 | GASKET | |
| 10 | 58172402 | 1 | GASKET | |
| 15 | 58172447 | 4 | DISC | |
| 14 | 58172448 | 4 | DISC | |
| 1 | 592A1250 | 1 | SHAFT | |

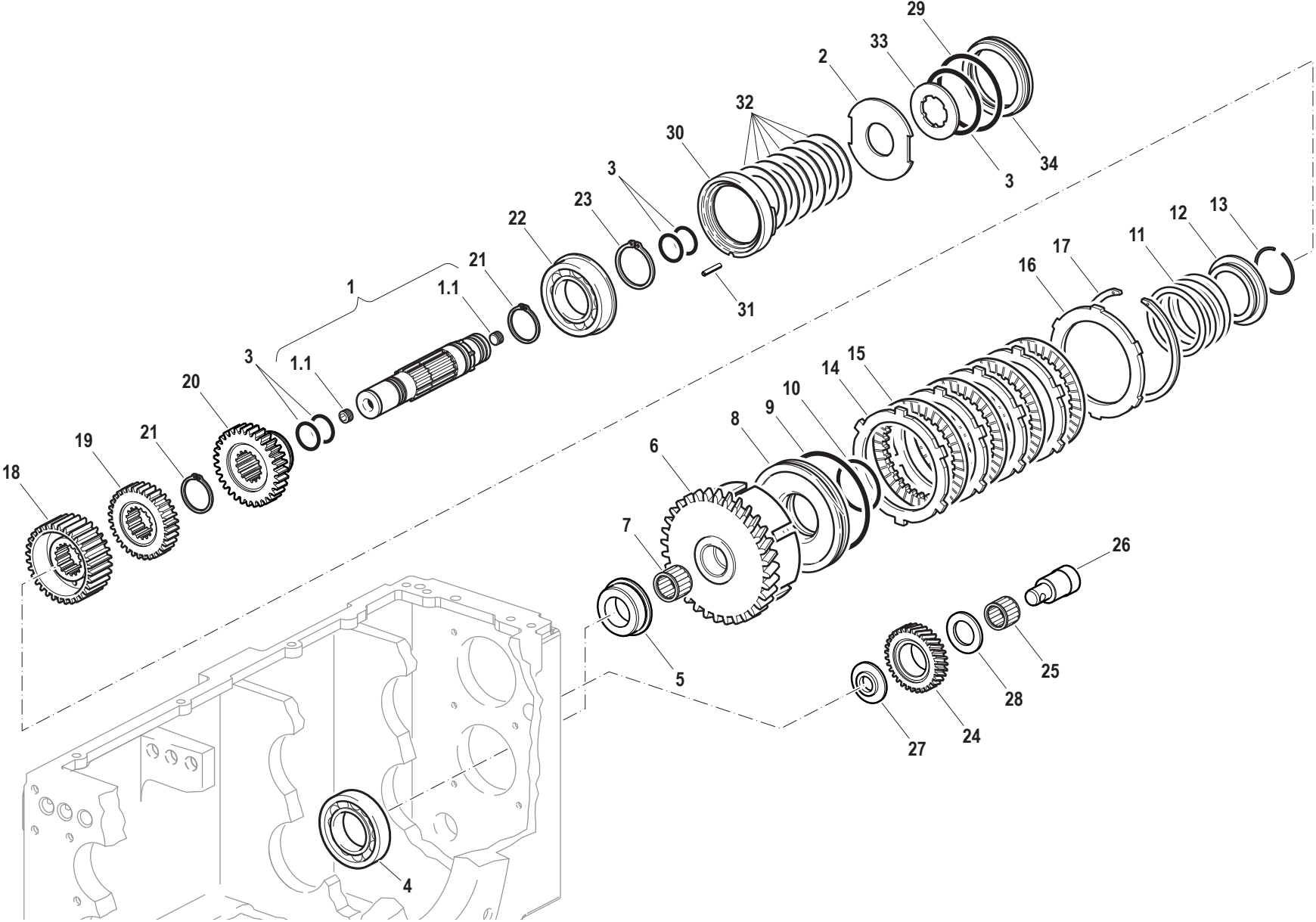
SERIAL

PRESA DI FORZA

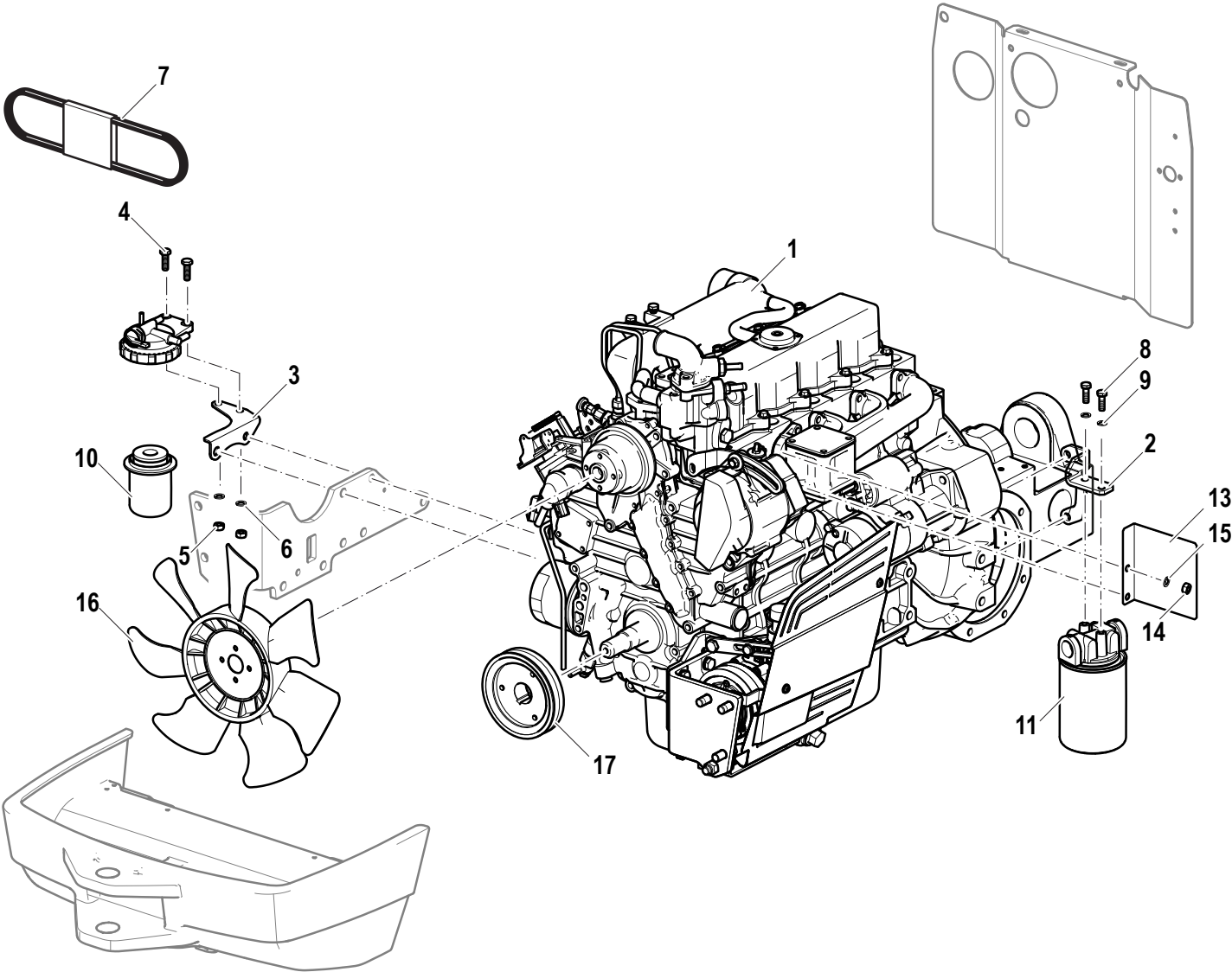
CODE REV

D.15.01.L20003_0

PRESA DI FORZA



| Pos. | Code | Q.ty | Description | Notes |
|-------------|-------------|-------------|-----------------------------|--------------|
| 21 | F0801264050 | 2 | SEEGER RING E 35X2,5 U/7436 | |
| 23 | F0801331000 | 1 | SEEGER RING E 45 UNI 7435 | |
| 25 | F0812689050 | 1 | ROLLER CAGE K 25X33/20 | |
| 7 | F0812736010 | 1 | ROLLER CAGE K 30X35/20 H | |
| 31 | F0851226000 | 1 | PIN 6X12 UNI 1707 CL:C20 | |
| 1.1 | F0852578060 | 2 | CONICAL PLUG | |



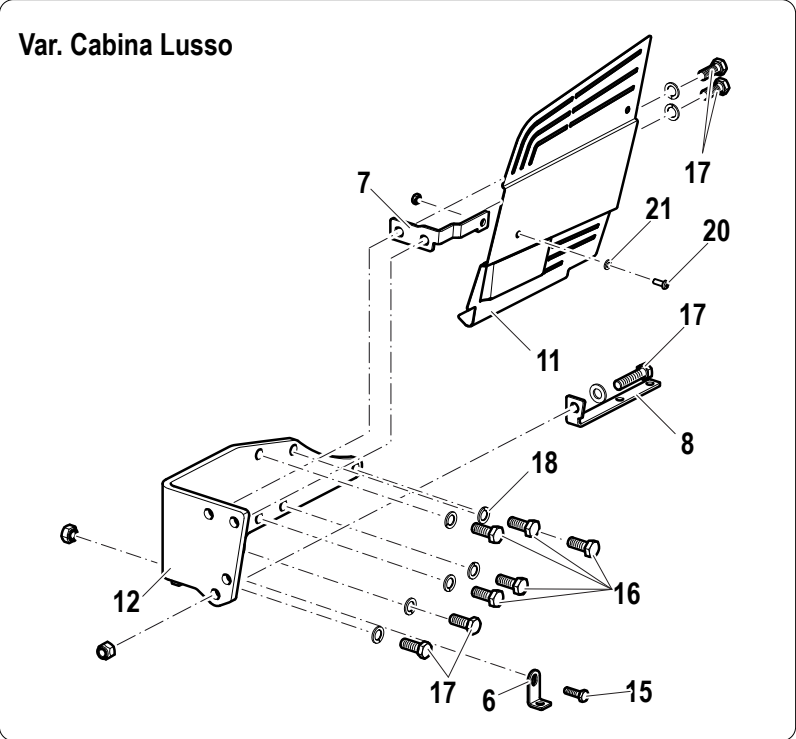
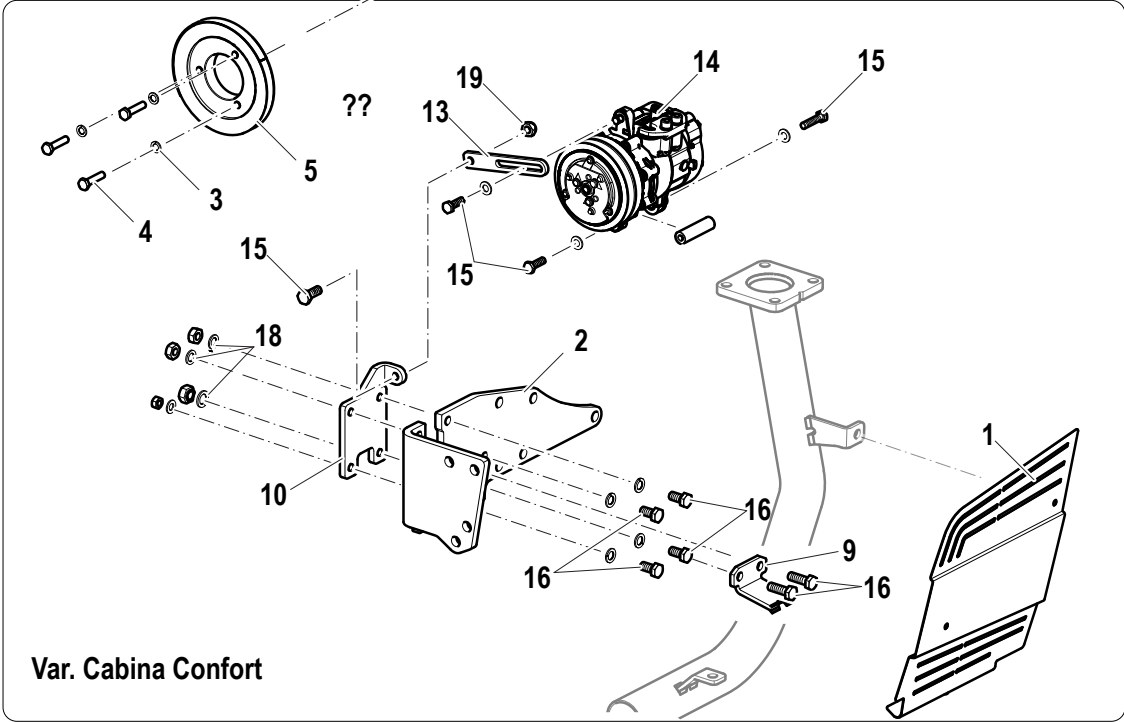
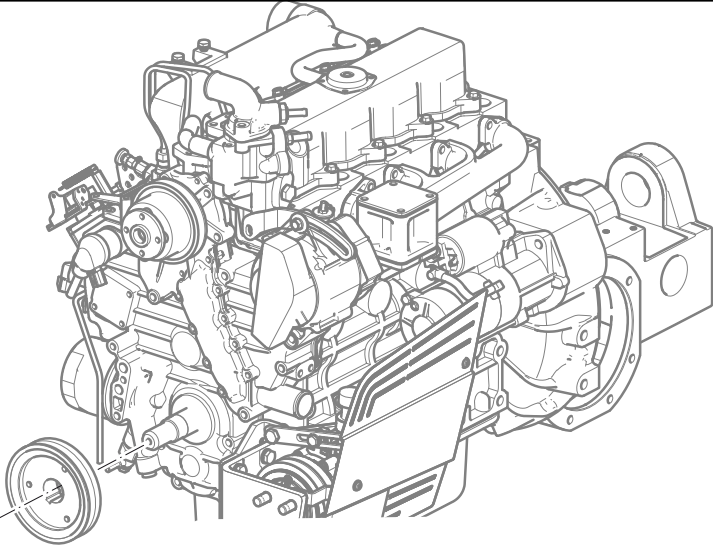
| Pos. | Code | Q.ty | Description | Notes |
|------|-------------|------|--------------------------------|-------|
| 1 | 41AH0000 | 1 | MOT.KUBOTA V 2203 M DI E2B | |
| 2 | 561A2954Z | 1 | STAF.FIX FILT.ASP.K60 V65 ZNT | |
| 3 | 561A3125 | 1 | STAFFA SUPP.FILTRO COMB.K60 | |
| 4 | 31112151 | 2 | SCREW TE M8X25 UNI 5739 8G | |
| 5 | 31211080 | 2 | NUT M8 | |
| 6 | F0843643060 | 2 | WASHER 8 | |
| 7 | 59921000 | 1 | CINGHIA ALT.K60 1K371-97011 mr | |
| 8 | 31112902 | 2 | SCREW TE M10X1,25X35 UNI5740 | |
| 9 | F0843755000 | 2 | WASHER 10 | |
| 11 | 58175014 | 1 | FILTER | |
| 13 | 561A3119 | 1 | LAMIERINO D.PROTEZIONE K60 grz | |
| 14 | 31211080 | 2 | NUT M8 | |
| 15 | F0843643060 | 2 | WASHER 8 | |
| 16 | 59921001 | 1 | FAN | |

SERIAL

ENGINE
Engine: 60 CV

CODE REV

A.01.01.L20003_0



A.01.02.L20003_0.ai

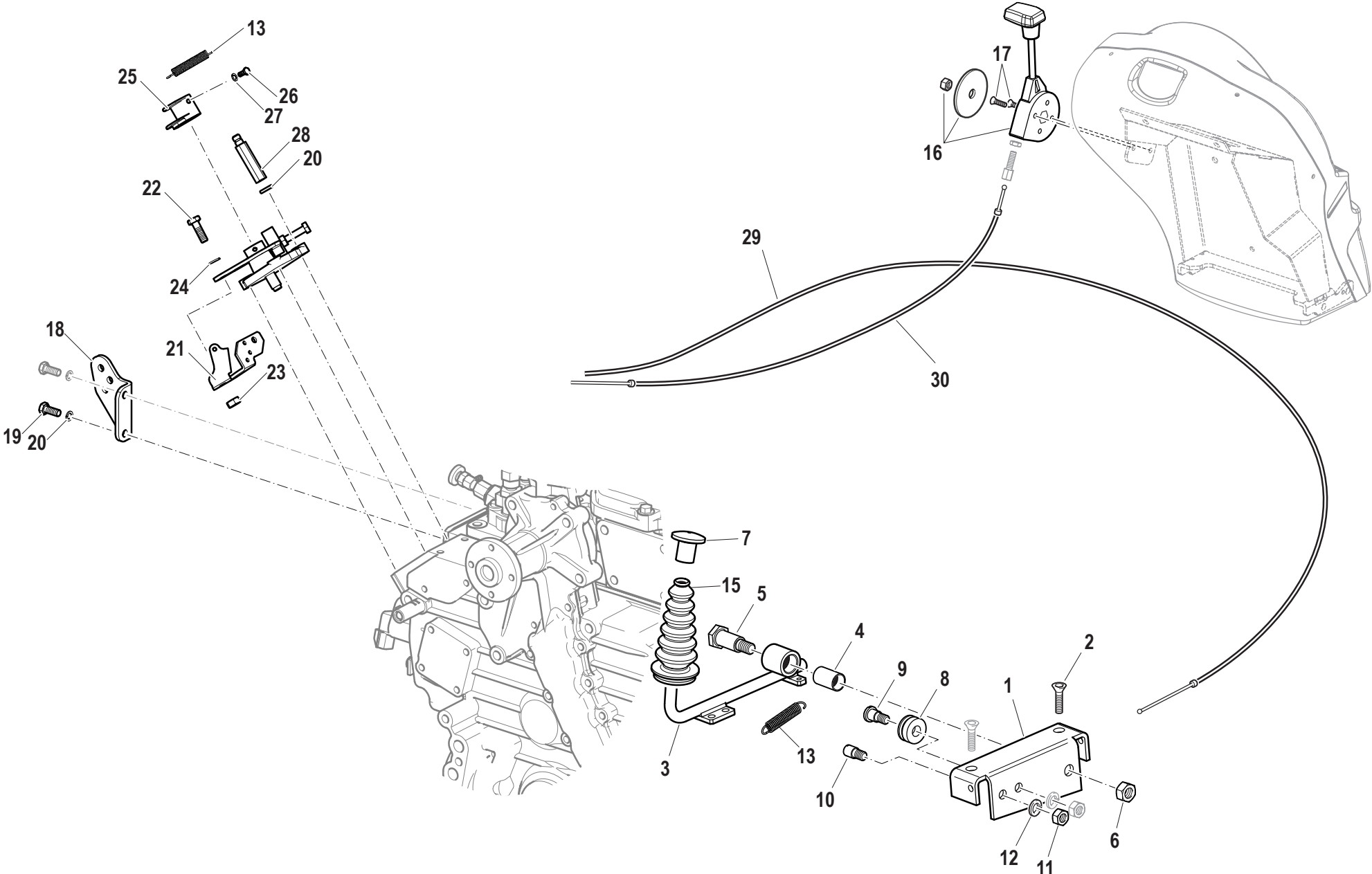
| Pos. | Code | Q.ty | Description | Notes |
|------|-------------|------|--------------------------------|-------|
| 1 | 590A3081 | 1 | PROT.ANTICALORE LAT.CABINA K60 | |
| 2 | 561A2205 | 1 | LONGH.SX SUPP.RADIAT.K60 | |
| 3 | F0843643060 | 3 | WASHER 8 | |
| 4 | 31112153 | 3 | SCREW TE M8X35 UNI 5739 8G | |
| 5 | 563A2975 | 1 | PULEGGIA COMPRESSORE K60 | |
| 6 | 561A2815 | 1 | STAF.FIX.COLL.SILENZ.K60 GRZ | |
| 7 | 590A2807 | 1 | STAFFA SUPER.PROT.LAT.K60 | |
| 8 | 561A2808 | 1 | STAFFA INFER.PROT.LAT.K60 * | |
| 9 | 590A2237 | 1 | SUPP.COMPRESSORE CLIMA K60 | |
| 10 | 561A2225 | 1 | PIASTRA LONGH.SX CLIMA K60 | |
| 11 | 590A2810 | 1 | PROT.COMPR/SCAR.LAT.K60-L60 | |
| 12 | 590A2802 | 1 | LONGH.SX SUPP.RADIAT.K60 | |
| 13 | 561A0940 | 1 | BRACKET | |
| 14 | 581A0174 | 1 | GEAR COMPRESSOR | |
| 15 | 31112151 | 4 | SCREW TE M8X25 UNI 5739 8G | |
| 16 | 31112219 | 4 | SCREW TE M10X25 UNI 5739 | |
| 17 | 31112904 | 5 | SCREW TE M12X1,25X30 UNI5740 | |
| 18 | F0843843060 | 13 | WASHER 12 | |
| 19 | 31211080 | 2 | NUT M8 | |
| 20 | 31112910 | 1 | SCREW TE M10X1,25X25 UNI5740 | |
| 21 | F0843755000 | 1 | WASHER 10 | |

SERIAL

ENGINE
Engine: 60 CV

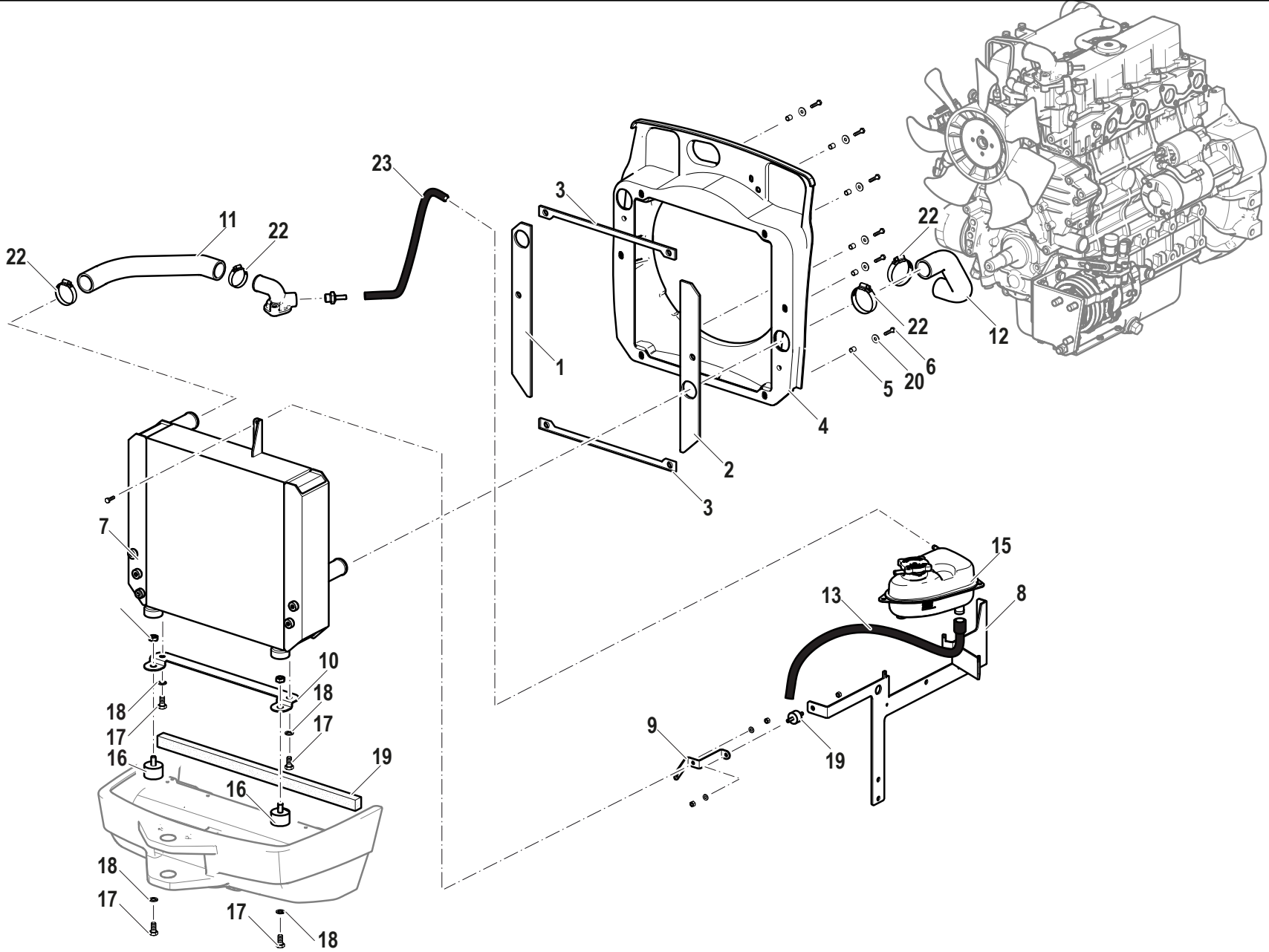
CODE REV

A.01.02.L20003_0



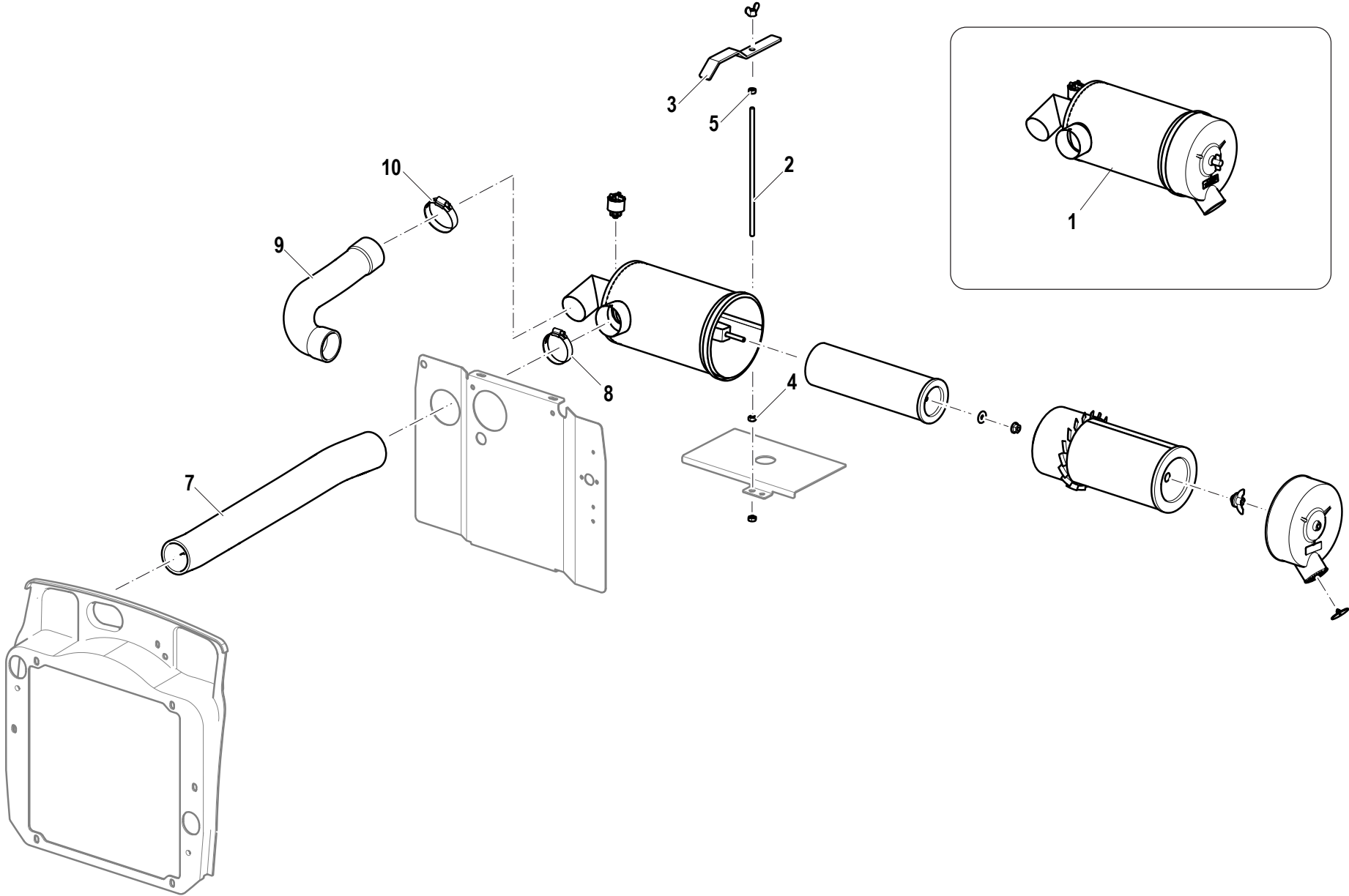
| Pos. | Code | Q.ty | Description | Notes |
|------|-------------|------|--|-------|
| 1 | 59077107 | 1 | BRACKET | |
| 3 | 59077101 | 1 | ACCEL. PEDAL | |
| 4 | 30030016 | 1 | BUSHING 14x25 | |
| 5 | 56377112 | 1 | SCREW | |
| 6 | 31241101 | 1 | SELFLOCK NUT M10 | |
| 7 | 57377110 | 1 | FOOT REST | |
| 8 | 57377106 | 1 | PULLEY | |
| 9 | 56375436 | 1 | HINGE PIN | |
| 10 | 56177648 | 1 | GUIDE PIN | |
| 11 | 31231080 | 2 | NUT M8 | |
| 12 | F0843643060 | 2 | WASHER 8 | |
| 13 | 58073227 | 1 | SPRING | |
| 15 | 55277307 | 1 | BELLOWS | |
| 17 | 31132562 | 2 | SCREW TSVEI M6X16 UNI 5933 | |
| 18 | 561A3105 | 1 | STAFFA FISS.REG.CAVI ACCEL.K60 | |
| 19 | 31112087 | 2 | SCREW TE M6X22 UNI 5739 8G | |
| 20 | F0843570000 | 2 | WASHER 6 | |
| 21 | 561A3104 | 1 | STAFFA FISS.MOZZO-CAVI ACC.K60 | |
| 22 | 31111091 | 1 | SCREW E M6X14 UNI 5739 8G | |
| 23 | 31211060 | 1 | NUT M6 | |
| 24 | F0843570000 | 1 | WASHER 6 | |
| 25 | 530A3103 | 1 | MOZZO CARRUCOLA ACCEL.K60 | |
| 26 | 31111089 | 1 | SCREW TE M5X10 UNI 5739 8G | |
| 27 | F0843561000 | 1 | WASHER 5 | |
| 28 | 561A3118 | 1 | COLONNETTA AGG.MOLLA ACCEL.K60 | |
| 29 | 580A3099 | 2 | COMPLETE CABLE FOR ACCELERATOR PEDAL K60 | |
| 30 | 580A3102 | 1 | CAVO COM.ACCEL.MANO K60-REV- | |
| 31 | 561A3106 | 3 | MORSETTO CAVO ACCEL.K60 | |
| 32 | 31152040 | 3 | SCREW TCEI M3x8 UNI 5931 ZNT/B | |

RADIATOR

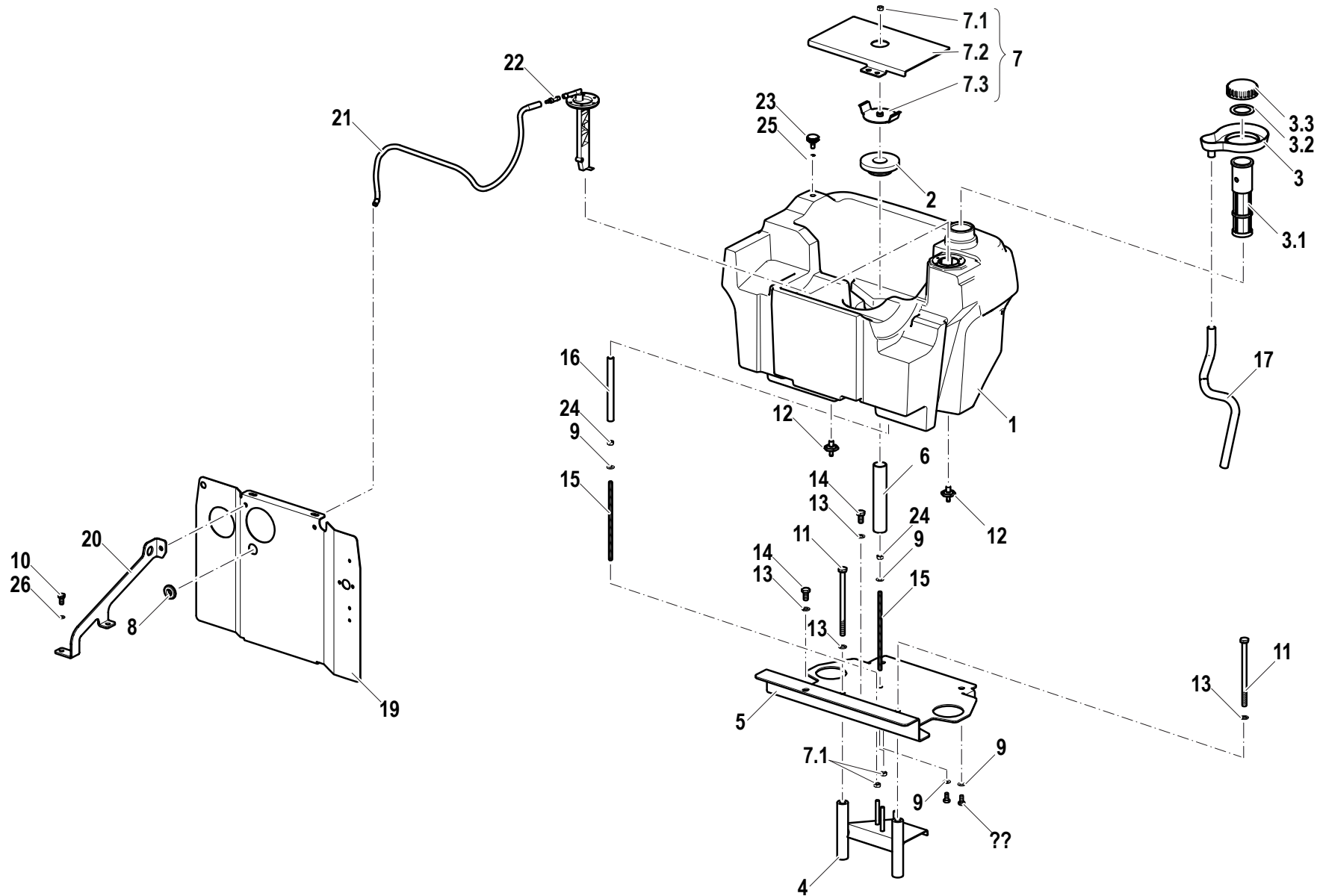


| Pos. | Code | Q.ty | Description | Notes |
|------|-------------|------|--------------------------------|-------|
| 1 | 581A2791 | 1 | GUARN.DX RADIAT-CONV.K60 | |
| 2 | 581A2789 | 1 | GUARN.SX RADIAT-CONV.K60 | |
| 3 | 581A2790 | 2 | GUARN.SUP-INF.RADIAT-CONV.K60 | |
| 4 | 573A2200 | 1 | CONVOGLIATORE COMPLETO K60 | |
| 5 | 561A2972 | 6 | DIST.D.10x7/11 ZNT/B | |
| 6 | 31112089 | 6 | SCREW TE M6X25 UNI 5739 8G | |
| 7 | 581A2199 | 1 | RADIATORE 5 RANGHI K60-L60 | |
| 8 | 561A3085 | 1 | STAFFA SUPP.VASCHETTA K60 | |
| 9 | 561A2970 | 1 | STAFFA FIS.RADI-CONVOG.K60 grz | |
| 10 | 590A2944 | 1 | STAFFA INF.FISS.RADIATORE K60 | |
| 11 | 551A2222 | 1 | MANICOTTO ENTR.ACQ.RADIAT.K60 | |
| 12 | 551A2797 | 1 | MANICOTTO USCITA RADIATORE K60 | |
| 13 | 580A1040 | 1 | TUBO VASCH-POMPA ACQUA 85-95 | |
| 15 | 58093053 | 1 | CUP | |
| 16 | 58179783 | 2 | SILENT-BLOCK | |
| 17 | 31112210 | 4 | SCREW TE M10X20 UNI 5739 | |
| 18 | F0843755000 | 4 | WASHER 10 | |
| 19 | 30010250 | 1 | SILENT BLOCK | |
| 19 | 573A0622 | 1 | SPUGNA TENUTA RADIATORE 55-65 | |
| 20 | F0843570000 | 6 | WASHER 6 | |

AIR FILTER

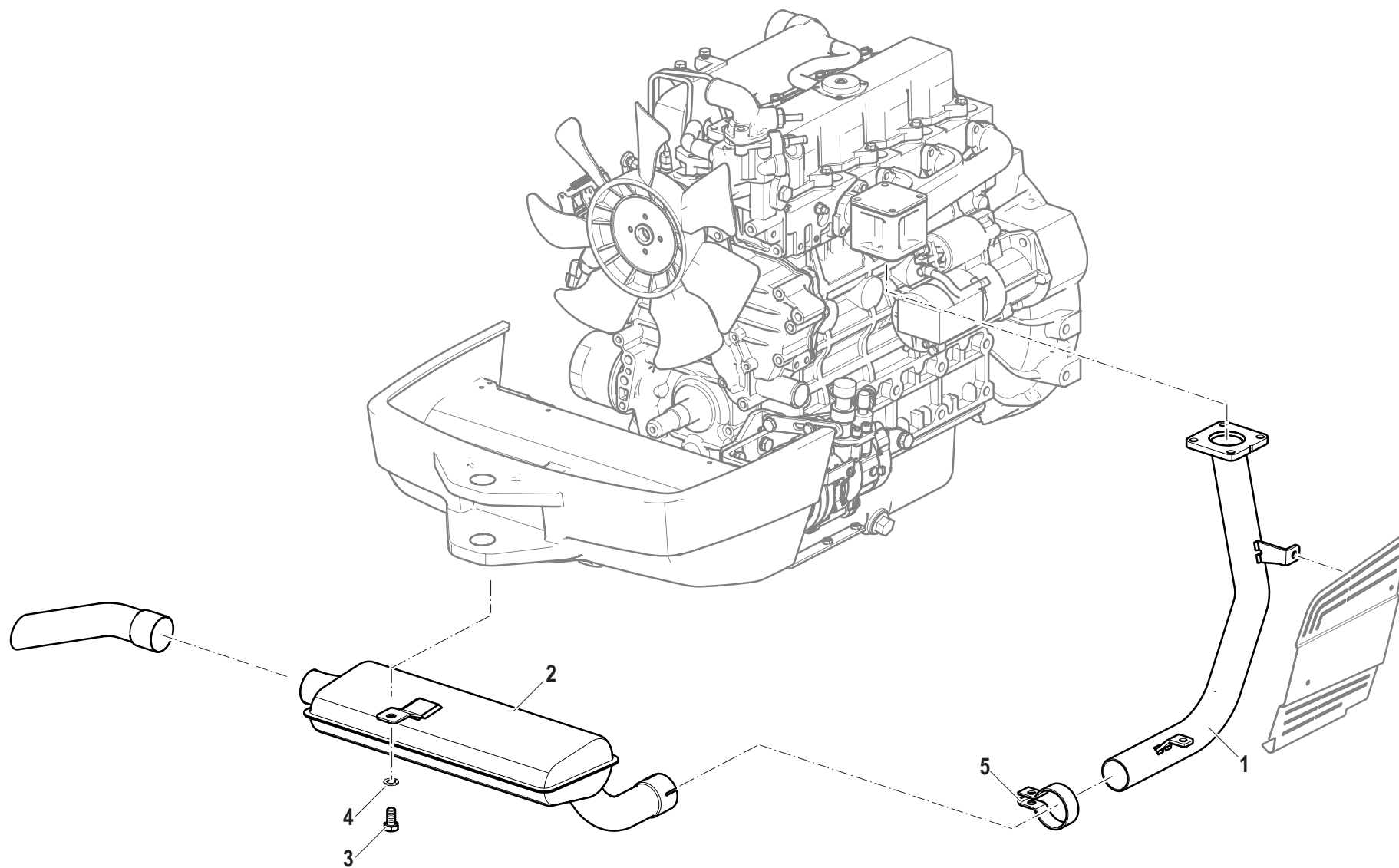


| Pos. | Code | Q.ty | Description | Notes |
|------|----------|------|--------------------------------|-------|
| 1 | 581A2235 | 1 | FILTRO ARIA FCK6-18186-C9 | |
| 2 | 560A2995 | 1 | TIRANTE M8x275 CL.4.8 ZNT/B | |
| 3 | 561A0081 | 1 | FIXING BRACKET | |
| 4 | 31211080 | 1 | NUT M8 | |
| 5 | 31200501 | 1 | NUT M8 | |
| 7 | 58076753 | 1 | SUCTION PIPE | |
| 8 | 30021180 | 1 | CLAMP 60-80 SX9CW1060080 | |
| 9 | 551A2224 | 1 | MAN.FILTRO ARIA-COLLET.ASP.K60 | |
| 10 | 30021170 | 2 | CLAMP 50-70 SX9CW1050070 | |

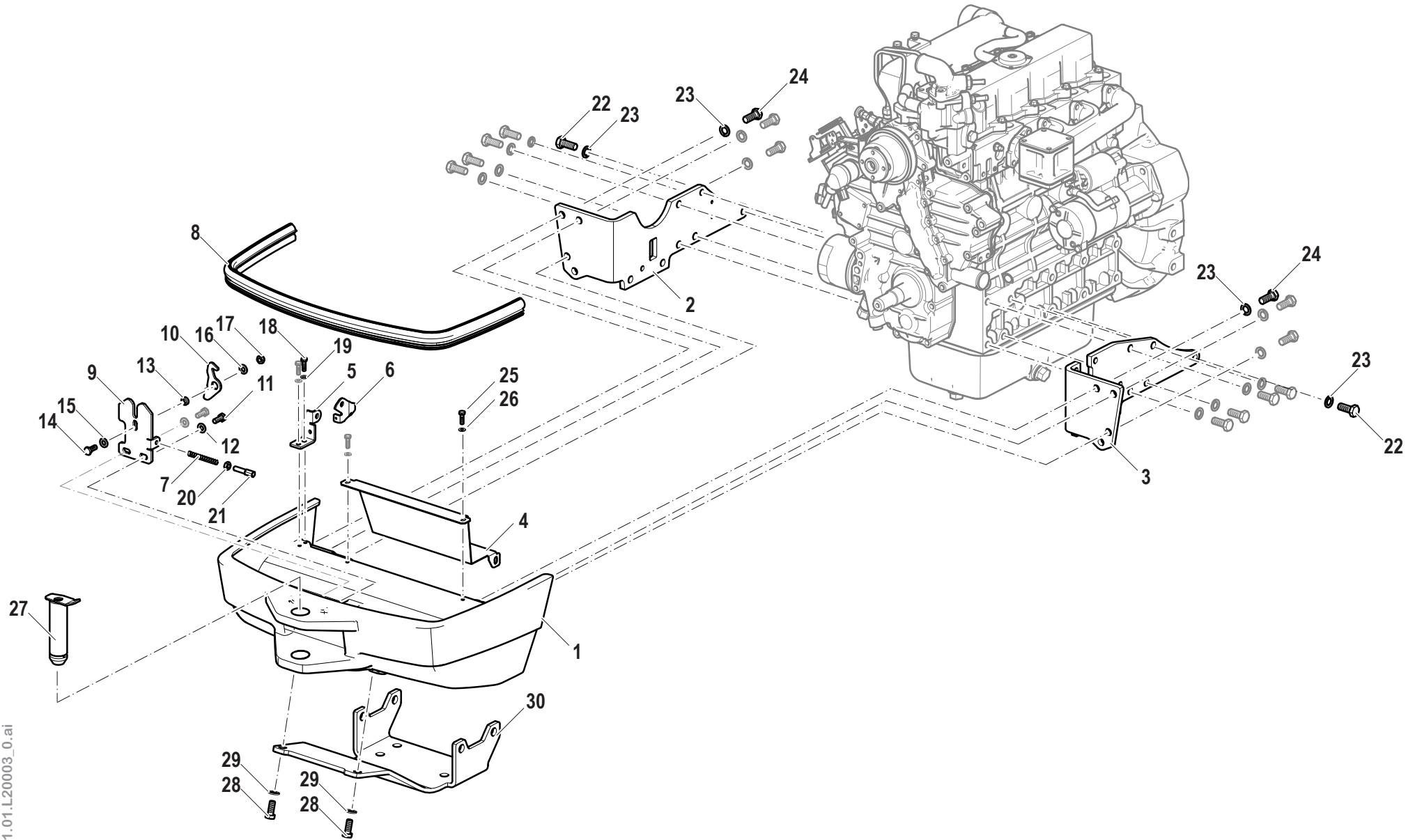


| Pos. | Code | Q.ty | Description | Notes |
|------|-------------|------|--------------------------------|-------|
| 1 | 552A2212 | 1 | SERBATOIO CARBURANTE K60 | |
| 2 | 580A2216 | 1 | TAMPONE FISS.SERBATOIO K60 | |
| 3 | 580A2234 | 1 | RACCOGLITORE GASOLIO K60 | |
| 4 | 590A2913 | 1 | STAFFA FISS.SUPP.SERBATOIO K60 | |
| 5 | 590A2914 | 1 | PIASTRA FISS.SERBATOIO K60 | |
| 6 | 561A2993 | 2 | DIST.D.30x25/164 ZNT/B | |
| 7 | 590A2994 | 1 | PIASTRA APPOGGIO BATTERIA K60 | |
| 8 | 57371900 | 1 | LINING | |
| 9 | 31411084 | 4 | WASHER 8,4x17 | |
| 10 | 31111151 | 1 | SCREW TE M8X16 UNI 5739 8G | |
| 11 | 31111700 | 2 | SCREW TE M10X160 UNI 5737 8G | |
| 12 | 571A2278 | 2 | PORTA GOMMA D.6,8 M10x1(BCS10) | |
| 13 | F0843755000 | 4 | WASHER 10 | |
| 14 | 31112210 | 2 | SCREW TE M10X20 UNI 5739 | |
| 15 | 56077608 | 2 | ROD | |
| 16 | 580A3072 | 1 | TUBO CARBOPRESS(4x9)L=850 | |
| 17 | 580A3072 | 1 | TUBO CARBOPRESS(4x9)L=850 | |
| 19 | 590A3082 | 1 | PARAT.SERBATOIO MOTORE K60 | |
| 20 | 561A3086 | 1 | STAFFA FISS.PARATIA K60 | |
| 21 | 580A3112 | 1 | TUBO CARBOPRESS(4x9)L=740 | |
| 22 | 56172950 | 1 | PIPE FITTING | |
| 24 | 31211080 | 3 | NUT M8 | |

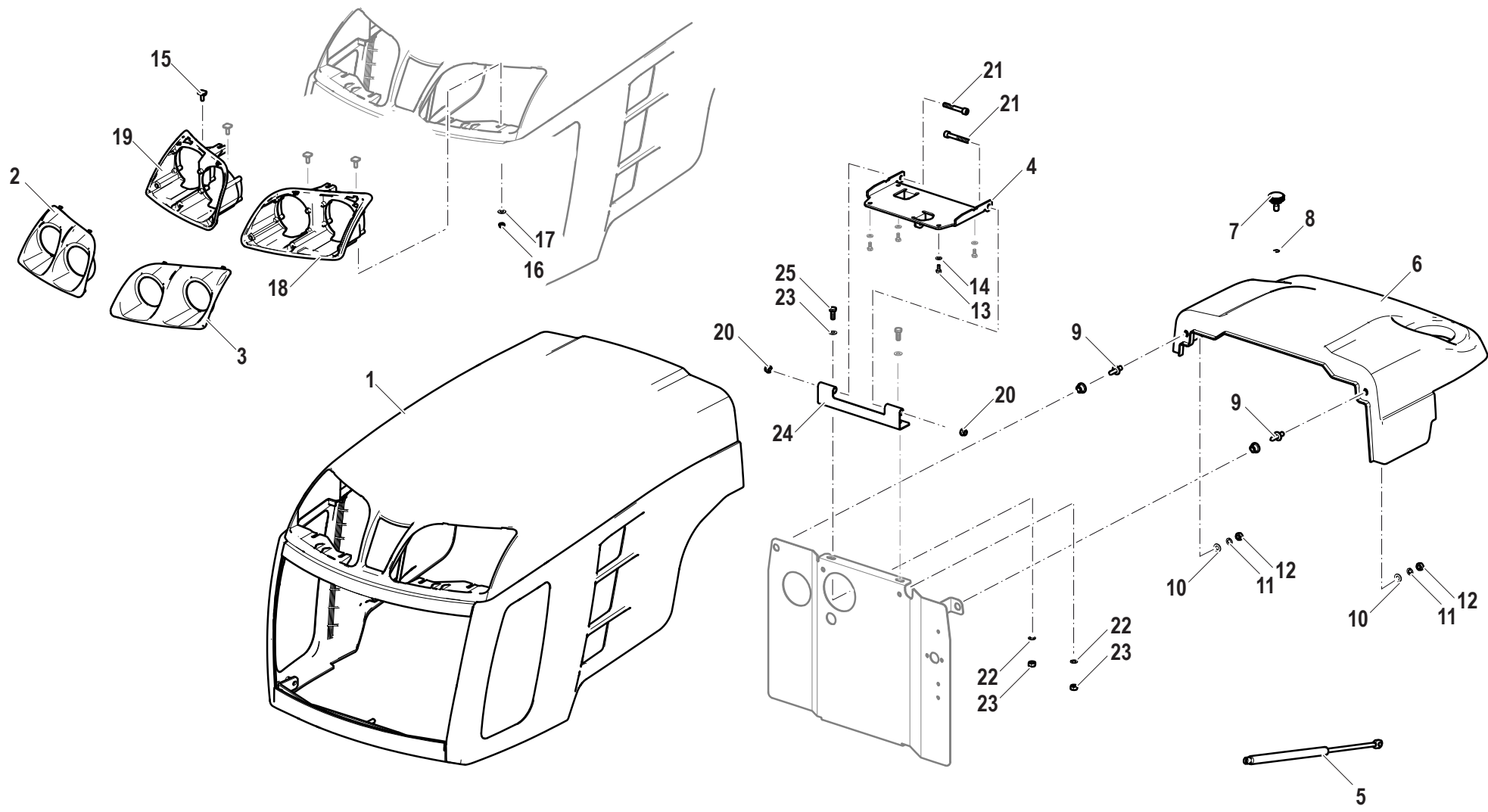
MUFFLER



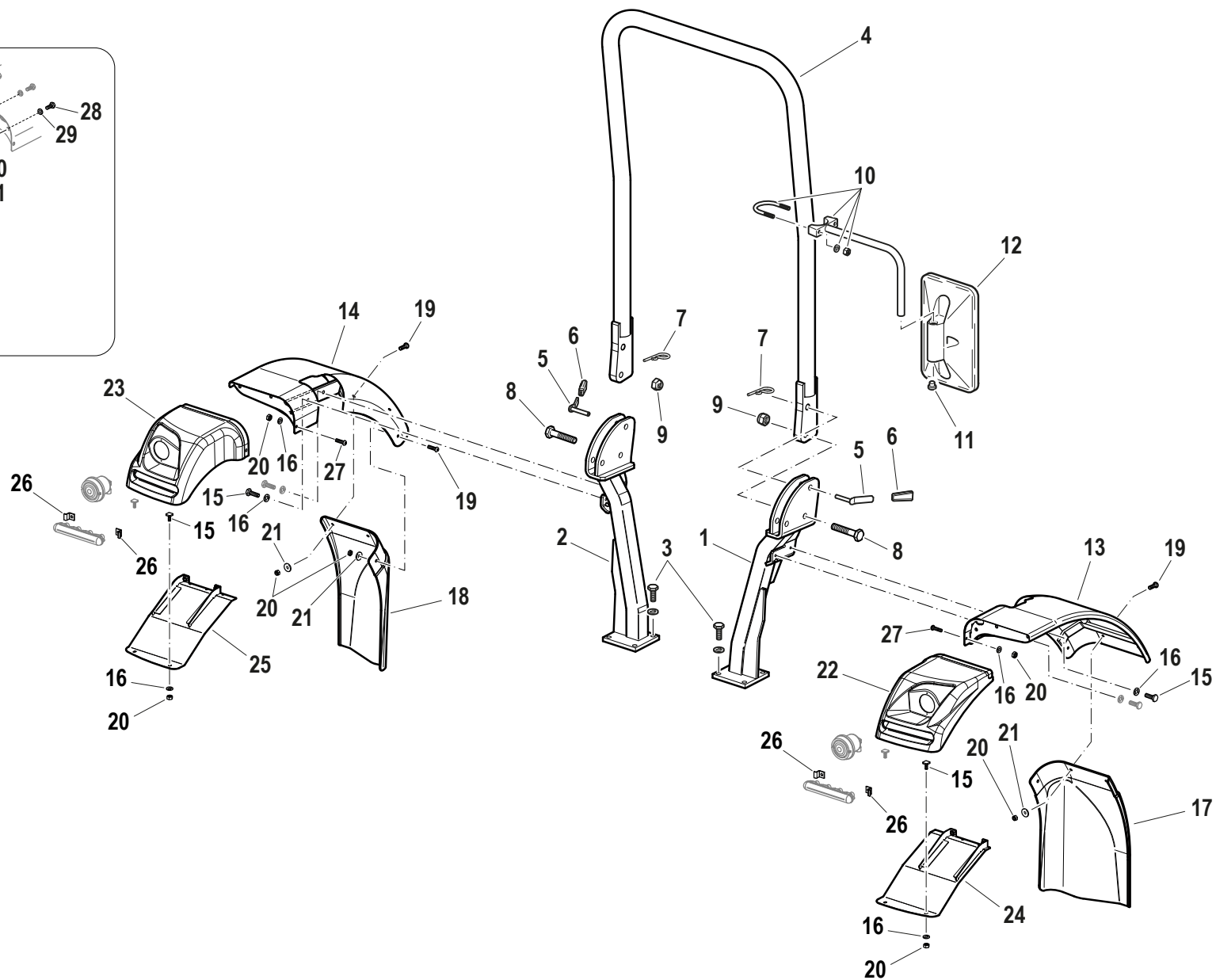
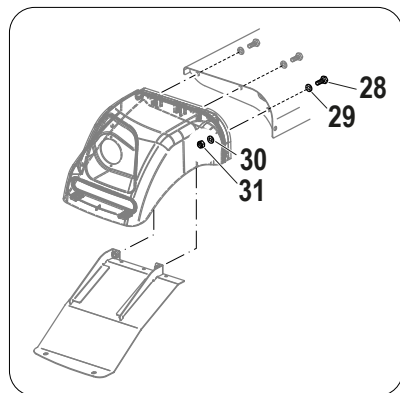
| Pos. | Code | Q.ty | Description | Notes |
|------|-------------|------|------------------------------|-------|
| 1 | 590A2214 | 1 | TUBO DI SCARICO GREZZO K60 | |
| 2 | 581A2213 | 1 | SIL.SCARICO GREZZO K60-L60 | |
| 3 | 31112151 | 1 | SCREW TE M8X25 UNI 5739 8G | |
| 4 | F0843643060 | 1 | WASHER 8 | |
| 5 | 581A2805 | 1 | COLLARE SILENZIATORE BeB F47 | |



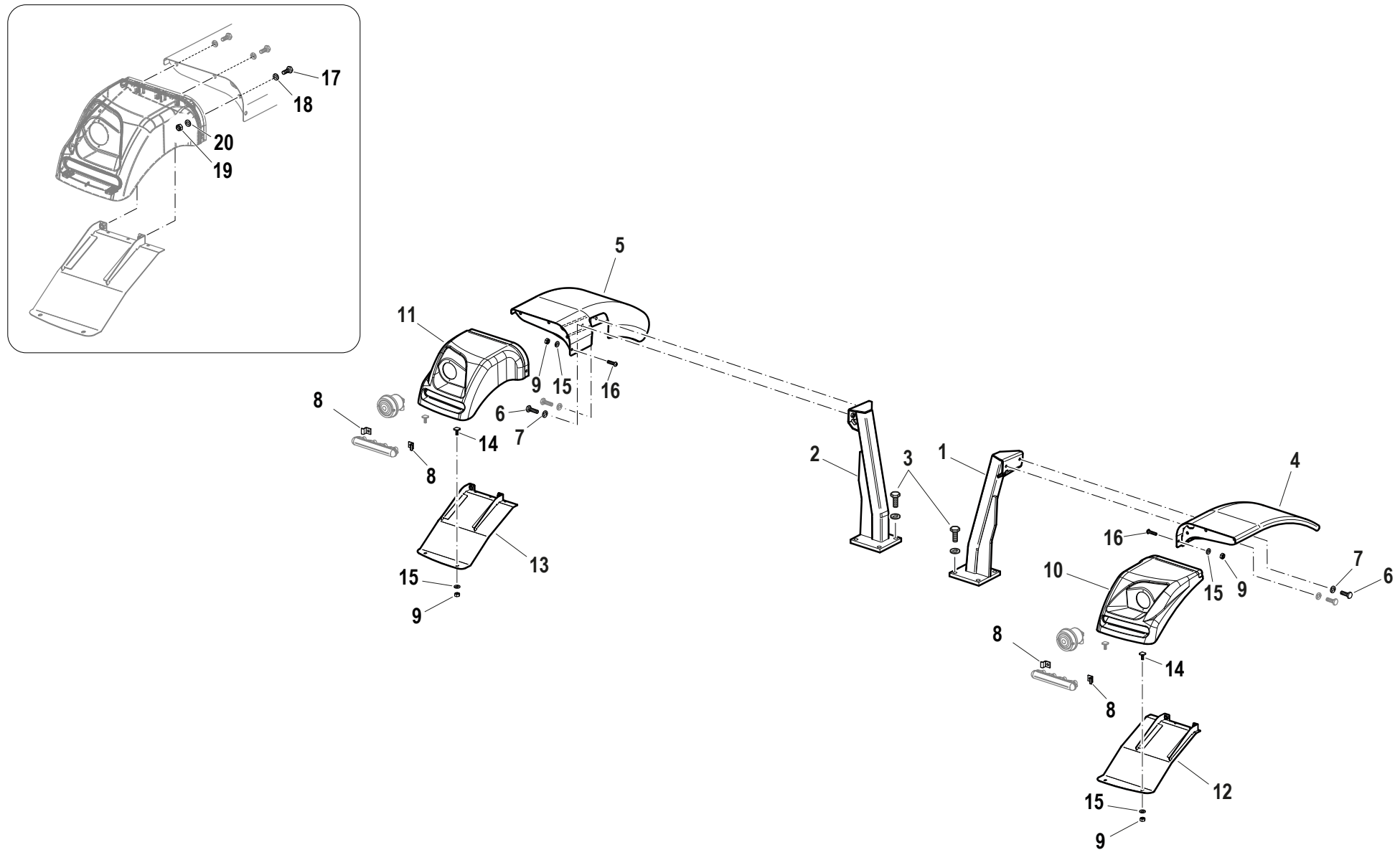
| Pos. | Code | Q.ty | Description | Notes |
|------|-------------|------|--------------------------------------|-------|
| 1 | 511A2198N | 1 | FRONT SUPPORT K60-L60(A2198) -BLACK- | |
| 2 | 590A2204N | 1 | LONGH.DX SUPP.RADIAT.K60-NERO- | |
| 3 | 590A2802N | 1 | LONGH.SX SUPP.RADIAT.K60-NERO- | |
| 4 | 561A2814 | 1 | PARATIA ANTICAL.INFER.K60 | |
| 5 | 561A3069 | 1 | SUPP.LEVA SGANCIO COF.K60-L60 | |
| 6 | 561A3070 | 1 | LEVA SGANCIO COFANO K60-L60 | |
| 7 | F0831065000 | 1 | SPRING | |
| 8 | 28177274 | 1 | GASCKET RIF.182400153.945 | |
| 9 | 56179625 | 1 | FIXING BRACKET | |
| 10 | 56174658 | 1 | HOOD HOOK | |
| 11 | 31112150 | 2 | SCREW TE M8X20 UNI 5739 8G | |
| 12 | 31411084 | 2 | WASHER 8,4x17 | |
| 13 | 56174659 | 1 | SPACER | |
| 14 | 31112151 | 1 | SCREW TE M8X25 UNI 5739 8G | |
| 15 | 31411084 | 1 | WASHER 8,4x17 | |
| 16 | 31411090 | 1 | WASHER 9x24 | |
| 17 | 31241080 | 1 | SELFLOCK NUT M8 | |
| 18 | 31112082 | 2 | SCREW TE M6X12 UNI 5739 8G | |
| 19 | F0843570000 | 2 | WASHER 6 | |
| 20 | 31231080 | 1 | NUT M8 | |
| 21 | 58048002 | 1 | CLAMPING SCREW | |
| 22 | 31112904 | 10 | SCREW TE M12X1,25X30 UNI5740 | |
| 23 | F0843843060 | 16 | WASHER 12 | |
| 24 | 31112272 | 6 | SCREW TE M12X30 UNI 5739 | |
| 25 | 31112093 | 2 | SCREW TE M6X20 UNI 5739 8G | |
| 26 | 31211060 | 2 | NUT M6 | |
| 27 | 590A2721 | 1 | PERNO TRAINO ANT.K30-K40-K60 | |
| 28 | 31112210 | 2 | SCREW TE M10X20 UNI 5739 | |
| 29 | F0843755000 | 2 | WASHER 10 | |
| 30 | 590A2944 | 1 | STAFFA INF.FISS.RADIATORE K60 | |



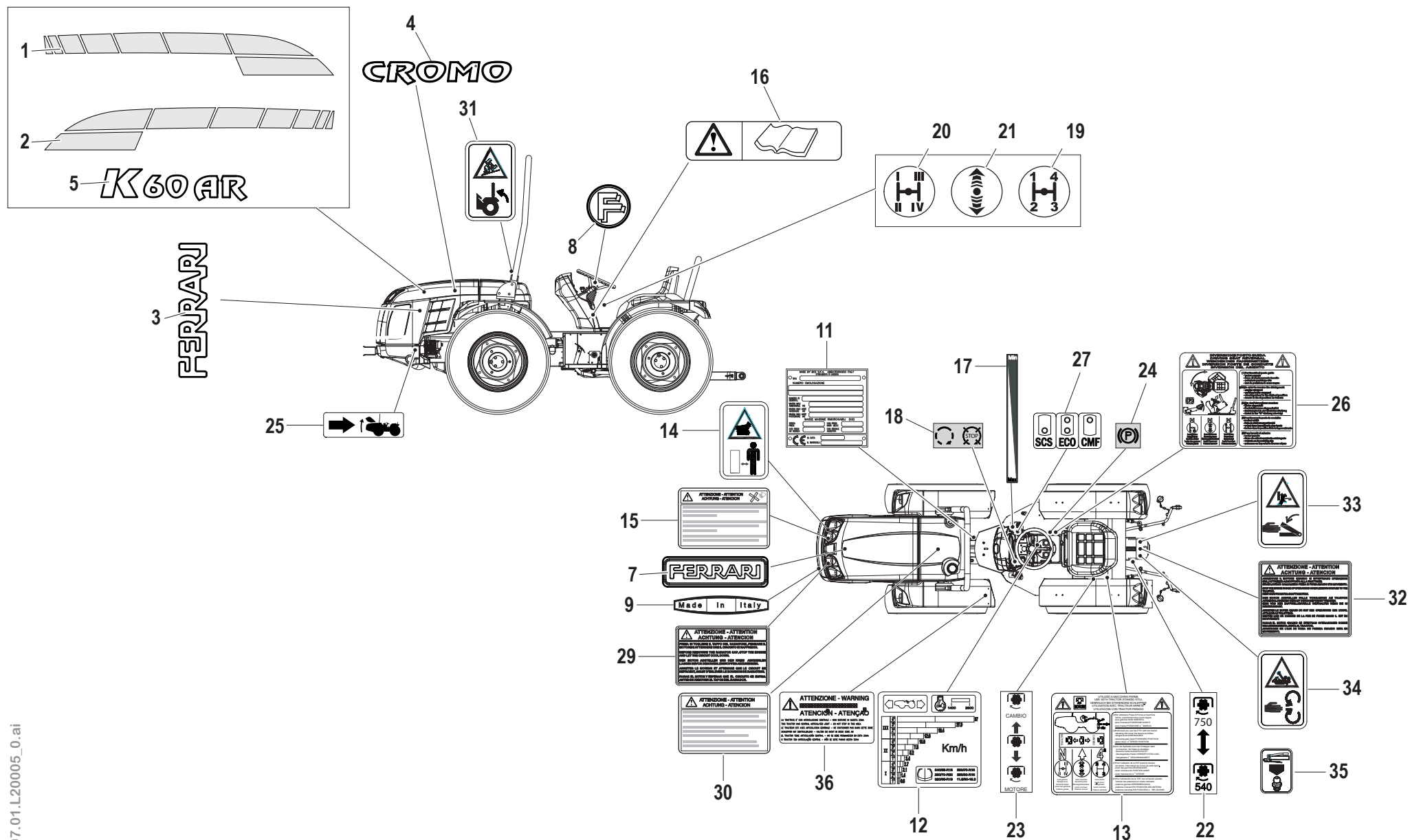
| Pos. | Code | Q.ty | Description | Notes |
|------|-------------|------|-------------------------------|-------|
| 1 | 590A2220V | 1 | COFANO FERRARI K60-L60 VERDE | |
| 2 | 55279867 | 1 | COVER | |
| 3 | 55279866 | 1 | COVER | |
| 4 | 561A2236 | 1 | PIASTRA INCERN.COFANO K60-L60 | |
| 5 | 58092972 | 1 | SPRING | |
| 6 | 573A2215V | 1 | COPERT.SERBAT(A2215)VERDE | |
| 7 | 56174835 | 1 | KNOB | |
| 8 | 35211060 | 1 | SEEGER RING E 6 UNI 7434 | |
| 9 | 561A3068 | 2 | PERNO CENTRAGGIO COPERTURE | |
| 10 | 31411084 | 2 | WASHER 8,4x17 | |
| 11 | F0843643060 | 2 | WASHER 8 | |
| 12 | 31211080 | 2 | NUT M8 | |
| 13 | 31111091 | 4 | SCREW E M6X14 UNI 5739 8G | |
| 14 | F0843570000 | 4 | WASHER 6 | |
| 15 | 58079929 | 4 | SCREW | |
| 16 | 31411064 | 6 | WASHER 6,4x12,5 | |
| 17 | F0814547000 | 4 | SELFLOCK NUT M6 | |
| 18 | 55279866 | 1 | COVER | |
| 19 | 55279867 | 1 | COVER | |
| 20 | 31241081 | 2 | SELFLOCK NUT M8 | |
| 21 | 31152088 | 2 | SCREW TCEI M8X55 UNI 5931 | |
| 22 | F0843643060 | 2 | WASHER 8 | |
| 23 | 31211080 | 2 | NUT M8 | |
| 24 | 561A0084 | 1 | HOOD HINGE | |
| 25 | 31112150 | 2 | SCREW TE M8X20 UNI 5739 8G | |



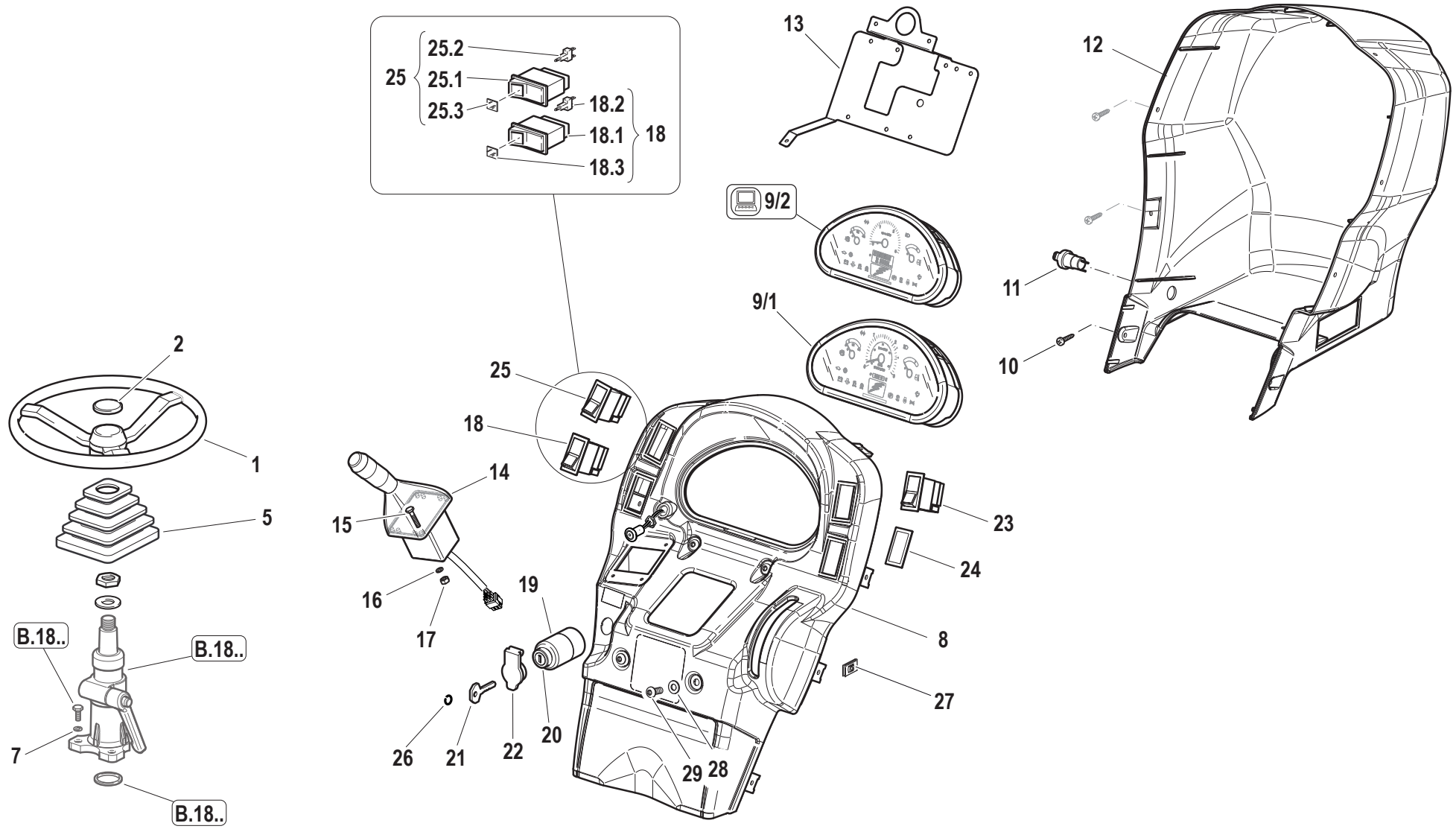
| Pos. | Code | Q.ty | Description | Notes |
|------|--------------|------|--------------------------------|-------|
| 1 | 59079844 | 1 | LEFT SUPPORTING COLUMN | |
| 2 | 59079845 | 1 | RIGHT SUPPORTING COLUMN | |
| 3 | 31112272 | 8 | SCREW TE M12X30 UNI 5739 | |
| 4 | 590A2254 | 1 | ARCO DI SICUR.ANT.K60-V65-L60 | |
| 5 | 59076690 | 2 | HINGE PIN | |
| 6 | P91728000000 | 2 | GRIP | |
| 7 | P43914900000 | 2 | SPLIT PIN | |
| 8 | F0864377000 | 2 | SCREW M16X70 UNI 5737 | |
| 9 | F0814794000 | 2 | SELFLOCK NUT M16 CL.6 | |
| 10 | 561A2371 | 1 | MORS.MASCHIO SPECC.RETROV. grz | |
| 11 | 590A2372 | 1 | MORS.FEMMINA SPECC.RETROV.grz | |
| 12 | 580A2365 | 1 | SPECCHIO RETROVISORE 6169001 | |
| 13 | 590A1992V | 1 | LEFT FRONT FENDER | |
| 14 | 590A1993V | 1 | RIGHT FRONT FENDER | |
| 15 | 58079929 | 8 | SCREW | |
| 16 | 31411064 | 8 | WASHER 6,4x12,5 | |
| 17 | 57379953 | 1 | WING EXTENSION | |
| 18 | 57379954 | 1 | WING EXTENSION | |
| 19 | 31121006 | 6 | SCREW TBCEI M6X16 ISO 7380 | |
| 20 | F0814547000 | 6 | SELFLOCK NUT M6 | |
| 21 | 31411066 | 12 | WASHER 6,6x18 | |
| 22 | 55279804 | 1 | LAMP HOLDER | |
| 23 | 55279805 | 1 | LAMP HOLDER | |
| 24 | 590A0849 | 1 | GUARD | |
| 25 | 590A0848 | 1 | GUARD | |
| 26 | 56177045 | 8 | RETAINER | |
| 27 | F0862479020 | 2 | SCREW M8X16 7380 | |
| 28 | 31111151 | 6 | SCREW TE M8X16 UNI 5739 8G | |
| 29 | 31411084 | 6 | WASHER 8,4x17 | |
| 30 | F0843643060 | 6 | WASHER 8 | |
| 31 | 31211080 | 6 | NUT M8 | |



| Pos. | Code | Q.ty | Description | Notes |
|------|-------------|------|----------------------------|-------|
| 0 | 31111151 | 6 | SCREW TE M8X16 UNI 5739 8G | |
| 0 | 31211080 | 6 | NUT M8 | |
| 0 | 31411084 | 6 | WASHER 8,4x17 | |
| 0 | F0843643060 | 6 | WASHER 8 | |
| 0 | F0862479020 | 2 | SCREW M8X16 7380 | |
| 1 | 590A0063 | 1 | WING HOLDER | |
| 2 | 590A0064 | 1 | WING HOLDER | |
| 3 | 31112272 | 8 | SCREW TE M12X30 UNI 5739 | |
| 4 | 590A2002V | 1 | LEFT FRONT FENDER | |
| 5 | 590A2003V | 1 | RIGHT FRONT FENDER | |
| 6 | 31112150 | 4 | SCREW TE M8X20 UNI 5739 8G | |
| 7 | F0843643060 | 4 | WASHER 8 | |
| 8 | 56177045 | 8 | RETAINER | |
| 9 | F0814547000 | 8 | SELFLOCK NUT M6 | |
| 10 | 55279804 | 1 | LAMP HOLDER | |
| 11 | 55279805 | 1 | LAMP HOLDER | |
| 12 | 590A0849 | 1 | GUARD | |
| 13 | 590A0848 | 1 | GUARD | |
| 14 | 58079929 | 8 | SCREW | |
| 15 | 31411064 | 8 | WASHER 6,4x12,5 | |



| Pos. | Code | Q.ty | Description | Notes |
|------|----------|------|-------------------------------|-------|
| 1 | 580A2865 | 1 | ADESIVO FREGIO DX FERRARI K60 | |
| 2 | 580A2864 | 1 | ADESIVO FREGIO SX FERRARI K60 | |
| 3 | 580A2895 | 2 | DECAL | |
| 4 | 580A3121 | 2 | ADES.SCRITTA CROMO(FERRARI) * | |
| 5 | 580A2866 | 2 | ADESIVO K60 AR DX-SX FERRARI | |
| 7 | 580A2171 | 1 | DECAL | |
| 8 | 580A1121 | 1 | DECAL | |
| 9 | 580A2179 | 1 | DECAL | |
| 10 | 580A1023 | 1 | PLATE | |
| 11 | 580A3133 | 1 | ADES.VEL.MACCHINA K60-V65-L60 | |
| 12 | 58076077 | 1 | DECAL | |
| 13 | 580A1016 | 1 | DECAL | |
| 14 | 580A1039 | 1 | FAN WARNING PLATE | |
| 15 | 58074880 | 1 | PLATE | |
| 16 | 58077047 | 1 | DECAL | |
| 17 | 58072511 | 1 | INSTRUCTION PLATE | |
| 18 | 580A1581 | 1 | DECAL | |
| 19 | 580A1580 | 1 | DECAL | |
| 20 | 580A1583 | 1 | DECAL | |
| 21 | 58072573 | 1 | PLATE | |
| 22 | 58072575 | 1 | PLATE | |
| 23 | 58072510 | 1 | INSTRUCTION PLATE | |
| 24 | 58074841 | 1 | DECAL | |
| 25 | 580A0572 | 1 | DECAL | |
| 26 | 580A0285 | 1 | DECAL | |
| 28 | 580A1038 | 1 | PLATE | |
| 29 | 58173775 | 1 | PLATE | |
| 30 | 580A1605 | 1 | DECAL | |
| 31 | 580A1037 | 1 | PLATE | |
| 32 | 580A1606 | 1 | DECAL | |
| 33 | 580A1607 | 1 | DECAL | |
| 34 | 580A1609 | 4 | DECAL | |
| 35 | 580A1608 | 2 | DECAL | |



B.08.01.L20003_0

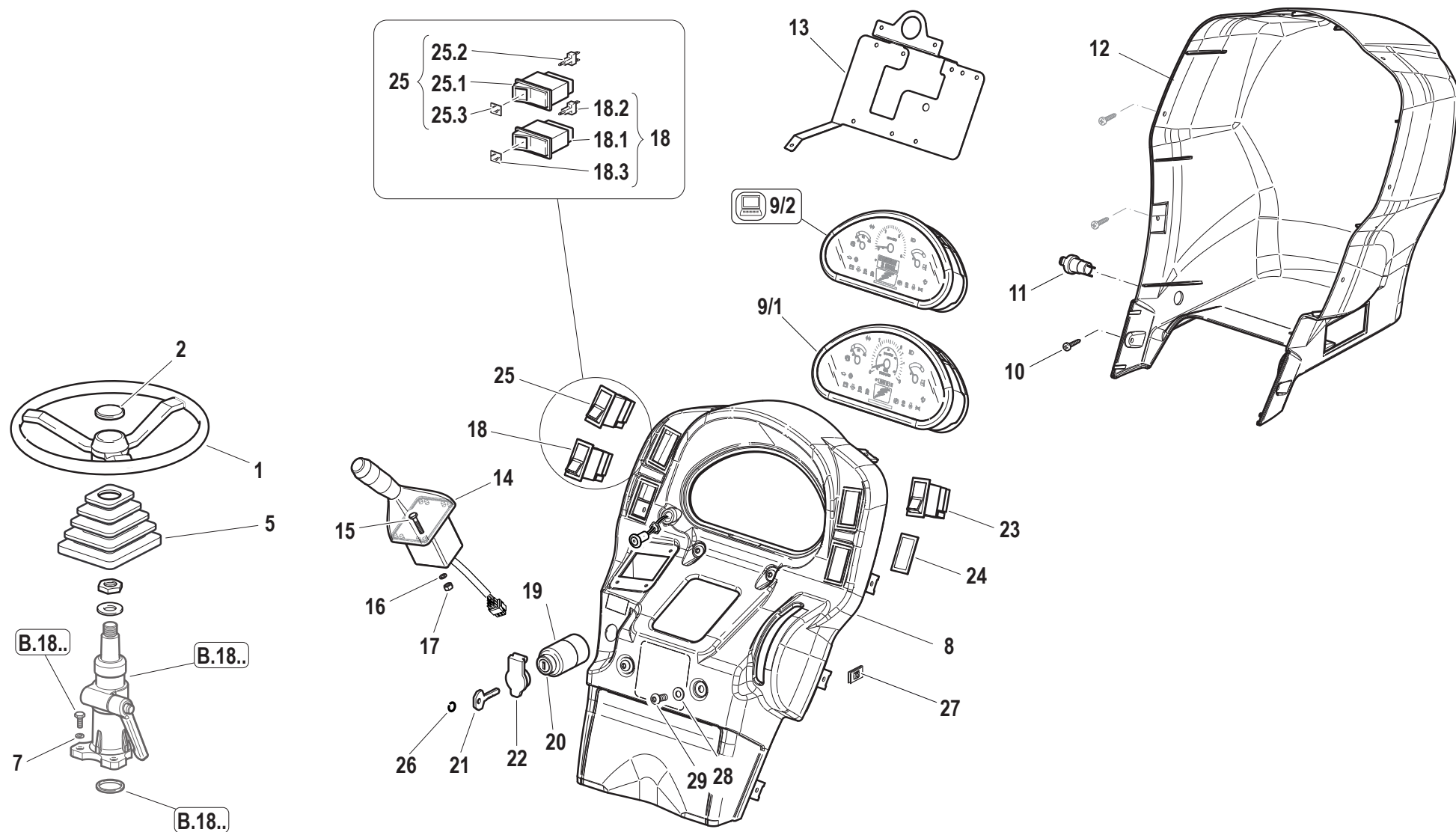
| Pos. | Code | Q.ty | Description | Notes |
|--------|--------------|------|--------------------------------|-------|
| 1 | F0865040000 | 1 | STEERING WHEEL | |
| 2 | F0865040020 | 1 | PLUG | |
| 4 | 56177086 | 1 | CENTERING | |
| 5 | P23810500000 | 1 | BELLOWS | |
| 6 | 31112219 | 4 | SCREW TE M10X25 UNI 5739 | |
| 7 | F0843755000 | 4 | WASHER 10 | |
| 10 | 31510096 | 8 | RIBBED SCREW 4,2X16 | |
| 13 | 561A1007 | 1 | SUPPORT | |
| 14 | 58173345 | 1 | STEERING COLUMN SWITCH UNIT | |
| 15 | 31111084 | 4 | SCREW TE M4X16 UNI 5739 8G | |
| 16 | F0843526000 | 4 | WASHER 4,3x12/1,5 | |
| 17 | 31211040 | 4 | NUT M4 | |
| 18 | 58176593 | 1 | SWITCH | |
| 19 | 30000797 | 1 | CHANGE OVER SWIT | |
| 20 | F0825500210 | 1 | RING NUT | |
| 21 | 580A2134 | 2 | CHIAVE AVVIAM.14.0458.0000.02 | |
| 22 | F0825400060 | 1 | COVER | |
| 23 | F0825115010 | 1 | PUSH-BUTTON | |
| 24 | 58172043 | 1 | FRONT GRILLE | |
| 27 | F0825403050 | 1 | SOCKET | |
| 28 | 581A0029 | 1 | BRIDLE | |
| 25.1 | 58177268 | 1 | CHANGE-OVER SWITCH | |
| 25.2 | 58173120 | 1 | GLASS | |
| 25.3 | 58173119 | 1 | LAMP | |
| 26.1 | 58173116 | 1 | CHANGE-OVER SWITCH | |
| 26.2 | 58173121 | 1 | GLASS | |
| 26.3 | 58173119 | 1 | LAMP | |
| 03-feb | 581A0379 | 1 | UNIT | |
| 03-gen | 58177087 | 1 | SMALL COLUMN | |
| 08-feb | 552A0542 | 1 | INSTRUMENT PANEL | |
| 08-gen | 55279820 | 1 | INSTRUMENT PANEL | |
| 09-feb | 581A3053 | 1 | STRUM.DIGITALE K60 05410054.02 | |
| 09-gen | 581A3051 | 1 | STRUM.ECO ANALOG.V65-K60-L60 * | |
| 12-apr | 573A2267 | 1 | PL.POST.CRUSC.55-65RS-M-JOY- | |

SERIAL

DASHBOARD

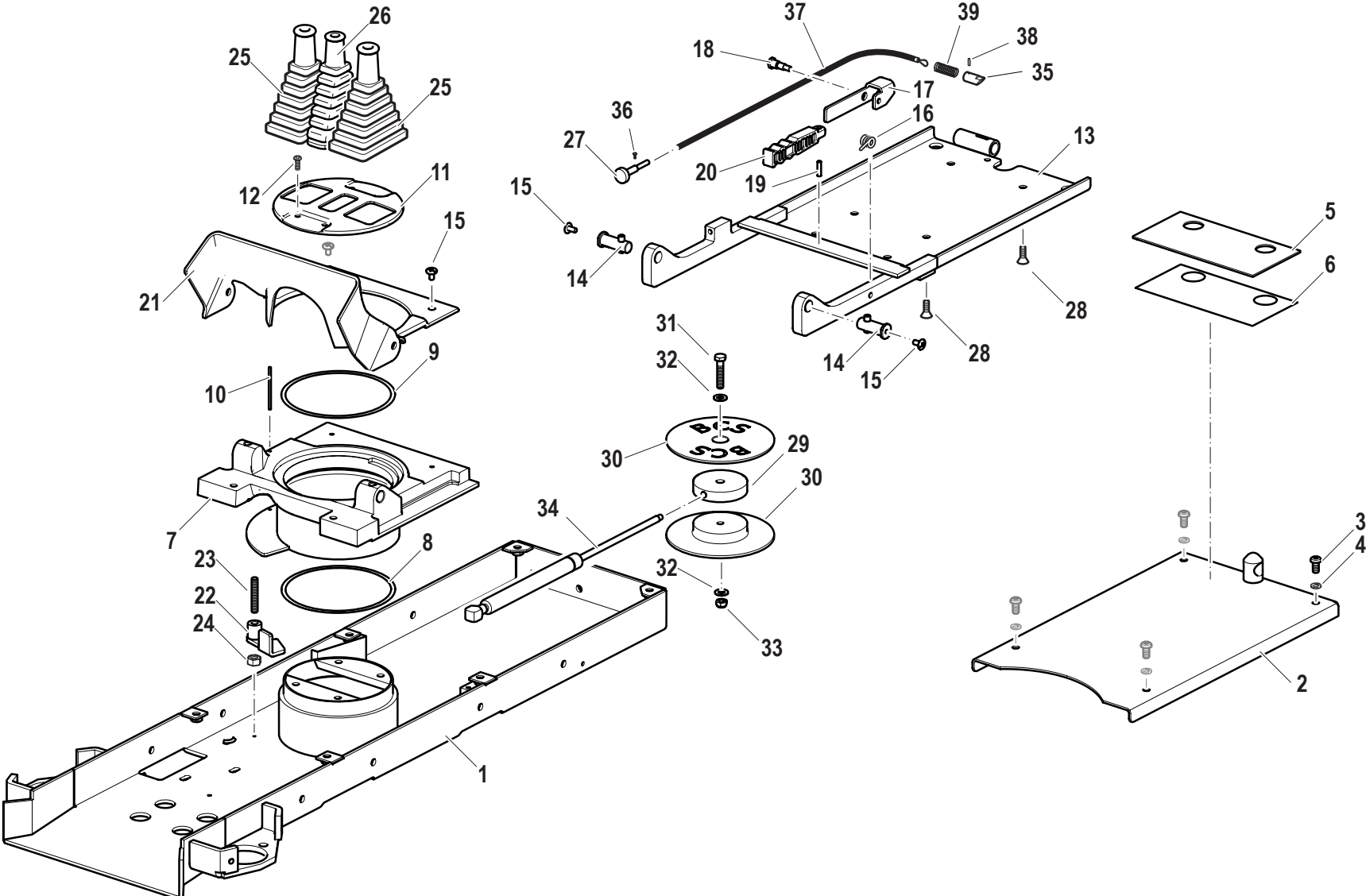
CODE REV

B.08.01.L20003_0



| Pos. | Code | Q.ty | Description | Notes |
|--------|-----------|------|---------------------------|-------|
| 12-feb | 573A0784 | 1 | INSTRUMENT PANEL | |
| 12-gen | 55279823 | 1 | INSTRUMENT PANEL | |
| 12-mar | 55279821V | 1 | PL.POST.CRUSC(79821)VERDE | |

SEAT SUPPORT / GEAR LEVERS COVER



| Pos. | Code | Q.ty | Description | Notes |
|------|-------------|------|--------------------------------|-------|
| 1 | 590A2316 | 1 | SC.CON.TUBI/CAVI K60-V65-REV- | |
| 2 | 590A2339V | 1 | COP.POST.SCAT.(A2339)VERDE | |
| 3 | F0862479020 | 4 | SCREW M8X16 7380 | |
| 4 | 31411084 | 4 | WASHER 8,4x17 | |
| 5 | 573A2622 | 1 | TAPP.SUPP.SEDILE K60-65-REV- | |
| 6 | 580A2623 | 1 | BIADES.SCAPA TAPP.SUPP.SED.GM | |
| 7 | 590A2344 | 1 | TORR.GIREV.COMPL.K60-V65-REV- | |
| 8 | 573A0356 | 1 | GASKET | |
| 9 | 57374545 | 1 | GASKET | |
| 10 | 34221005 | 1 | CYL. PLUG m6 D.3x60 DIN 6325 | |
| 11 | 593A0864 | 1 | FLANGE | |
| 12 | F0863208050 | 4 | SCREW M10X20 UNI 5933 | |
| 13 | 590A2348 | 1 | SUPP.SEDILE K60-V65-REV- | |
| 14 | 561A2353 | 2 | PERNO INC.SUP/SED.K60-V65-REV- | |
| 15 | F0861973100 | 4 | SCREW M6X12 COMBI | |
| 16 | 58074488 | 1 | SPRING | |
| 17 | 563A2358 | 1 | PERNO INC.SUP.SED.K60-V65-REV- | |
| 18 | 561A2357 | 1 | STAF.BL.SUPP.SED.K60-V65REVgrz | |
| 19 | 34211028 | 1 | ROLL PIN | |
| 20 | 58070390 | 1 | SEAT SPRINGS | |
| 21 | 573A2364 | 1 | COP.TORRETTA GIREVOLE K60-V65 | |
| 22 | 590A2648 | 1 | STAF.COM.DIS.INV.FLUS.K6065grz | |
| 23 | 31312087 | 1 | PRIG.M8x40 UNI 5911 8.8 ZNT/B | |
| 24 | 31241081 | 1 | SELFLOCK NUT M8 | |
| 25 | 551A1602 | 2 | SOFFIETTO LEVE MARCE-GAMME | |
| 26 | 551A1601 | 1 | SOFFIETTO LEVA INVERSOE | |
| 27 | 560A0440 | 1 | HANDLE | |
| 28 | 31132566 | 4 | SCREW TSVEI M8X20 UNI 5933 | |
| 29 | 573A0291 | 1 | INTERNO PULEGGIA 55-65-REV- | |
| 30 | 573A1949 | 2 | PULEGGIA K60-65-REV- | |
| 31 | F0862785000 | 1 | SCREW M8X40 UNI 5737 | |
| 32 | 31411084 | 2 | WASHER 8,4x17 | |
| 33 | 31241081 | 1 | SELFLOCK NUT M8 | |
| 34 | 581A2708 | 1 | MOLLA A GAS(7000015748A0) | |

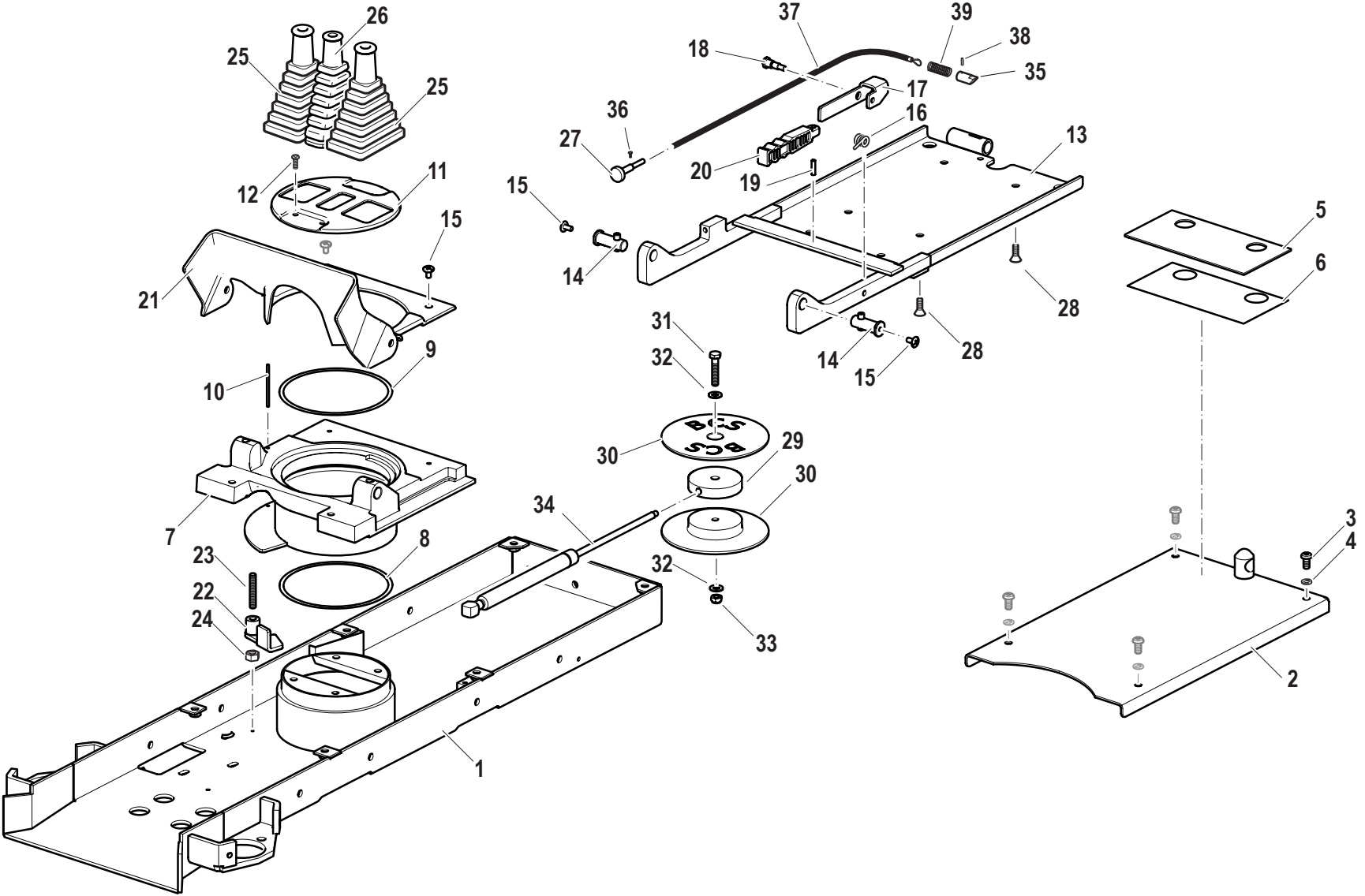
SERIAL

SEAT SUPPORT / GEAR LEVERS COVER

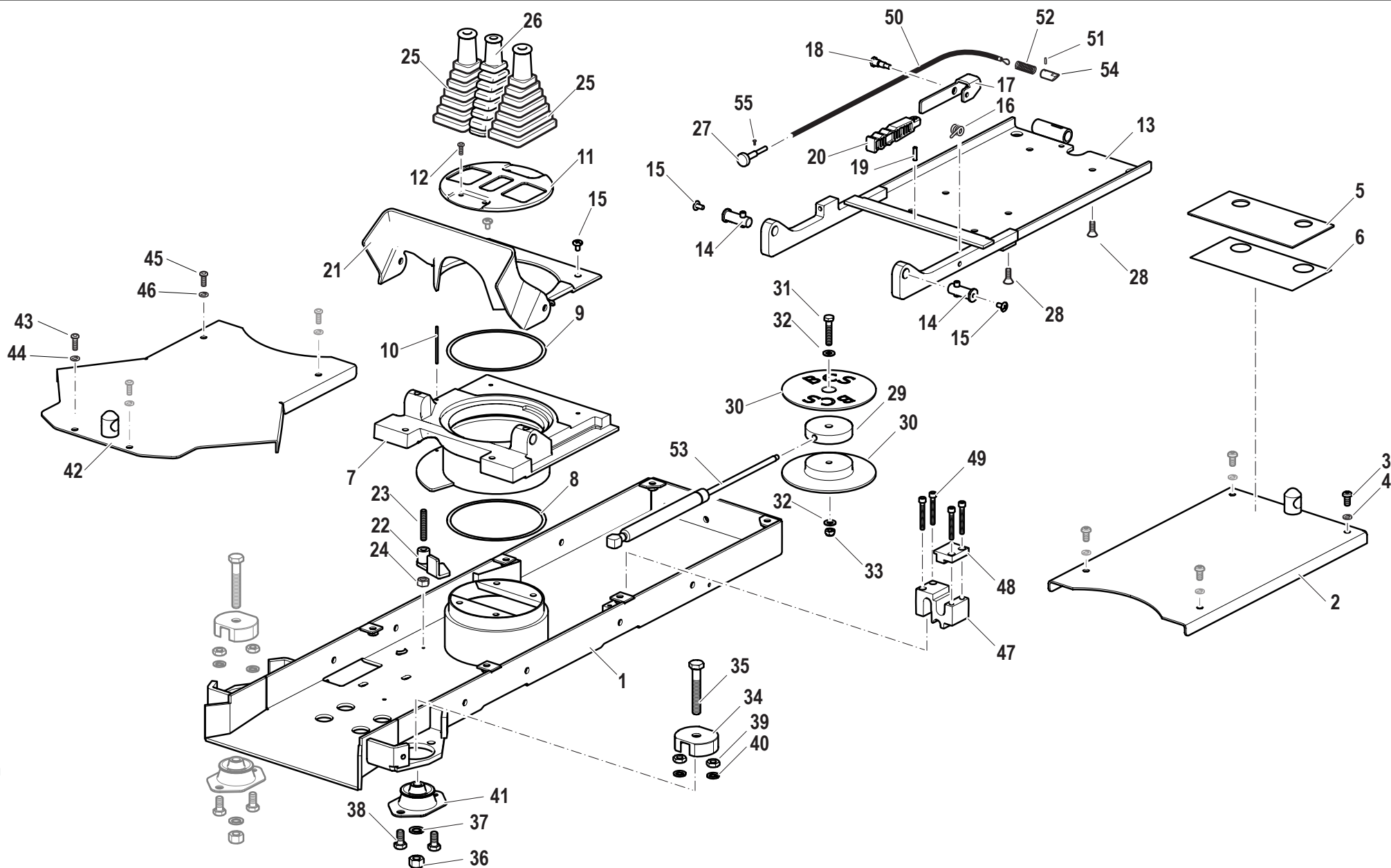
CODE REV

B.09.01.L20006_0

SEAT SUPPORT / GEAR LEVERS COVER



| Pos. | Code | Q.ty | Description | Notes |
|------|----------|------|--------------------------------|-------|
| 35 | 563A2356 | 1 | PERNO BL.SEDILE K60-V65-REV- | |
| 36 | 31112047 | 1 | SCREW TE M4X6 UNI 5739 8G | |
| 37 | 580A2681 | 1 | CAVO SBLOCC.SEDILE.K60-65-REV- | |
| 38 | 34211028 | 1 | ROLL PIN | |
| 39 | 58070390 | 1 | SEAT SPRINGS | |



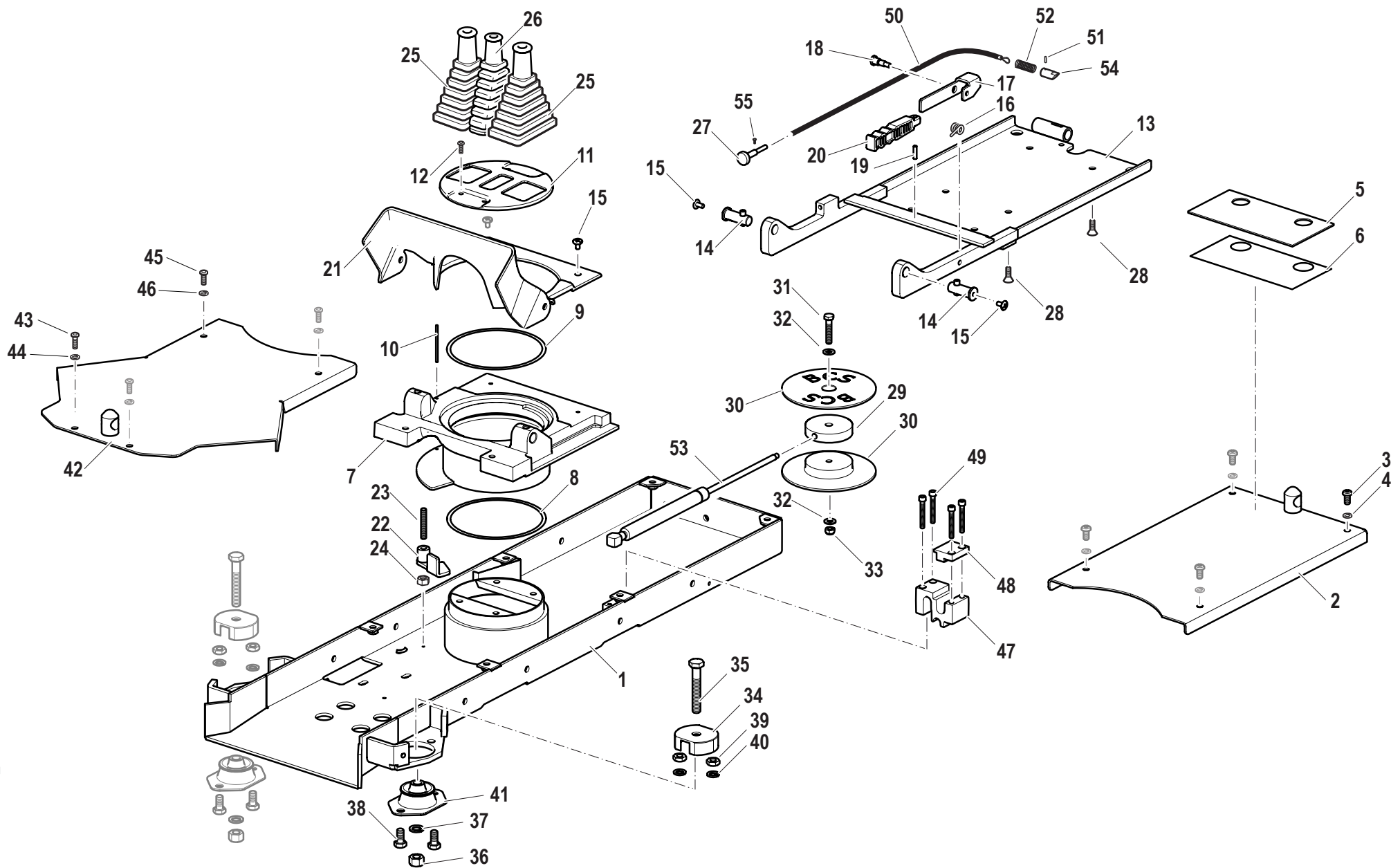
| Pos. | Code | Q.ty | Description | Notes |
|------|-------------|------|--------------------------------|-------|
| 1 | 590A2316 | 1 | SC.CON.TUBI/CAVI K60-V65-REV- | |
| 2 | 590A2339V | 1 | COP.POST.SCAT.(A2339)VERDE | |
| 3 | F0862479020 | 4 | SCREW M8X16 7380 | |
| 4 | 31411084 | 4 | WASHER 8,4x17 | |
| 5 | 573A2622 | 1 | TAPP.SUPP.SEDILE K60-65-REV- | |
| 6 | 580A2623 | 1 | BIADES.SCAPA TAPP.SUPP.SED.GM | |
| 7 | 590A2344 | 1 | TORR.GIREV.COMPL.K60-V65-REV- | |
| 8 | 573A0356 | 1 | GASKET | |
| 9 | 57374545 | 1 | GASKET | |
| 10 | 34221005 | 1 | CYL. PLUG m6 D.3x60 DIN 6325 | |
| 11 | 593A0864 | 1 | FLANGE | |
| 12 | F0863208050 | 4 | SCREW M10X20 UNI 5933 | |
| 13 | 590A2348 | 1 | SUPP.SEDILE K60-V65-REV- | |
| 14 | 561A2353 | 2 | PERNO INC.SUP/SED.K60-V65-REV- | |
| 15 | F0861973100 | 4 | SCREW M6X12 COMBI | |
| 16 | 58074488 | 1 | SPRING | |
| 17 | 563A2358 | 1 | PERNO INC.SUP.SED.K60-V65-REV- | |
| 18 | 561A2357 | 1 | STAF.BL.SUPP.SED.K60-V65REVgrz | |
| 19 | 34211028 | 1 | ROLL PIN | |
| 20 | 58070390 | 1 | SEAT SPRINGS | |
| 21 | 573A2364 | 1 | COP.TORRETTA GIREVOLE K60-V65 | |
| 22 | 590A2648 | 1 | STAF.COM.DIS.INV.FLUS.K6065grz | |
| 23 | 31312087 | 1 | PRIG.M8x40 UNI 5911 8.8 ZNT/B | |
| 24 | 31241081 | 1 | SELFLOCK NUT M8 | |
| 25 | 551A1602 | 2 | SOFFIETTO LEVE MARCE-GAMME | |
| 26 | 551A1601 | 1 | SOFFIETTO LEVA INVERSOE | |
| 27 | 560A0440 | 1 | HANDLE | |
| 28 | 31132566 | 4 | SCREW TSVEI M8X20 UNI 5933 | |
| 29 | 573A0291 | 1 | INTERNO PULEGGIA 55-65-REV- | |
| 30 | 573A1949 | 2 | PULEGGIA K60-65-REV- | |
| 31 | F0862785000 | 1 | SCREW M8X40 UNI 5737 | |
| 32 | 31411084 | 2 | WASHER 8,4x17 | |
| 33 | 31241081 | 1 | SELFLOCK NUT M8 | |
| 34 | 561A2600 | 2 | FERMO SUP.SIL/BL.ANT.K60-65CAB | |

SERIAL

SEAT SUPPORT / GEAR LEVERS COVER (VERSION WITH CAB)

CODE REV

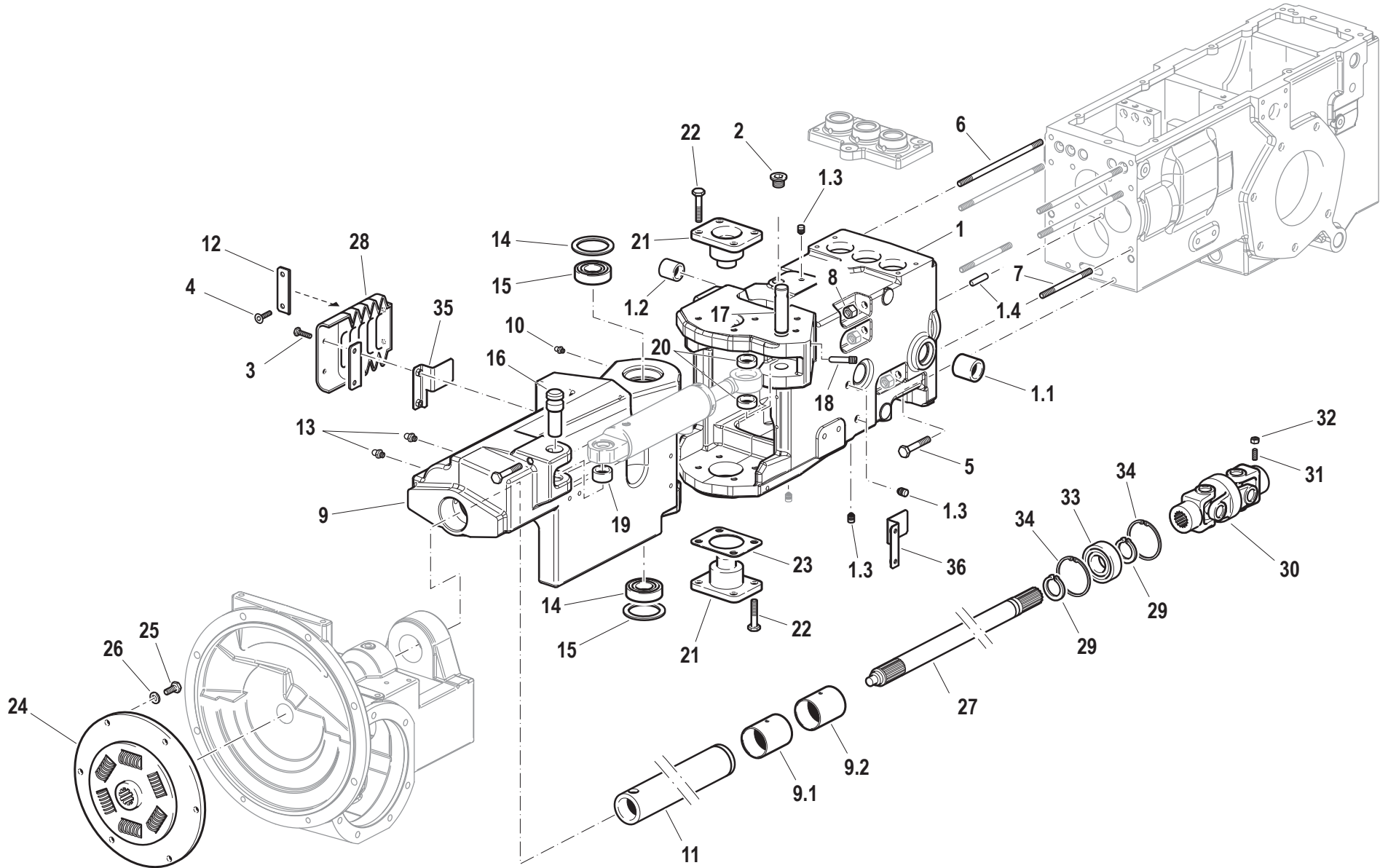
B.09.02.L20005_0



| Pos. | Code | Q.ty | Description | Notes |
|------|-------------|------|--------------------------------|-------|
| 35 | 31112700 | 2 | SCREW TE M12X75 UNI 5737 | |
| 36 | 31221120 | 2 | NUT M12 | |
| 37 | F0843843060 | 2 | WASHER 12 | |
| 38 | 31112219 | 4 | SCREW TE M10X25 UNI 5739 | |
| 39 | 31211100 | 4 | NUT M10 | |
| 40 | F0843755000 | 4 | WASHER 10 | |
| 42 | 590A2387V | 1 | COP.ANT.SCA.RS-AR(A2387)VERDE | |
| 43 | 31121007 | 2 | SCREW BCEI M8X20 ISO7380 | |
| 44 | F0843643060 | 2 | WASHER 8 | |
| 45 | F0862479020 | 2 | SCREW M8X16 7380 | |
| 46 | 31411084 | 4 | WASHER 8,4x17 | |
| 47 | 530A2299 | 1 | PROFILED SMALL BLOCK HAUSE | |
| 48 | 56174773 | 1 | COVER | |
| 49 | 31152066 | 4 | SCREW TCEI M6X45 UNI 5931 | |
| 50 | 580A2681 | 1 | CAVO SBLOCC.SEDILE.K60-65-REV- | |
| 51 | 34211028 | 1 | ROLL PIN | |
| 52 | 58070390 | 1 | SEAT SPRINGS | |
| 53 | 581A2708 | 1 | MOLLA A GAS(7000015748A0) | |
| 54 | 563A2356 | 1 | PERNO BL.SEDILE K60-V65-REV- | |
| 55 | 31112047 | 1 | SCREW TE M4X6 UNI 5739 8G | |

| Pos. | Code | Q.ty | Description | Notes |
|------|-------------|------|-------------------------------|-------|
| 1 | 511A2265 | 1 | FRONT BRIDGE BOX L60-K60-V65- | |
| 2 | 512A0909 | 1 | FRONT AXLE HOUSING | |
| 3 | 512A0910 | 1 | FRONT AXLE HOUSING | |
| 4 | F0844273090 | 1 | GASKET 22X28X1,5 CU 99,5 | |
| 5 | 56370081 | 1 | PLUG | |
| 6 | 31112264 | 14 | SCREW TE M12X35 UNI 5739 | |
| 7 | 56371582 | 0.8 | RING | |
| 7 | 56371583 | 0.8 | RING | |
| 7 | 56371584 | 0.8 | RING | |
| 7 | 56371585 | 0.8 | RING | |
| 7 | 56371586 | 0.8 | RING | |
| 8 | 58071790 | 1 | PLUG | |
| 9 | F0812895000 | 2 | BEARING 32008 (40X68X19) | |

CENTRAL SECTION



| Pos. | Code | Q.ty | Description | Notes |
|------|-------------|------|-------------------------------|-------|
| 1 | 511A2955 | 1 | CLUTCH HOUSING K60-V65-AR- | |
| 2 | F0852538010 | 1 | PLUG | |
| 3 | 31112093 | 4 | SCREW TE M6X20 UNI 5739 8G | |
| 4 | 31132562 | 4 | SCREW TSVEI M6X16 UNI 5933 | |
| 5 | F0863359000 | 2 | SCREW M10X40 UNI 5737 | |
| 6 | F0838535050 | 4 | STUD BOLT M10X170 UNI5911 | |
| 7 | F0838475000 | 2 | STUD BOLT M10X90 UNI 5911 8.8 | |
| 8 | F0814647000 | 6 | NUT M10 | |
| 9 | 51179812 | 1 | BOX | |
| 10 | 30000007 | 2 | LUBRICATOR | |
| 11 | 564A2716 | 1 | PERNO BRANDEGGIO 55-65 | |
| 12 | 56172163 | 2 | FIXING BRACKET | |
| 13 | F0826056000 | 2 | LUBRICATOR M10 UNI 7663A | |
| 14 | F0812747000 | 2 | BEARING 32006X (30x55x17) | |
| 15 | 58170077 | 2 | GASKET | |
| 16 | 56373542 | 1 | HINGE PIN | |
| 17 | 56379584 | 1 | HINGE PIN | |
| 18 | 56370178 | 2 | SCREW | |
| 19 | 56170226 | 1 | SPACER | |
| 20 | 561A0167 | 2 | SPACER | |
| 21 | 523A0166 | 2 | JOINT PIN | |
| 22 | F0863267050 | 8 | SCREW M10x25 | |
| 23 | 52172158 | 0.3 | SHIM | |
| 23 | 52172159 | 0.3 | SHIM | |
| 23 | 52172160 | 0.3 | SHIM | |
| 23 | 52172161 | 0.3 | SHIM | |
| 23 | 52172162 | 0.3 | SHIM | |
| 24 | 581A2277 | 1 | COUPLING | |
| 25 | 31112150 | 6 | SCREW TE M8X20 UNI 5739 8G | |
| 26 | 31421083 | 6 | WASHER | |
| 27 | 565A2288 | 1 | ALBERO ANT.FRIZ.L60-K60-AR- | |
| 28 | 55172608 | 2 | BELLOWS | |
| 29 | 35121025 | 2 | SEEGER RING E 25 DIN 471 | |
| 30 | 58172155 | 1 | CARDAN JOINT | |

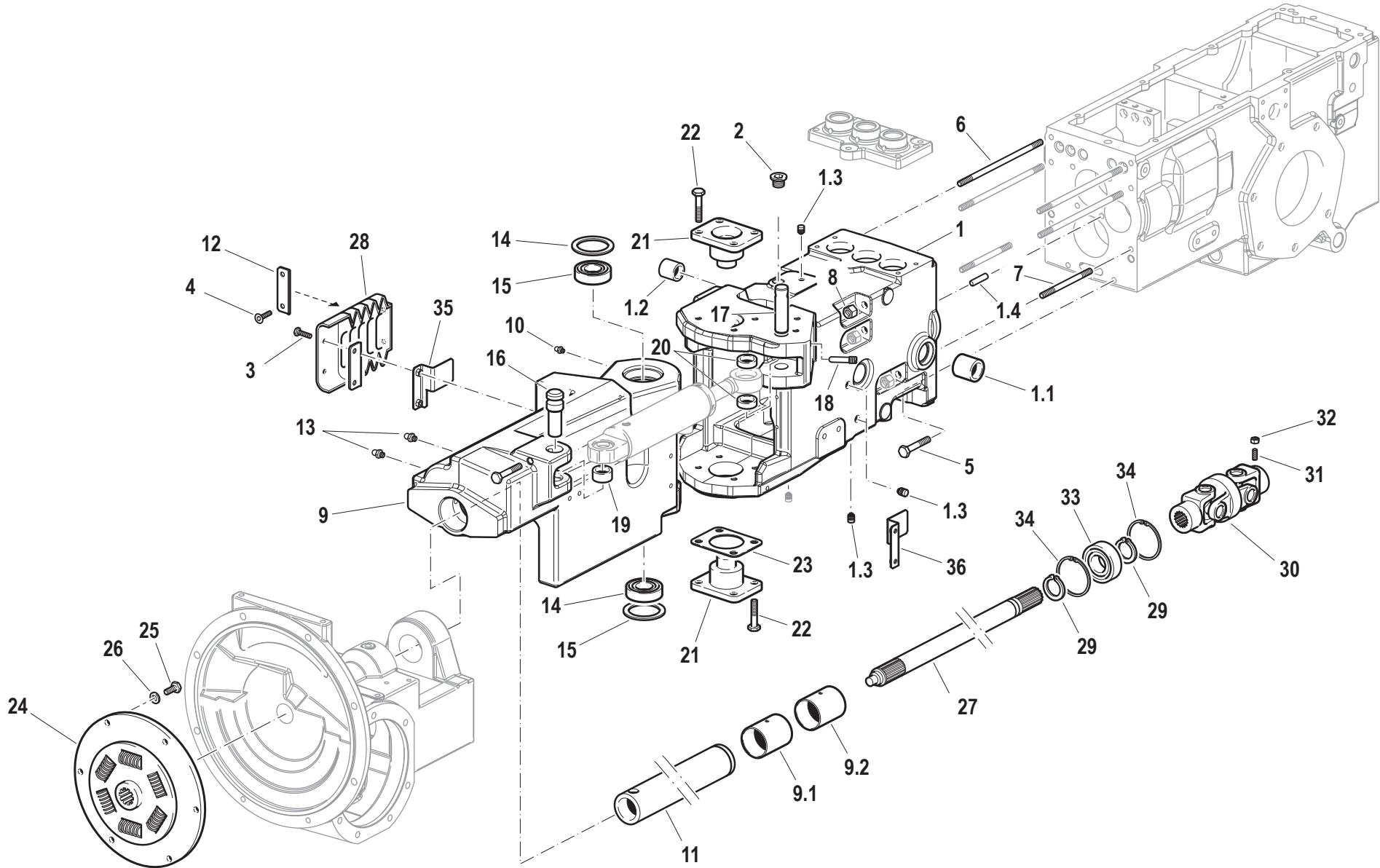
SERIAL

CENTRAL SECTION

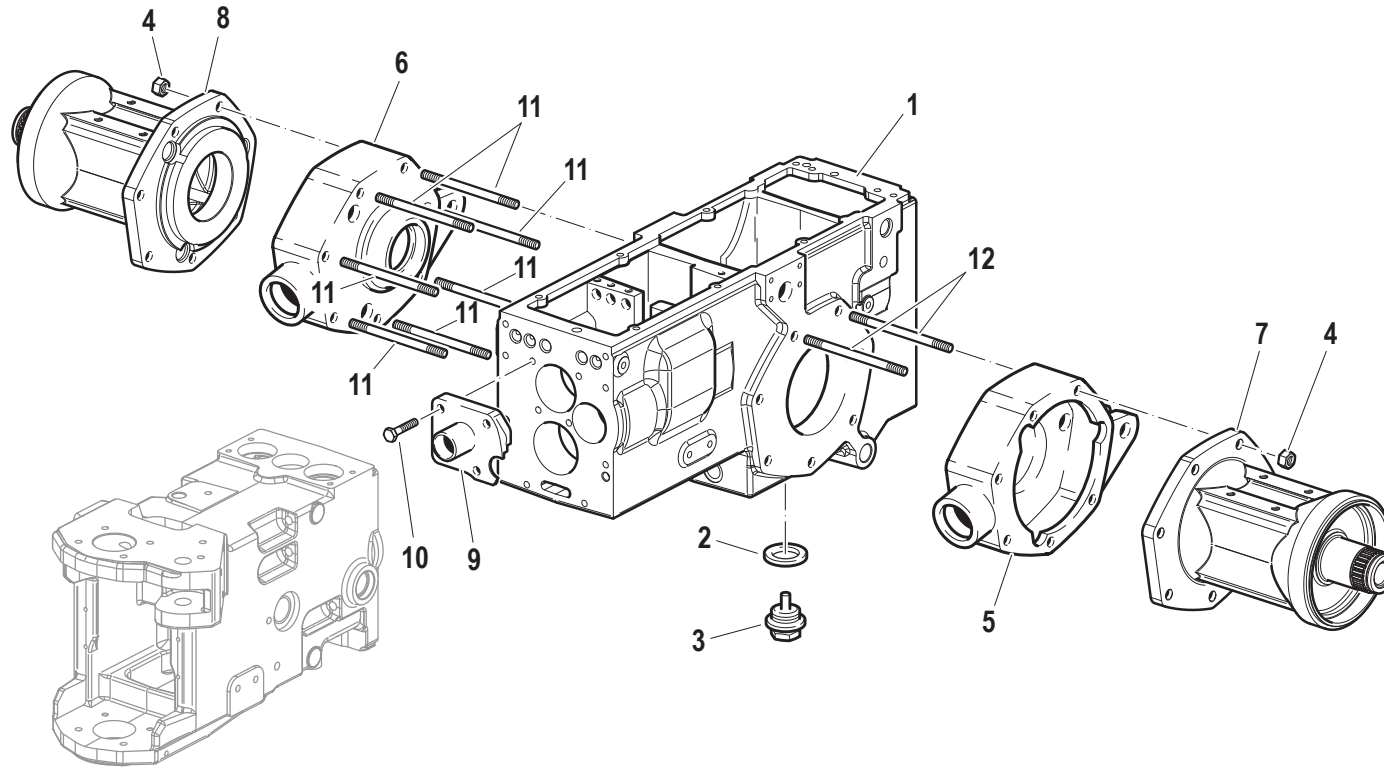
CODE REV

C.02.01.L20004_0

CENTRAL SECTION

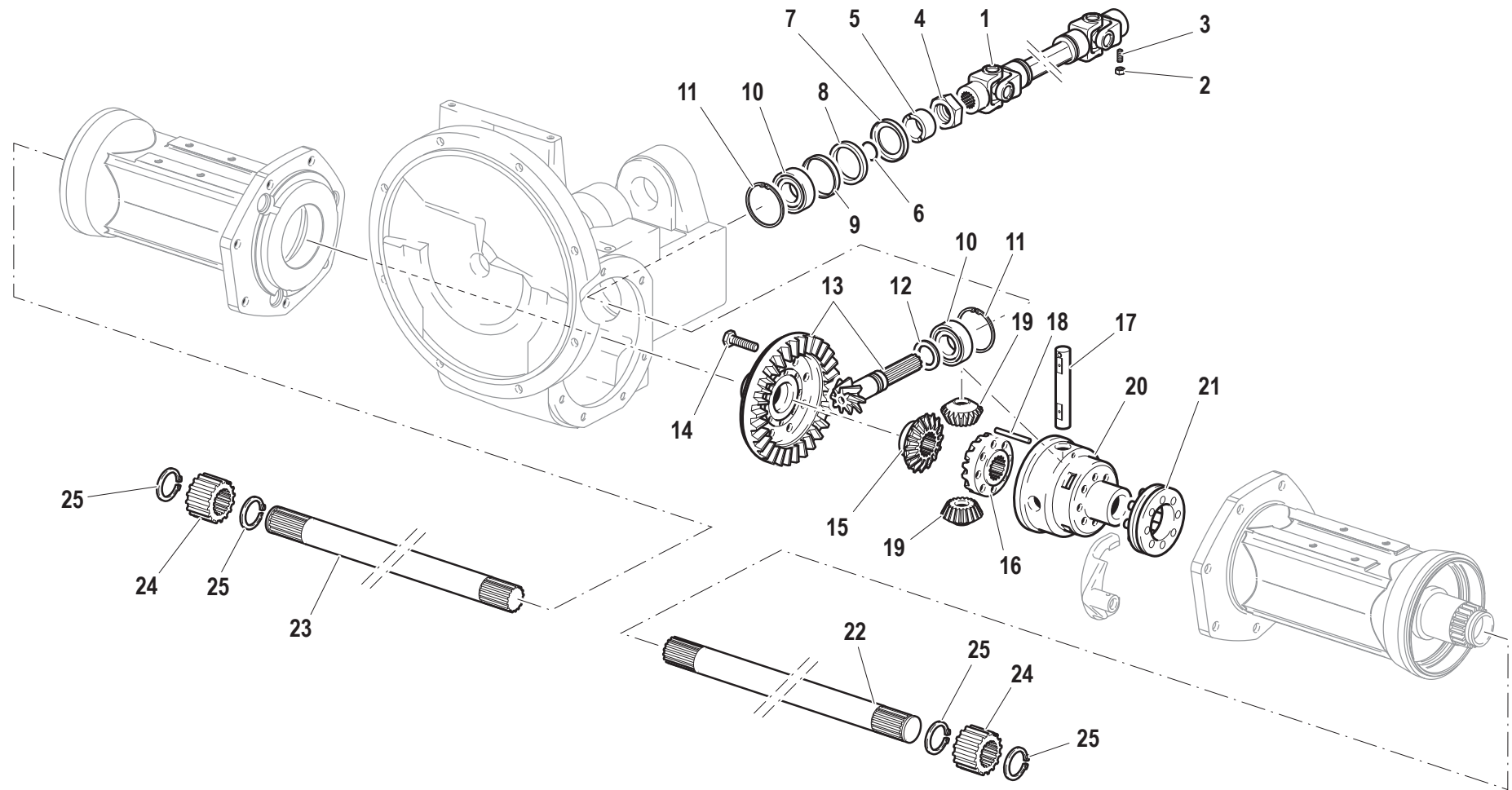


| Pos. | Code | Q.ty | Description | Notes |
|------|--------------|------|--------------------------|-------|
| 31 | F0862593050 | 1 | SCREW M8X20 UNI 5927 | |
| 32 | 31211080 | 1 | NUT M8 | |
| 33 | 37112249 | 1 | BEARING | |
| 34 | 35111052 | 2 | SEEGER RING I 52 DIN 472 | |
| 35 | 59075711 | 1 | PLATE | |
| 36 | 59075712 | 1 | FIXING PLATE | |
| 1.1 | 58071793 | 1 | BUSHING | |
| 1.2 | P00000000798 | 1 | BUSHING | |
| 1.3 | 58179811 | 5 | PLUG | |
| 1.4 | 56370228 | 2 | CYLINDRICAL PLUG | |
| 9.1 | 56276360 | 1 | BUSHING | |
| 9.2 | 56276359 | 1 | BUSHING | |



| Pos. | Code | Q.ty | Description | Notes |
|------|-------------|------|-------------------------------|-------|
| 1 | 511A0935 | 1 | GEAR BOX 55-65CV | |
| 2 | 31480191 | 1 | COPPER WASHER 30x36/1,5 | |
| 3 | 581A0108 | 1 | PLUG | |
| 4 | F0814695000 | 14 | NUT M12 | |
| 5 | 51171603 | 1 | BRAKE HOUSING | |
| 6 | 51171604 | 1 | BRAKE HOUSING | |
| 7 | 512A0109 | 1 | REAR AXLE HOUSING | |
| 8 | 512A0110 | 1 | REAR AXLE HOUSING | |
| 9 | 59079172 | 1 | FRONT COVER | |
| 10 | 31112219 | 4 | SCREW TE M10X25 UNI 5739 | |
| 11 | F0838660000 | 8 | STUD BOLT M12X105 UNI 5911-66 | |
| 12 | F0838660100 | 6 | STUD BOLT M12x115 UNI 5911-66 | |

FRONT TRANSMISSION



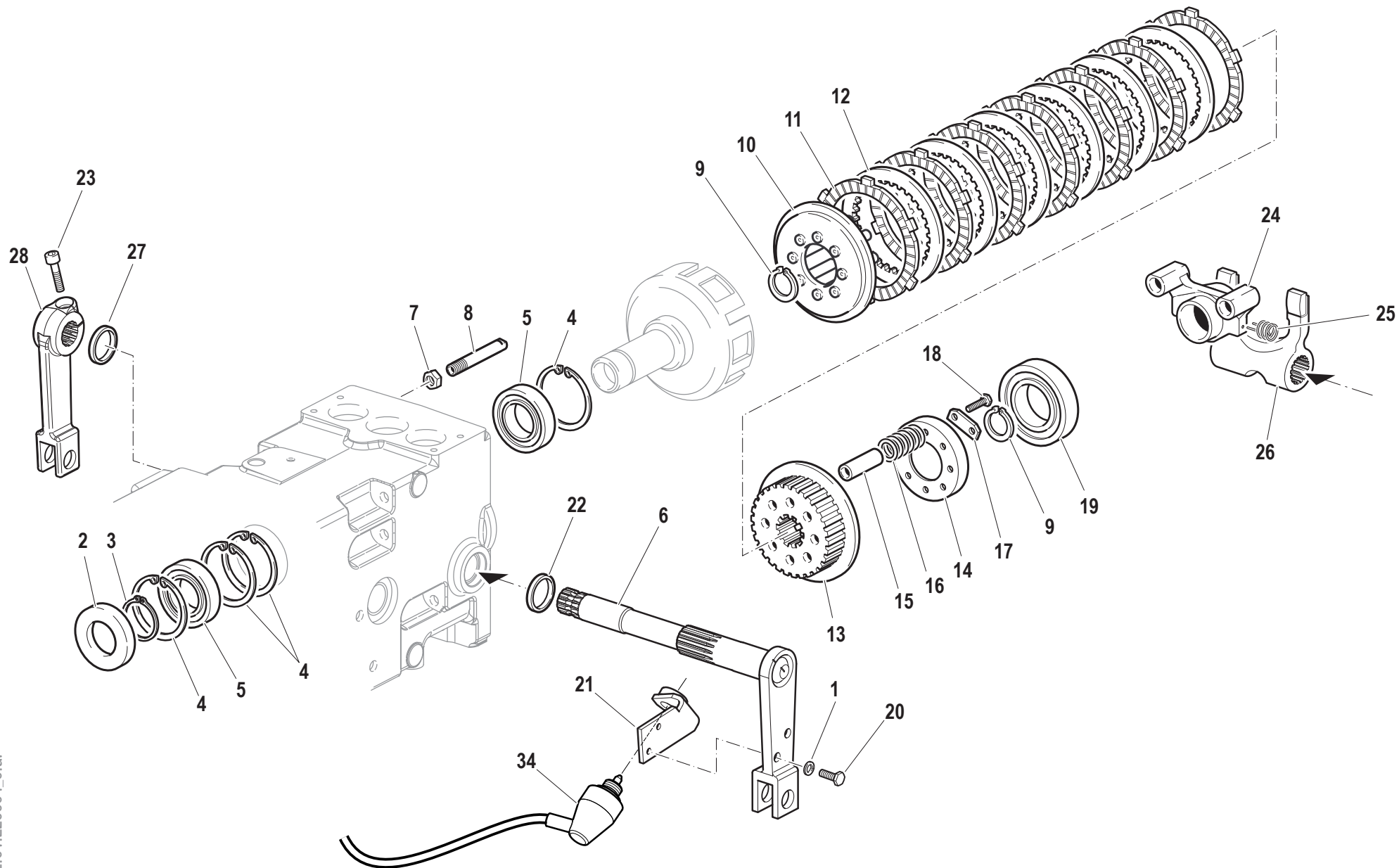
| Pos. | Code | Q.ty | Description | Notes |
|------|-------------|------|--------------------------------|-------|
| 1 | 581A2292 | 1 | DOPPIO GIUNTO CARD.L60-K60-V65 | |
| 2 | 31211080 | 1 | NUT M8 | |
| 3 | F0862657000 | 1 | GRAIN | |
| 4 | 56371666 | 1 | RING NUT | |
| 5 | 56471665 | 1 | SPACER | |
| 6 | 38112670 | 1 | O-RING | |
| 7 | 56171671 | 1 | PROTECTIVE RING D=62 | |
| 8 | F0802190010 | 1 | SEAL 42x62/7 | |
| 9 | 56171672 | 1 | SPACER | |
| 10 | 37221300 | 2 | CYL. ROLLER BEARING | |
| 11 | 35111063 | 2 | SEEGER RING I 62 UNI 7438 | |
| 13 | 593A2290 | 1 | C/C Z=10/39(ANT)L60-K60-V65 | |
| 14 | F0863267050 | 8 | SCREW M10x25 | |
| 15 | 52471513 | 1 | CROWN WHEEL | |
| 16 | 52471516 | 1 | CROWN WHEEL | |
| 17 | 56471508 | 1 | PIN | |
| 18 | 56371994 | 1 | PIN | |
| 19 | 52471509 | 2 | PLANETARY GEAR | |
| 20 | 51374866 | 1 | HOUSING | |
| 21 | 59071518 | 1 | SLEEVE | |
| 22 | 56572623 | 1 | AXLE SHAFT | |
| 23 | 56572624 | 1 | AXLE SHAFT | |
| 24 | 52473922 | 2 | CROWN WHEEL | |
| 25 | F0801175050 | 2 | SEEGER RING E 24X1,75 UNI 7436 | |
| 12.1 | 56371670 | 0.25 | SHIM | |
| 12.2 | 56371667 | 0.25 | SHIM | |
| 12.3 | 56371668 | 0.25 | SHIM | |
| 12.4 | 56371669 | 0.25 | SHIM | |

SERIAL

FRONT TRANSMISSION

CODE REV

D.01.01.L20005_0



| Pos. | Code | Q.ty | Description | Notes |
|------|-------------|------|--------------------------------|-------|
| 1 | F0843643060 | 2 | WASHER 8 | |
| 2 | F0802187050 | 1 | OIL SEAL 40x68/10 | |
| 3 | 35121040 | 1 | SEEGER RING E 40 DIN 471 | |
| 4 | F0801408000 | 4 | SEEGER RING I 68 UNI 7437 | |
| 5 | 37111400 | 2 | BEARING | |
| 6 | 59079538 | 1 | SHAFT | |
| 7 | F0814689050 | 1 | NUT M12X1,75 CH.17/H7 | |
| 8 | 561A2740 | 1 | TUBO LAV.FRIZIONE CAMBIO 55-65 | |
| 9 | 563A1689 | 1 | VITE M10x43 CH.22 ZNT/B | |
| 10 | 592A1187 | 1 | DISCO REAZ.FRIZ.CAMBIO 55-65CV | |
| 11 | 58171558 | 7 | CLUTCH DISC | |
| 12 | 58171559 | 6 | DISC | |
| 13 | 524A1233 | 1 | MOZZO DISCHI FRIZIONE | |
| 14 | 56371551 | 1 | FLANGE | |
| 15 | 561A1188 | 4 | DIST.D.12x10,1/31,1 | |
| 16 | 580A1189 | 8 | MOLLA FRIZIONE 55-65 | |
| 17 | 52071702 | 4 | CLAMPING PLATE | |
| 18 | 31111091 | 8 | SCREW E M6X14 UNI 5739 8G | |
| 19 | 37111460 | 1 | BEARING | |
| 20 | 31112146 | 2 | SCREW TE M8X22 UNI 5739 8G | |
| 21 | 590A1683 | 1 | STAFFA INT.CONS.AVVIAM.55-65 | |
| 22 | 38212503 | 1 | OIL SEAL 25x35/7 | |
| 23 | 31152083 | 1 | SCREW TCEI M8X30 UNI 5931 | |
| 24 | 522A1185 | 1 | FRICTION RELEASE SLEEVE 55-65 | |
| 25 | F0819180080 | 2 | SPRING | |
| 26 | 52371733 | 1 | CLUTCH FORK | |
| 27 | F0802088050 | 1 | SEAL 22x32x6 | |
| 28 | 56579865 | 1 | CLUTCH LEVER | |
| 29 | 31211100 | 1 | NUT M10 | |
| 30 | F0801241010 | 2 | SEEGER RING E 30 UNI 7436 | |
| 31 | 590A1686 | 1 | STAFFA REG.CONS.AVVIAM.55-65 | |
| 32 | 31112150 | 2 | SCREW TE M8X20 UNI 5739 8G | |

| Pos. | Code | Q.ty | Description | Notes |
|------|-------------|------|--------------------------|-------|
| 1 | 52479521 | 1 | TRANSMISSION SHAFT | |
| 2 | F0812578050 | 2 | ROLLER CAGE 17x21/13 | |
| 3 | F0801156050 | 2 | SAFETY RING | |
| 4 | 56479697 | 1 | SHAFT | |
| 5 | 52579212 | 1 | CLUTCH HOUSING | |
| 6 | F0800056050 | 1 | CIRCLIP B28 UNI 7433 | |
| 7 | 52472344 | 1 | FIX SLEEVE | |
| 8 | 35111027 | 1 | SEEGER RING I 27 DIN 472 | |

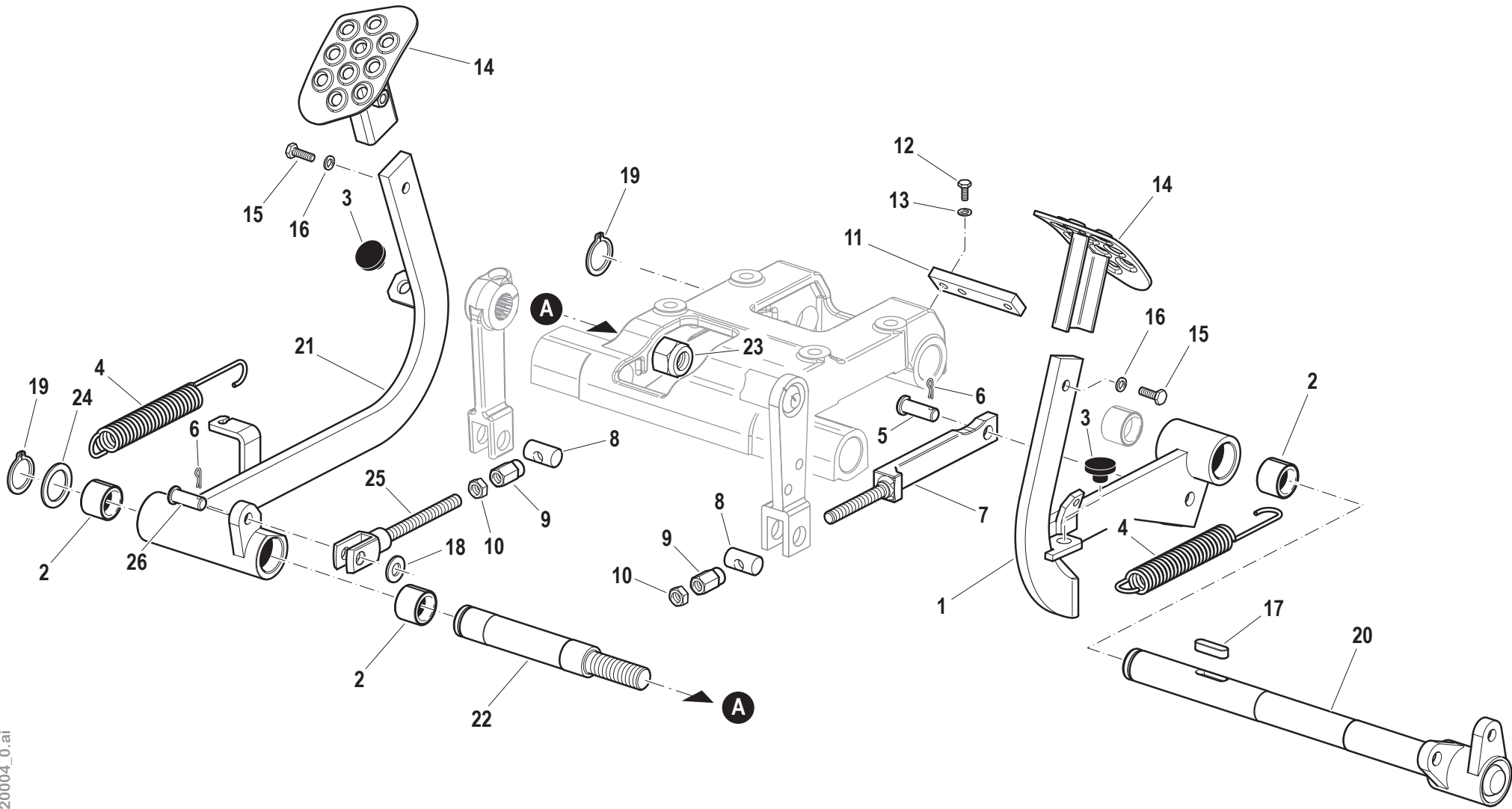
SERIAL

INPUT SHAFT

CODE REV

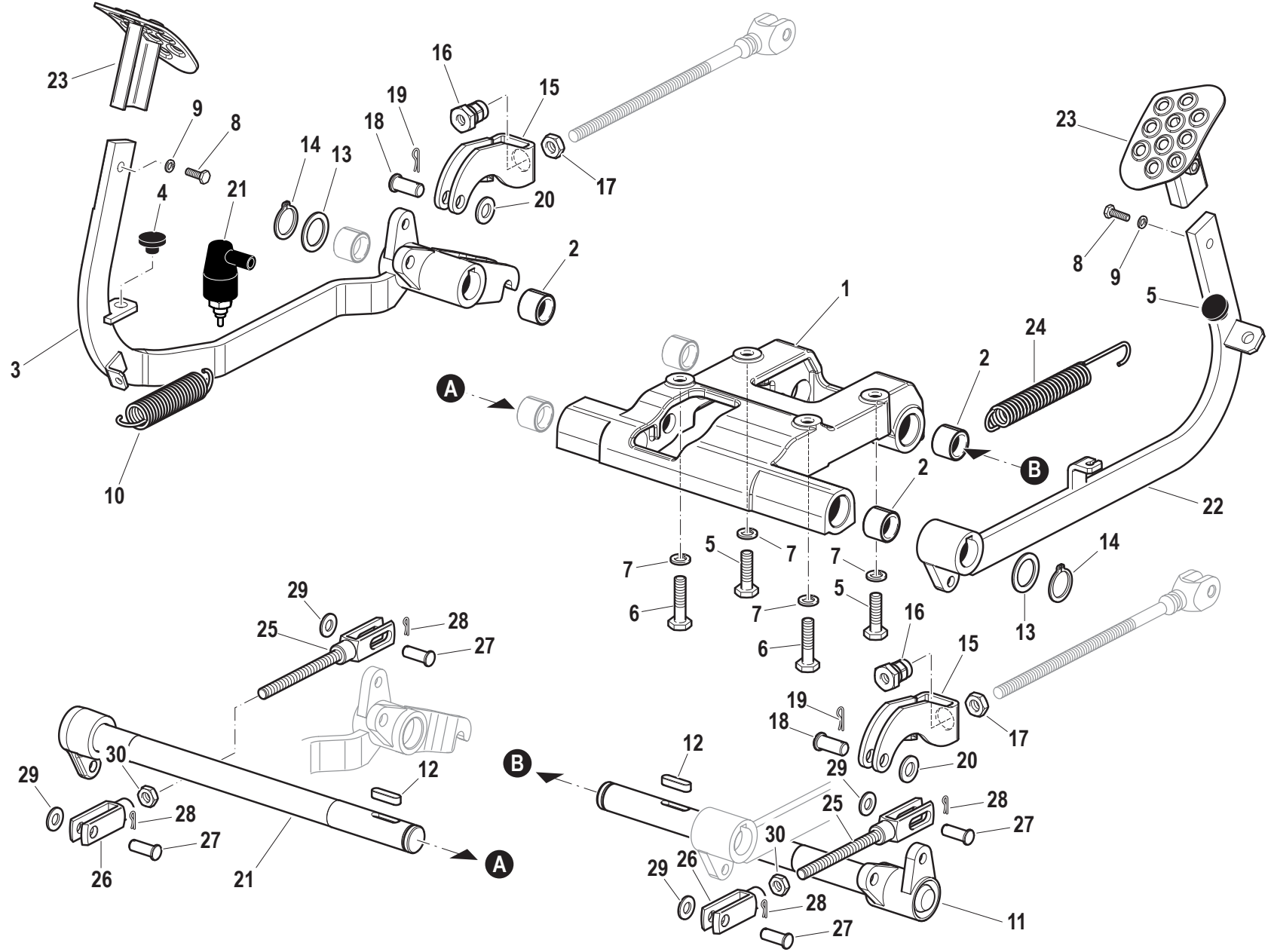
D.02.02.L20003_0

CLUTCH CONTROLS



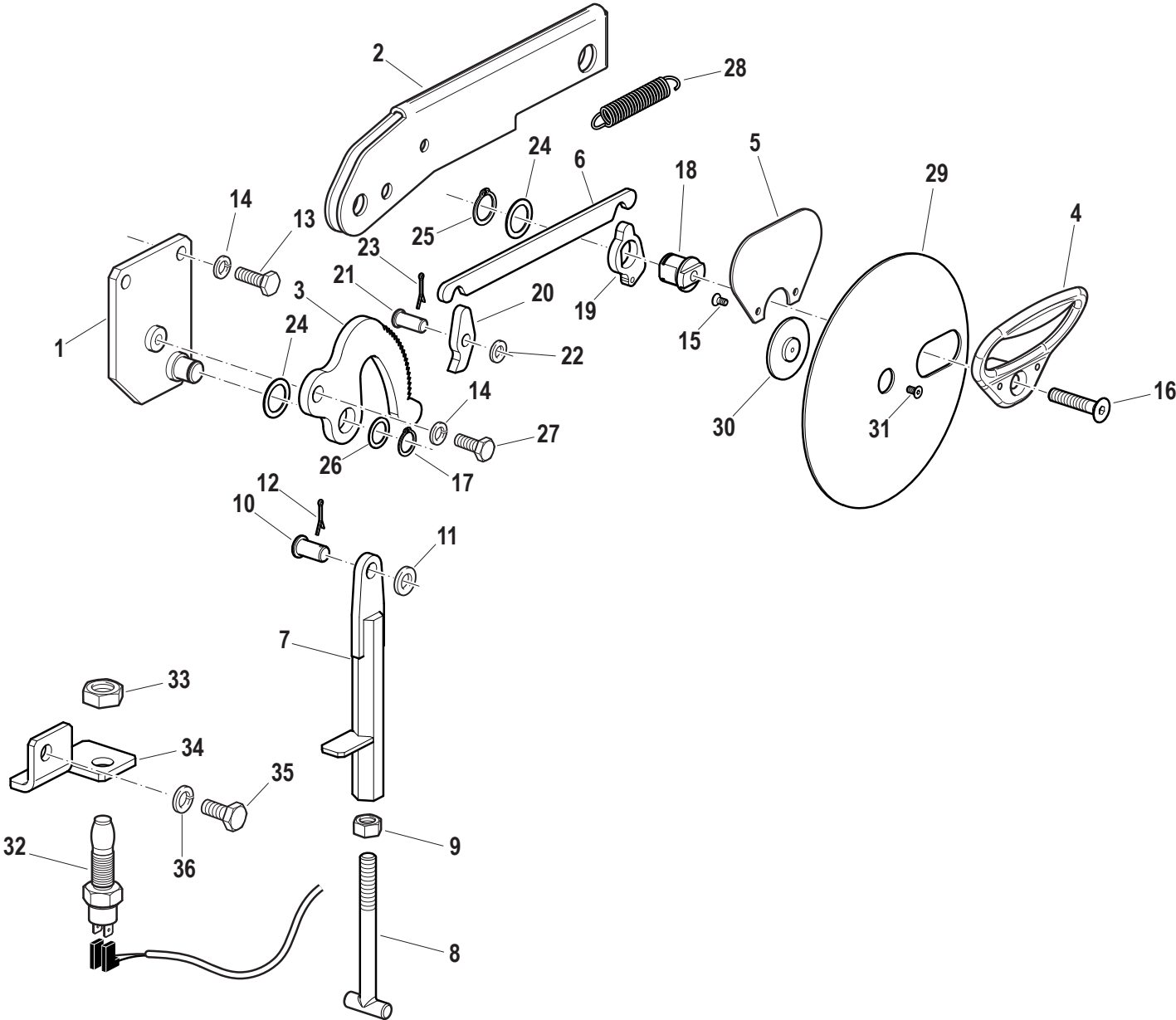
| Pos. | Code | Q.ty | Description | Notes |
|------|-------------|------|--------------------------------|-------|
| 1 | 59079597 | 1 | PEDAL | |
| 2 | 58171596 | 4 | BUSHING | |
| 3 | F0822537050 | 2 | BUFFER | |
| 4 | 580A0360 | 2 | RESTORING SPRING | |
| 5 | 56471813 | 1 | PIN | |
| 6 | F0810510000 | 2 | SPLIT PIN A2,0X20 UNI 1336 | |
| 7 | 59071640 | 1 | ROD | |
| 8 | 56371714 | 2 | PIN | |
| 9 | 56371715 | 2 | REGISTER | |
| 10 | F0814627000 | 2 | NUT M10 | |
| 11 | 56079676 | 1 | PLATE | |
| 12 | 31112093 | 2 | SCREW TE M6X20 UNI 5739 8G | |
| 13 | F0843570000 | 2 | WASHER 6 | |
| 14 | 59079643 | 2 | BRAKE PEDAL | |
| 15 | 31112146 | 2 | SCREW TE M8X22 UNI 5739 8G | |
| 16 | F0843643060 | 2 | WASHER 8 | |
| 17 | F0806533000 | 1 | KEY 8X7X30 UNI 6604/A | |
| 18 | 31411105 | 1 | WASHER 10,5x21 | |
| 19 | 35131026 | 1 | SEEGER RING E 25X2 UNI 7436 | |
| 20 | 59079675 | 1 | SHAFT | |
| 21 | 59079638 | 1 | CLUTCH PEDAL | |
| 22 | 56379660 | 1 | PEDAL PIN | |
| 23 | 31241181 | 1 | SELFLOCK NUT M18x1,5 6S | |
| 24 | 56349629 | 1 | RING | |
| 25 | 59079665 | 1 | TIRANTE PEDALE FRIZ.55-65-REV- | |
| 26 | 56470365 | 1 | PIN | |

| Pos. | Code | Q.ty | Description | Notes |
|------|--------------|------|----------------------------|-------|
| 1 | 58171706 | 2 | BRAKE | |
| 2 | 58171707 | 6 | BRAKE DISC | |
| 3 | 56371606 | 4 | PIN | |
| 4 | 56371605 | 2 | PIN | |
| 5 | F0803186000 | 4 | O-RING 123 | |
| 6 | 56371708 | 2 | ROD | |
| 7 | 56471709 | 2 | PIN | |
| 8 | F0810510000 | 2 | SPLIT PIN A2,0X20 UNI 1336 | |
| 9 | 55170047 | 2 | BOOT | |
| 10 | 56170043 | 2 | COVER | |
| 11 | 31411130 | 2 | WASHER 13x24 | |
| 12 | 58070366 | 2 | RETAINING SPRING | |
| 13 | 31231120 | 4 | NUT M12 | |
| 14 | P45352401000 | 2 | SHIM | |



| Pos. | Code | Q.ty | Description | Notes |
|------|-------------|------|-----------------------------|-------|
| 1 | 511A0116 | 1 | SUPPORT | |
| 2 | 58171596 | 2 | BUSHING | |
| 3 | 59079612 | 1 | PEDAL | |
| 4 | F0822537050 | 2 | BUFFER | |
| 5 | F0863449000 | 2 | SCREW M10X50 UNI 5737 | |
| 6 | 31112215 | 2 | SCREW TE M10X60 UNI 5737 | |
| 7 | F0843755000 | 4 | WASHER 10 | |
| 8 | 31112146 | 2 | SCREW TE M8X22 UNI 5739 8G | |
| 9 | F0843643060 | 2 | WASHER 8 | |
| 10 | 58070373 | 1 | RESTORING SPRING | |
| 11 | 59079675 | 1 | SHAFT | |
| 12 | F0806533000 | 1 | KEY 8X7X30 UNI 6604/A | |
| 13 | 56349629 | 1 | RING | |
| 14 | 35131026 | 1 | SEEGER RING E 25X2 UNI 7436 | |
| 15 | 56171787 | 2 | BRACKET | |
| 16 | 52373177 | 2 | NUT | |
| 17 | 31231120 | 2 | NUT M12 | |
| 18 | 56470797 | 2 | PIN | |
| 19 | F0810510000 | 2 | SPLIT PIN A2,0X20 UNI 1336 | |
| 20 | 31411130 | 2 | WASHER 13x24 | |
| 21 | 59074317 | 1 | DEFLECTION SHAFT | |
| 22 | 59079632 | 1 | CLUTCH PEDAL | |
| 23 | 59079643 | 2 | BRAKE PEDAL | |
| 24 | 580A0360 | 1 | RESTORING SPRING | |
| 25 | 59073066 | 2 | ROD | |
| 26 | F0860091010 | 2 | FORK | |
| 27 | 56470365 | 4 | PIN | |
| 28 | F0810510000 | 4 | SPLIT PIN A2,0X20 UNI 1336 | |
| 29 | 31411105 | 4 | WASHER 10,5x21 | |
| 30 | 31211100 | 2 | NUT M10 | |
| 31 | F0825488000 | 1 | SWITCH | |

PARKING BRAKE



| Pos. | Code | Q.ty | Description | Notes |
|------|-------------|------|--------------------------------|-------|
| 1 | 59079759 | 1 | LEVER BEARING | |
| 2 | 59079760 | 1 | HANDBRAKE LEVER | |
| 3 | 58179860 | 1 | TOOTHED SECTOR | |
| 4 | 56179770 | 1 | HANDLE | |
| 5 | 57379771 | 1 | GUARD | |
| 6 | 56179766 | 1 | PULL ROD | |
| 7 | 590A2787 | 1 | COLONN.TIR.FR.MANO K60-65-REV- | |
| 8 | 56379765 | 1 | HANDBRAKE TIE-ROD | |
| 9 | 31231090 | 1 | NUT M10 | |
| 10 | 56479769 | 1 | HINGE PIN | |
| 11 | 31411105 | 1 | WASHER 10,5x21 | |
| 12 | F0810510000 | 1 | SPLIT PIN A2,0X20 UNI 1336 | |
| 13 | 31112150 | 2 | SCREW TE M8X20 UNI 5739 8G | |
| 14 | F0843643060 | 2 | WASHER 8 | |
| 15 | 31132440 | 2 | SCREW TSVEI M4X10 UNI 5933 | |
| 16 | 31133590 | 1 | SCREW TSVEI M8X35 UNI 5933 | |
| 17 | F0801095000 | 1 | SEEGER RING E 14 7435 | |
| 18 | 563A2077 | 1 | PERNO INC.MANIGLIA K60-65-REV- | |
| 19 | 56179763 | 1 | BLANKING PLATE | |
| 20 | 58179859 | 1 | CLEVIS | |
| 21 | 56479768 | 1 | PIN | |
| 22 | 31411064 | 1 | WASHER 6,4x12,5 | |
| 23 | 34110021 | 1 | SPLIT PIN | |
| 24 | 31400300 | 1 | SHIM PS 19x26/1 DIN 988 | |
| 25 | 35121018 | 1 | SEEGER RING E 18 DIN 471 | |
| 26 | 31400302 | 1 | SHIM PS 15x22/1 DIN 988 | |
| 27 | 31112147 | 1 | SCREW TE M8X18 UNI 5739 8G | |
| 28 | 58073227 | 1 | SPRING | |
| 29 | 573A0371 | 1 | DISC | |
| 30 | 560A0372 | 1 | SHIM | |
| 31 | 31132440 | 1 | SCREW TSVEI M4X10 UNI 5933 | |
| 32 | 58173230 | 1 | PUSH-BUTTON | |
| 33 | 31231141 | 2 | NUT | |
| 34 | 56179767 | 1 | FIXING BRACKET | |

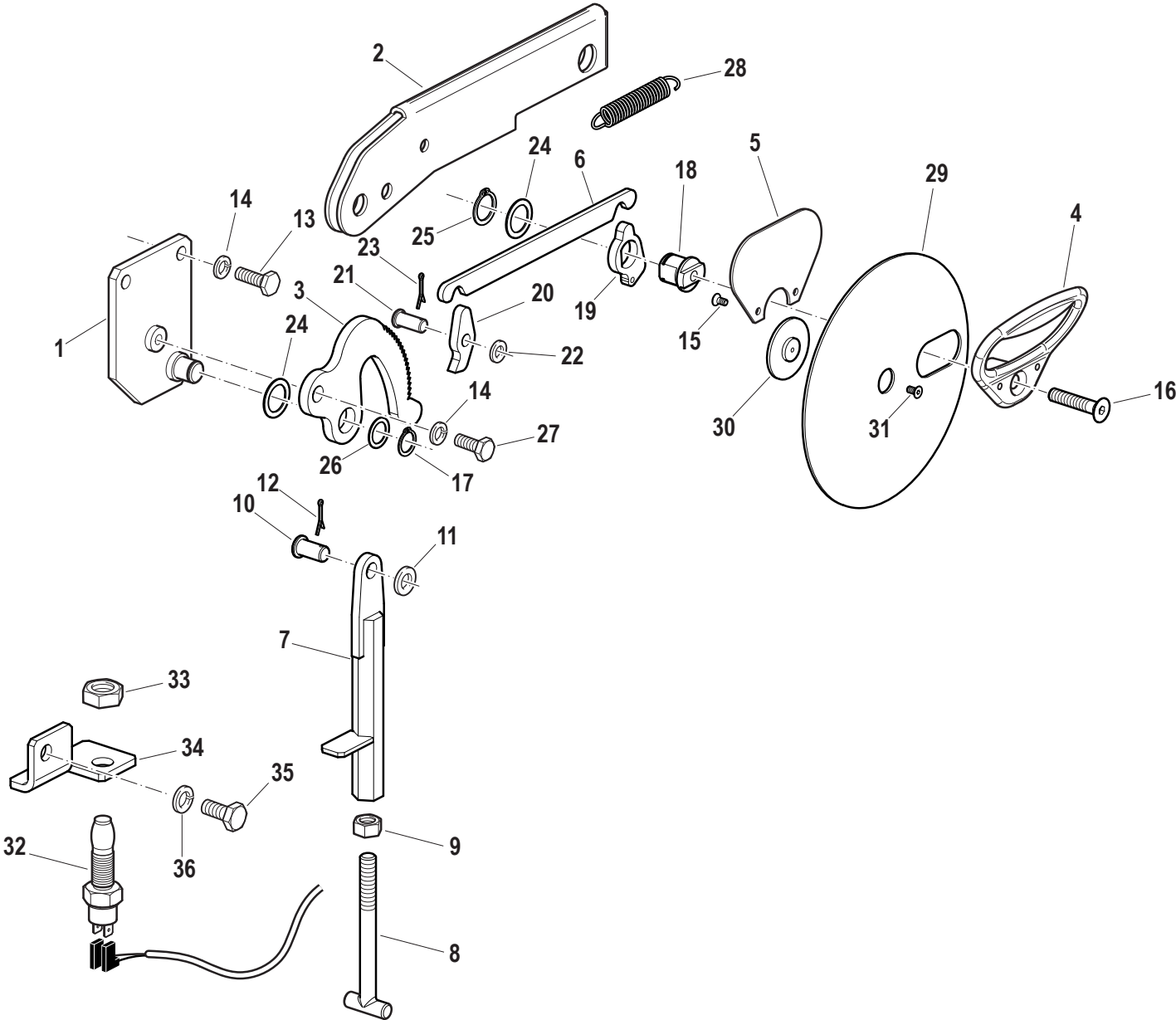
SERIAL

PARKING BRAKE

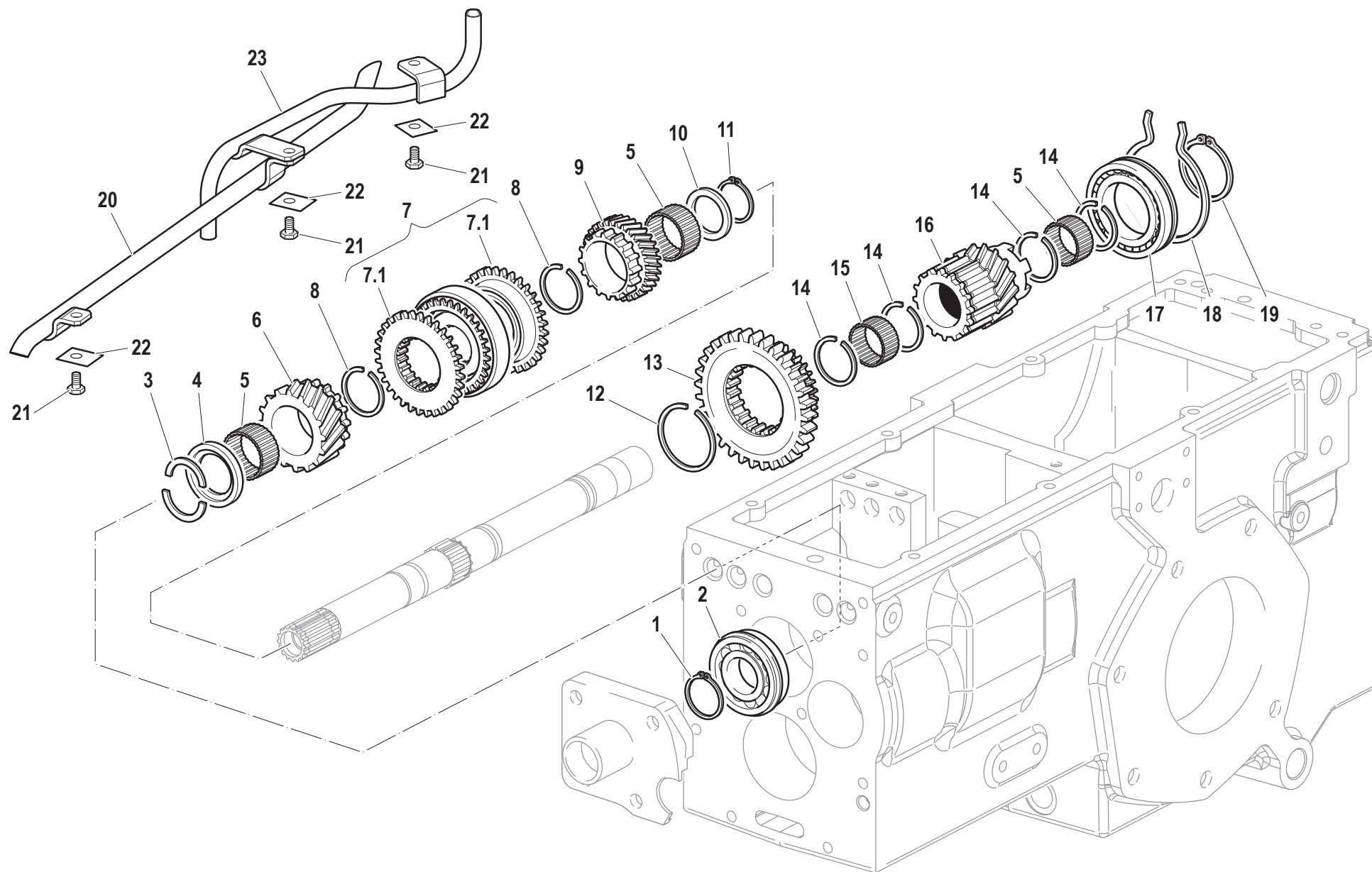
CODE REV

D.06.01.L20003_0

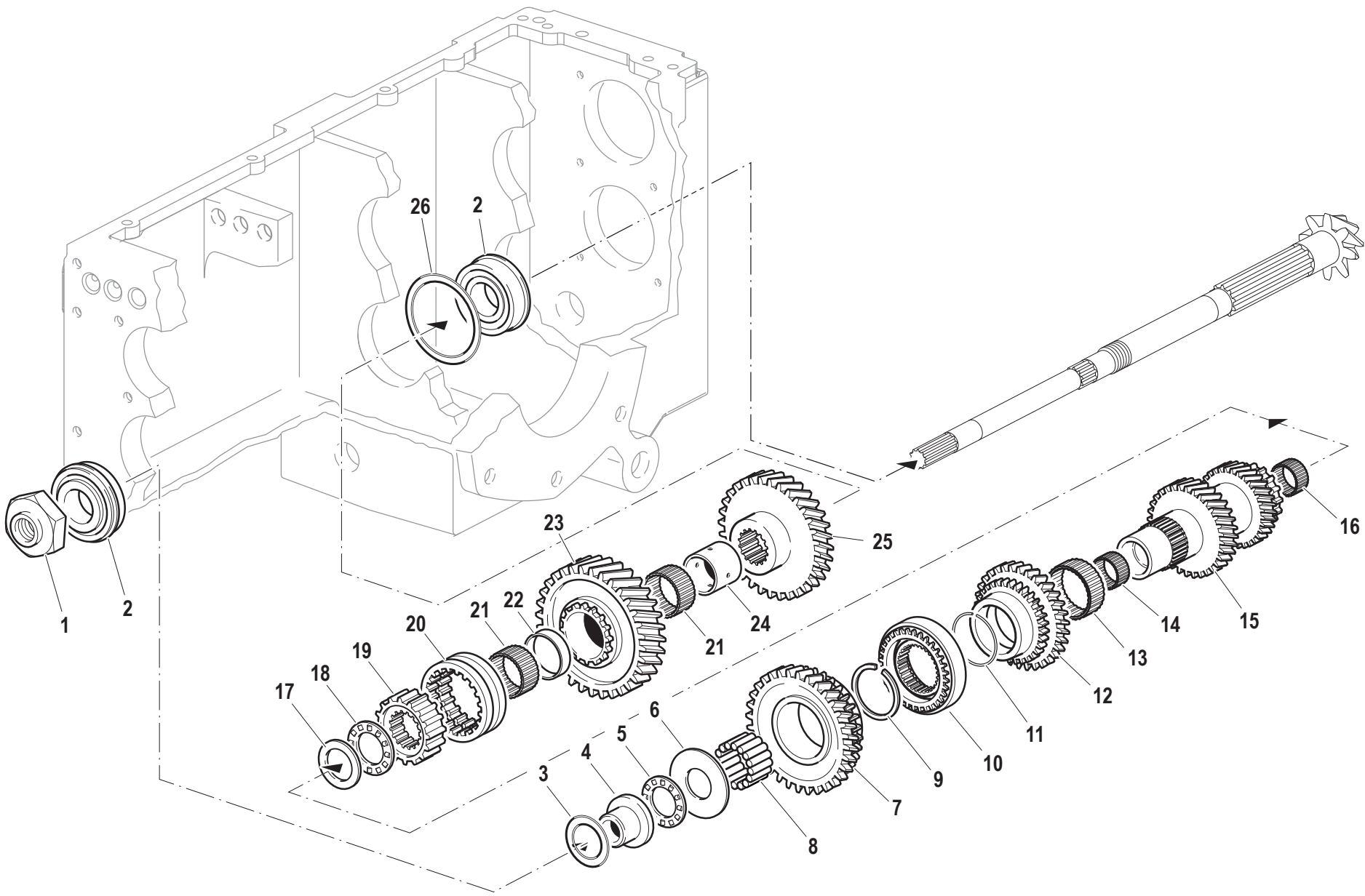
PARKING BRAKE



| Pos. | Code | Q.ty | Description | Notes |
|------|-------------|------|--------------------------|-------|
| 35 | 31112208 | 1 | SCREW TE M10X16 UNI 5739 | |
| 36 | F0843755000 | 1 | WASHER 10 | |



| Pos. | Code | Q.ty | Description | Notes |
|------|-------------|------|------------------------------|-------|
| 1 | F0801241010 | 1 | SEEGER RING E 30 UNI 7436 | |
| 2 | F0812750000 | 1 | BEARING 6206-NR (30X62/16) | |
| 3 | 56371440 | 2 | HALF RING | |
| 4 | 56471441 | 1 | SHIM | |
| 5 | F0812737000 | 2 | ROLLER CAGE K 30X35/27 | |
| 6 | 52479154 | 1 | SPEED GEAR | |
| 7 | 58179928 | 1 | LOCK SYNCHRONIZER | |
| 8 | F0801266050 | 2 | SAFETY RING | |
| 9 | 52479155 | 1 | SPEED GEAR | |
| 10 | 56471654 | 1 | SHIM | |
| 11 | 35121030 | 1 | SEEGER RING E 30 DIN 471 | |
| 12 | F0801346200 | 1 | SAFETY RING | |
| 13 | 52479156 | 1 | SLIDING GEAR | |
| 14 | F0801266000 | 4 | SAFETY RING | |
| 15 | F0812736010 | 1 | ROLLER CAGE K 30X35/20 H | |
| 16 | 52479158 | 1 | CONDUCTOR GEAR | |
| 17 | 50974166 | 1 | BEARING | |
| 18 | 58073788 | 1 | SEEGER RING | |
| 19 | F0801331050 | 1 | SEEGER RING E 45 UNI 7436 | |
| 20 | 590A2346 | 1 | TUBO LUBR.INVERS.SINCR.55-65 | |
| 21 | 31112082 | 3 | SCREW TE M6X12 UNI 5739 8G | |
| 22 | 31450060 | 3 | SMALL PLATE | |
| 23 | 590A0756 | 1 | TUBO SFIATO 55-65 | |



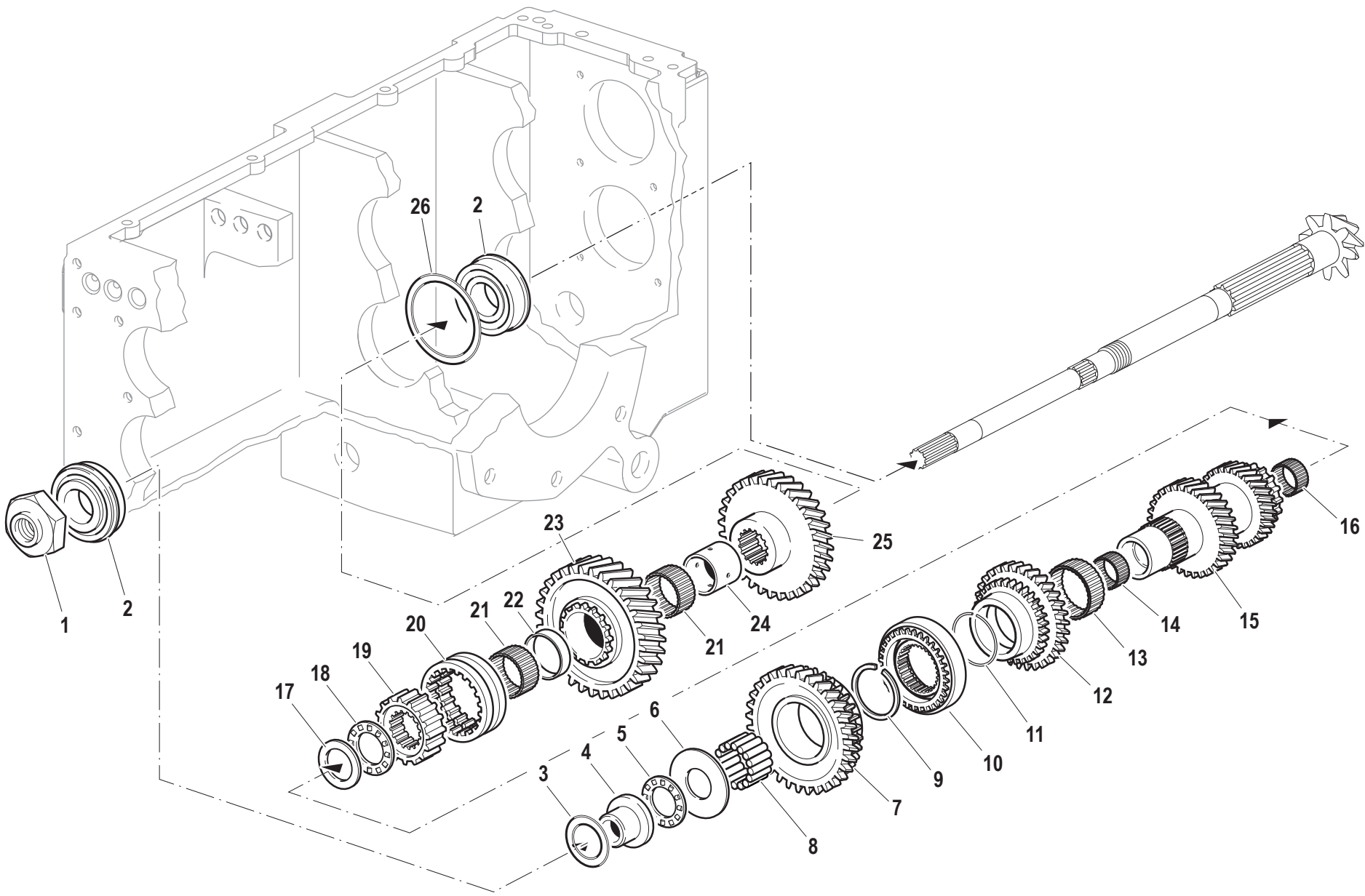
| Pos. | Code | Q.ty | Description | Notes |
|------|-------------|------|-----------------------------|-------|
| 1 | 56371652 | 1 | NUT | |
| 1 | F0812810101 | 2 | IR RING | |
| 1 | F0812810102 | 2 | OUTER RING | |
| 2 | 37120000 | 1 | BEARING | |
| 3 | 58024193 | 0.2 | SHIM | |
| 3 | 58024194 | 0.2 | SHIM | |
| 3 | 58024195 | 0.2 | SHIM | |
| 3 | 58024196 | 0.2 | SHIM | |
| 3 | 58074109 | 0.2 | SHIM | |
| 4 | 56471655 | 1 | BUSHING | |
| 5 | 58173790 | 1 | BEARING | |
| 6 | 52473789 | 0.33 | THRUST PLATE | |
| 6 | 52473812 | 0.34 | THRUST PLATE | |
| 6 | 52473813 | 0.33 | THRUST PLATE | |
| 7 | 524A2303 | 1 | DRIVE GEAR 1°VEL.50-60CV | |
| 8 | 58179169 | 33 | ROLLER | |
| 9 | F0801280100 | 1 | SAFETY RING | |
| 10 | 58175937 | 1 | LOCK SYNCHRONIZER | |
| 11 | 58072505 | 1 | SHOULDERED WASHER | |
| 12 | 52479164 | 1 | DRIVEN GEAR | |
| 13 | F0812918050 | 1 | ROLLER CAGE K 42X47/17 | |
| 14 | F0812686100 | 1 | ROLLER CAGE K 25X30X24 H | |
| 15 | 524A2302 | 1 | DO.DRI.GEAR 3°-4°VEL50-60CV | |
| 16 | F0812732080 | 1 | ROLLER CAGE 27X34/17 H | |
| 17 | 52473796 | 1 | THRUST PLATE | |
| 18 | 58173797 | 1 | BEARING | |
| 19 | 52473721 | 1 | SLEEVE | |
| 20 | 52471459 | 1 | SLIDING SLEEVE | |
| 21 | F0812871030 | 2 | ROLLER CAGE K 37X42/17 | |
| 22 | 56271457 | 1 | SPACER | |
| 23 | 52479160 | 1 | DOUBLE GEAR | |
| 24 | 56471461 | 1 | BUSHING | |
| 25 | 52479157 | 1 | SPEED GEAR | |
| 26 | 56371661 | 0.2 | ADJUSTING RING | |

SERIAL

GEARS TRANSMISSION SHAFT / GEARS

CODE REV

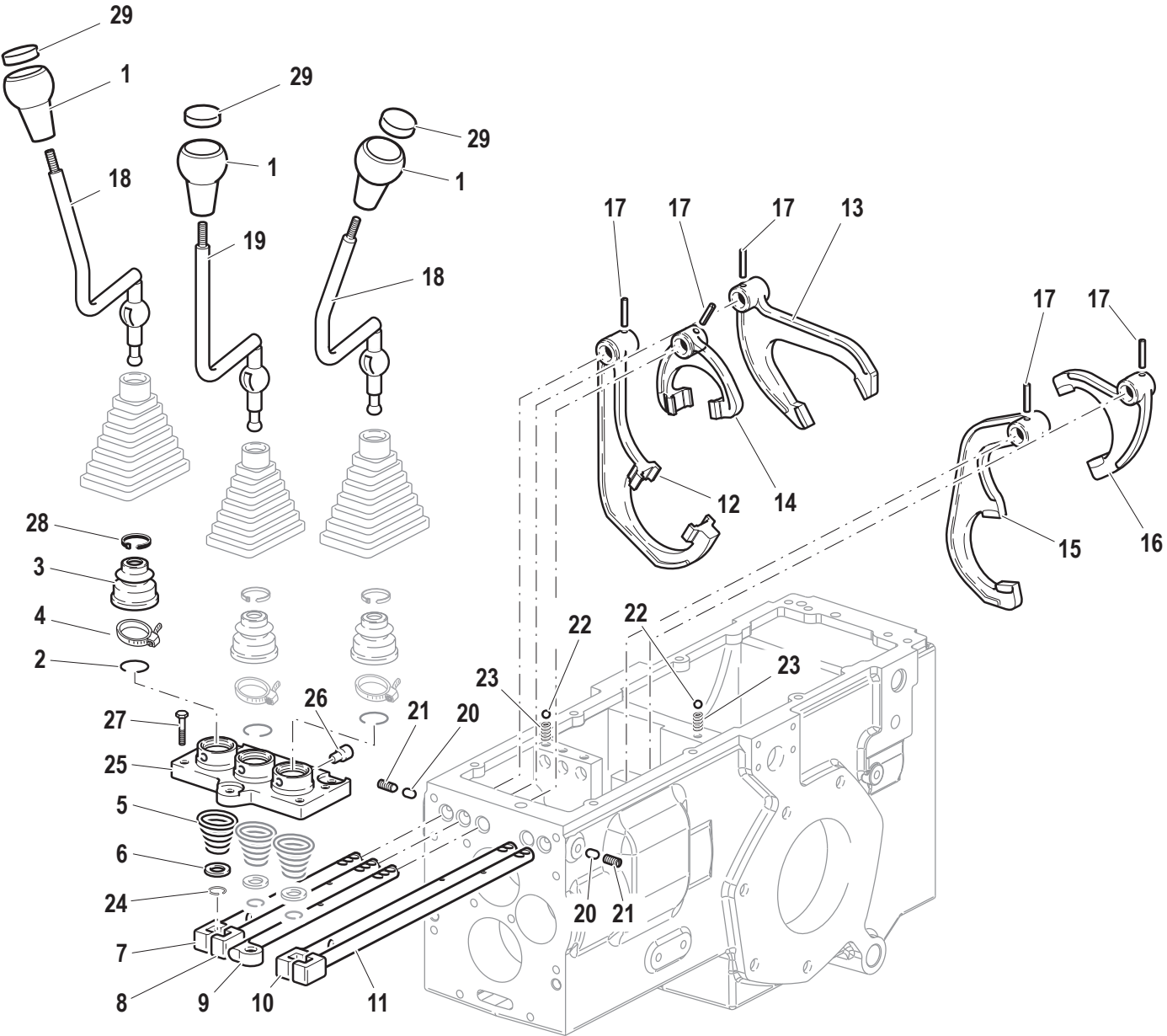
D.08.01.L20003_0



D.08.01.L20003_0.ai

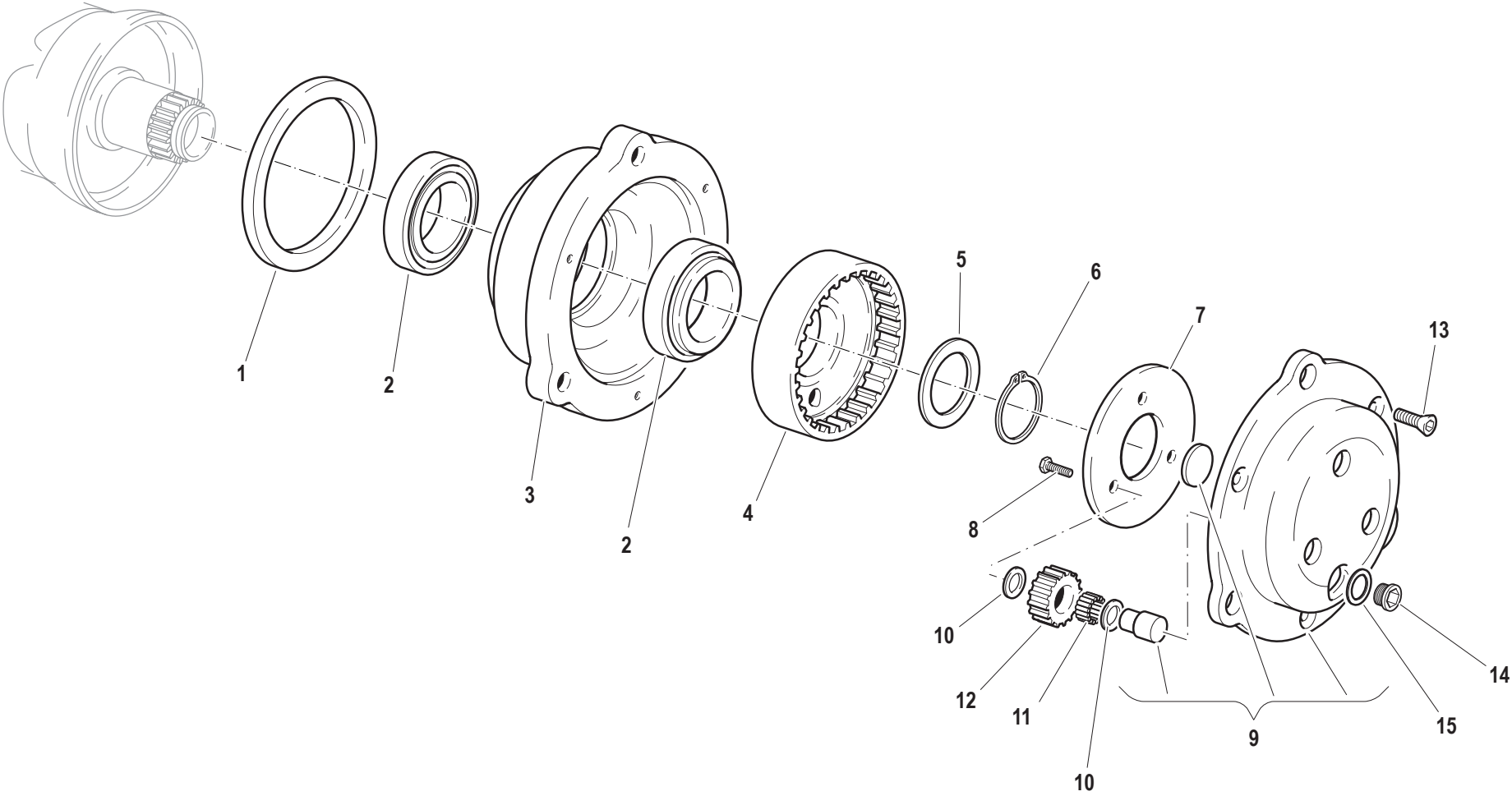
| Pos. | Code | Q.ty | Description | Notes |
|-------------|-------------|-------------|--------------------|--------------|
| 26 | 56371662 | 0.2 | ADJUSTING RING | |
| 26 | 56371663 | 0.2 | ADJUSTING RING | |
| 26 | 56371664 | 0.2 | ADJUSTING RING | |
| 26 | 56373440 | 0.2 | ADJUSTING RING | |

GEARBOX CONTROLS

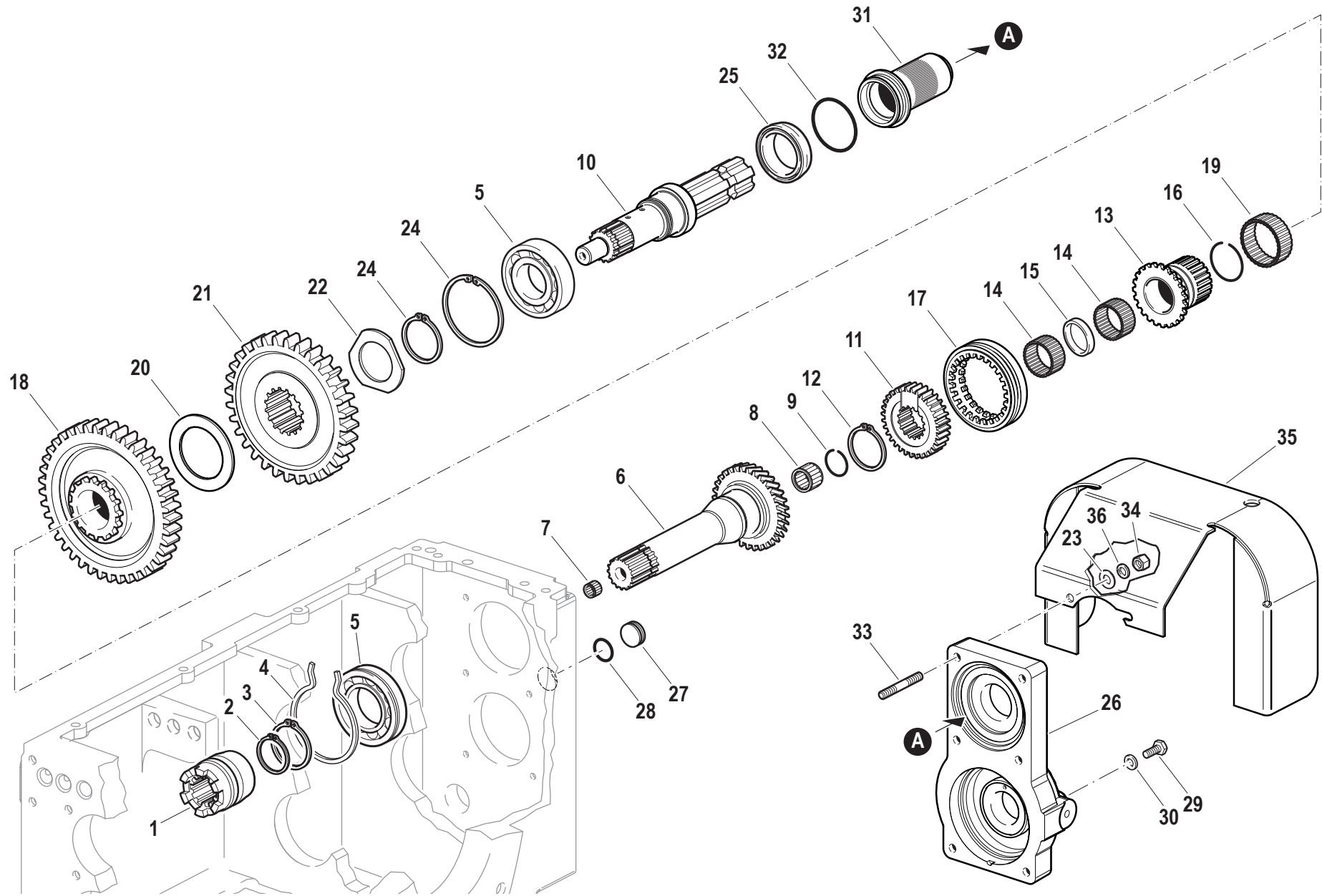


| Pos. | Code | Q.ty | Description | Notes |
|------|--------------|------|--------------------------------|-------|
| 1 | 581A1577 | 3 | KNOB | |
| 2 | 58070169 | 3 | LOCKRING | |
| 3 | 551A1603 | 3 | GEAR LEVERS CAP | |
| 4 | F0817500470 | 3 | CLAMP | |
| 5 | 58070164 | 3 | SPRING | |
| 6 | 56370172 | 3 | SPACER | |
| 7 | 56379287 | 1 | PULL ROD | |
| 8 | 56379290 | 1 | PULL ROD | |
| 9 | 56379286 | 1 | PULL ROD | |
| 10 | 56379289 | 1 | PULL ROD | |
| 11 | 56379288 | 1 | PULL ROD | |
| 12 | 52275923 | 1 | SELECTOR FORK | |
| 13 | 52373240 | 1 | SELECTOR FORK | |
| 14 | 52275924 | 1 | SELECTOR FORK | |
| 15 | 51272405 | 1 | SELECTOR FORK | |
| 16 | 51279318 | 1 | GEAR FORK | |
| 17 | F0851180000 | 5 | PIN 5X26 DIN 1481 CL:C72 | |
| 18 | 523A2301 | 2 | GEAR LEVER +GAMME K60-V65-REV- | |
| 19 | 523A2300 | 1 | REVERSE GEAR LEVER K60-V65-REV | |
| 20 | 56571697 | 2 | TOGGLE | |
| 21 | F0863105000 | 2 | SCREW M10X10 UNI 5923 | |
| 22 | F0847434000 | 5 | BALL | |
| 23 | 58070741 | 5 | SPRING | |
| 24 | 58070168 | 3 | LOCKRING | |
| 25 | 511A2298 | 1 | COP.LEVE CAMBIO K60-65-REV- | |
| 26 | 56370018 | 6 | HINGE PIN | |
| 27 | P00000000500 | 4 | SCREW M8X30 DIN 7984 8G | |
| 28 | F0817640003 | 3 | CLAMP 4,8x180 | |
| 29 | 561A1576 | 3 | ALU KNOB COVER | |

| Pos. | Code | Q.ty | Description | Notes |
|------|-------------|------|--------------------------|-------|
| 1 | 38212006 | 1 | OIL SEAL 20x42/7 | |
| 2 | 35111042 | 2 | SEEGER RING I 42 DIN 472 | |
| 3 | F0812631000 | 1 | BEARING 6004 (20X42/12) | |
| 4 | 59379580 | 1 | BEVEL GEAR | |
| 5 | F0863267050 | 8 | SCREW M10x25 | |
| 6 | 52471513 | 1 | CROWN WHEEL | |
| 7 | 52471516 | 1 | CROWN WHEEL | |
| 8 | 52471509 | 2 | PLANETARY GEAR | |
| 9 | 56371994 | 1 | PIN | |
| 10 | 56471508 | 1 | PIN | |
| 11 | 51374866 | 1 | HOUSING | |
| 12 | 59071518 | 1 | SLEEVE | |
| 13 | F0812895000 | 2 | BEARING 32008 (40X68X19) | |
| 15 | 52572606 | 1 | REAR AXLE SHAFT | |
| 16 | 52572605 | 1 | REAR AXLE SHAFT | |
| 14.1 | 56371582 | 0.8 | RING | |
| 14.2 | 56371583 | 0.8 | RING | |
| 14.3 | 56371584 | 0.8 | RING | |
| 14.4 | 56371585 | 0.8 | RING | |
| 14.5 | 56371586 | 0.8 | RING | |



| Pos. | Code | Q.ty | Description | Notes |
|------|-------------|------|---------------------------|-------|
| 1 | F0802700150 | 2 | SEAL 125x150x12 | |
| 2 | F0812973000 | 4 | BEARING 32011X | |
| 3 | 51172508 | 2 | HUB | |
| 4 | 52473920 | 2 | CROWN WHEEL | |
| 5 | 56371575 | 0.3 | SHIM | |
| 5 | 56371576 | 0.3 | SHIM | |
| 5 | 56371577 | 0.3 | SHIM | |
| 5 | 56371578 | 0.3 | SHIM | |
| 5 | 56371579 | 0.3 | SHIM | |
| 5 | 56373349 | 0.3 | SHIM | |
| 5 | 56373350 | 0.3 | SHIM | |
| 6 | F0801346000 | 2 | SEEGER RING E 48 UNI 7436 | |
| 7 | 56173919 | 2 | ADJUSTING RING | |
| 8 | F0862090000 | 6 | SCREW M6X16 8.8 | |
| 9 | 59273944 | 2 | COVER | |
| 10 | 58171567 | 12 | SHIM | |
| 11 | 58171653 | 120 | ROLLER | |
| 12 | 52473921 | 6 | PLANETARY GEAR | |
| 13 | F0862655000 | 6 | SCREW M8X25-5933 | |
| 14 | 56370081 | 2 | PLUG | |
| 15 | F0844273090 | 2 | GASKET 22X28X1,5 CU 99,5 | |



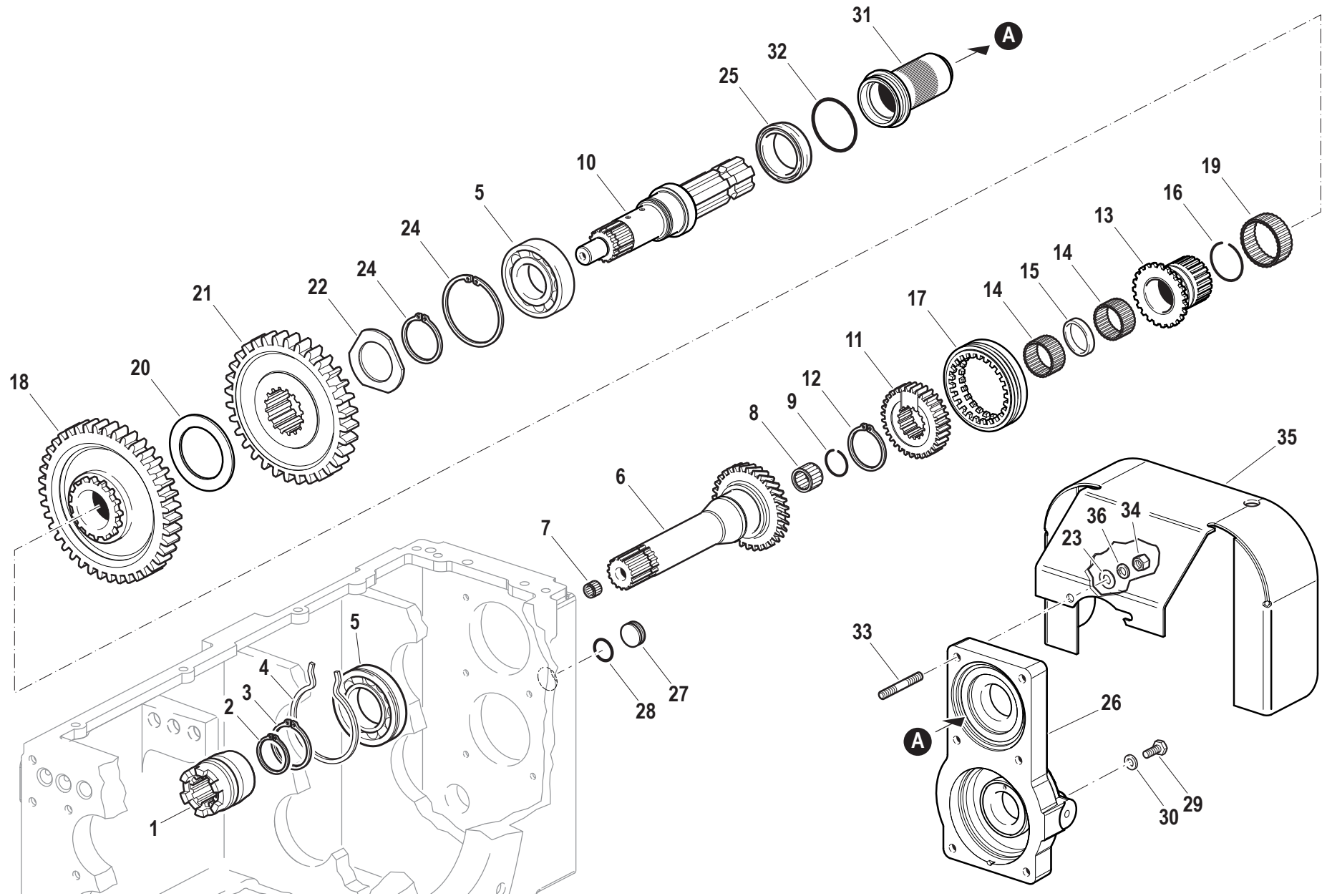
| Pos. | Code | Q.ty | Description | Notes |
|------|--------------|------|-------------------------------|-------|
| 1 | 52474190 | 1 | GEAR SLEEVE | |
| 2 | 35121030 | 1 | SEEGER RING E 30 DIN 471 | |
| 3 | 35121040 | 1 | SEEGER RING E 40 DIN 471 | |
| 4 | 58179237 | 1 | SEEGER RING | |
| 5 | F0812899000 | 2 | BEARING 6208-NR | |
| 6 | 52479220 | 1 | PTO SHAFT | |
| 7 | F0812525100 | 1 | BUSHING HK1210-B | |
| 8 | F0812599090 | 1 | ROLLER CAGE K 18x24/20 | |
| 9 | F0801175500 | 1 | SAFETY RING | |
| 10 | 52479225 | 1 | PTO SHAFT | |
| 11 | 52479223 | 1 | FIX SLEEVE | |
| 12 | F0801244080 | 1 | SEEGER RING E 32X2 UNI 7436 | |
| 13 | 52479222 | 1 | GEAR SLEEVE | |
| 14 | 37321317 | 2 | ROLLER CAGE | |
| 15 | 56379267 | 1 | SPACER | |
| 16 | 37931413 | 1 | SAFETY RING | |
| 17 | 52479233 | 1 | SHIFTING CLAW | |
| 18 | 524A2294 | 1 | DRIVE GEAR PDF 540 K60-V65 | |
| 19 | F0812951200 | 1 | ROLLER CAGE K 50X55/20 H | |
| 20 | 56475568 | 1 | SHIM | |
| 21 | 524A2296 | 1 | DRIVE GEAR PDF 750 K60-V65 | |
| 22 | 56479240 | 1 | THRUST PLATE | |
| 23 | 31411084 | 2 | WASHER 8,4x17 | |
| 24 | F0801297050 | 2 | SEEGER RING E 40x2,5 U/7436 | |
| 25 | F0802228005 | 1 | SEAL 48x65/10 | |
| 26 | 59379041 | 1 | COVER | |
| 27 | 56074313 | 1 | PLUG | |
| 28 | F0803199010 | 1 | O-RING 132 (23,81X2,62) | |
| 29 | F0862448100 | 1 | SCREW M8X10 UNI 5740 | |
| 30 | F0843641000 | 1 | COPPER WASHER 8x14/1,5 | |
| 31 | P47033000000 | 1 | GUARD | |
| 32 | P47043300000 | 1 | PROTECTIVE RING | |
| 33 | 31312087 | 6 | PRIG.M8x40 UNI 5911 8.8 ZNT/B | |
| 34 | 31211080 | 6 | NUT M8 | |

SERIAL

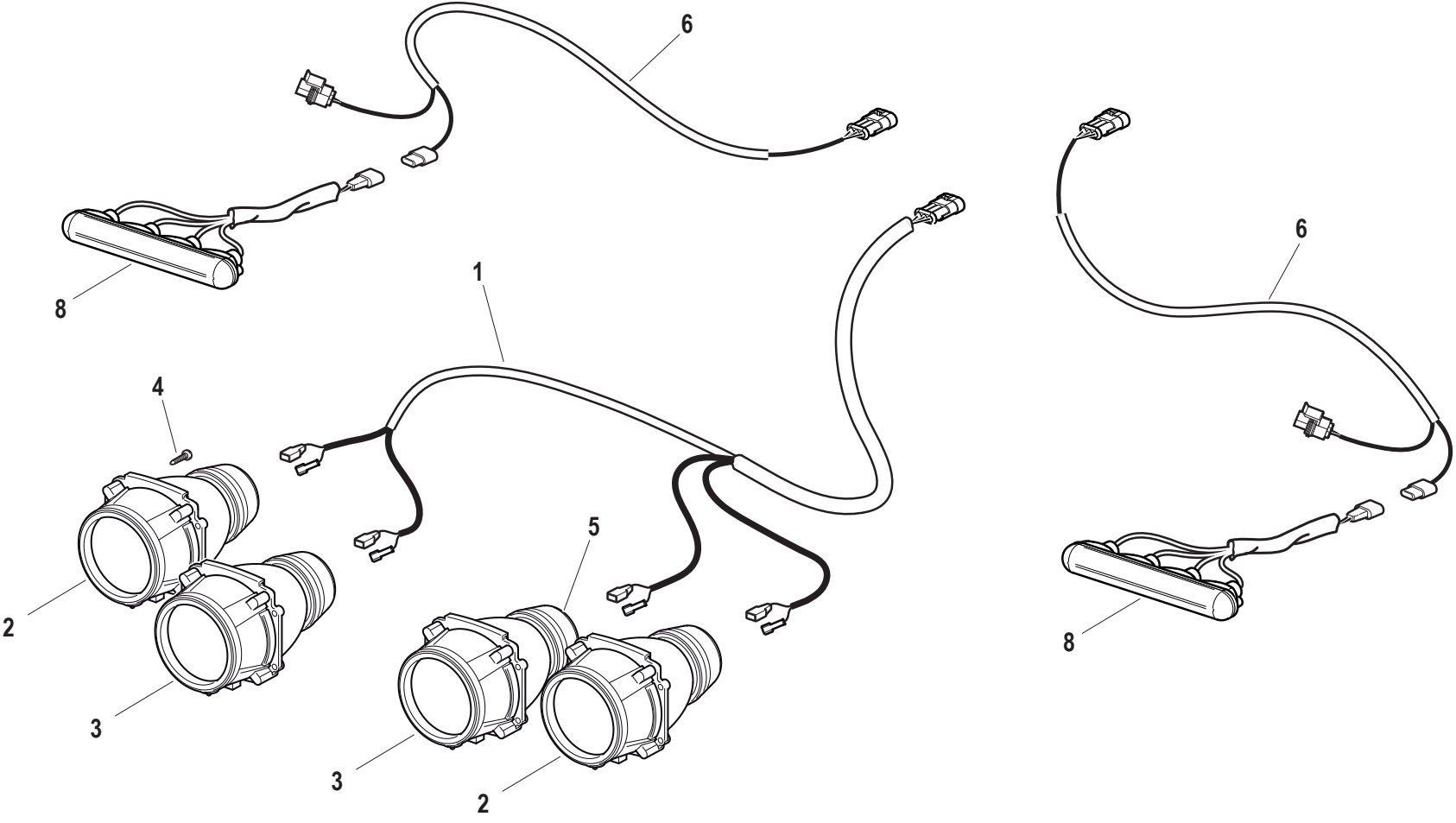
POWER TAKE-OFF

CODE REV

D.14.01.L20003_0

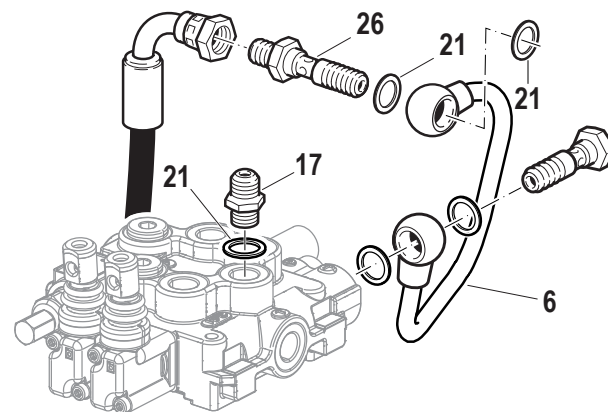
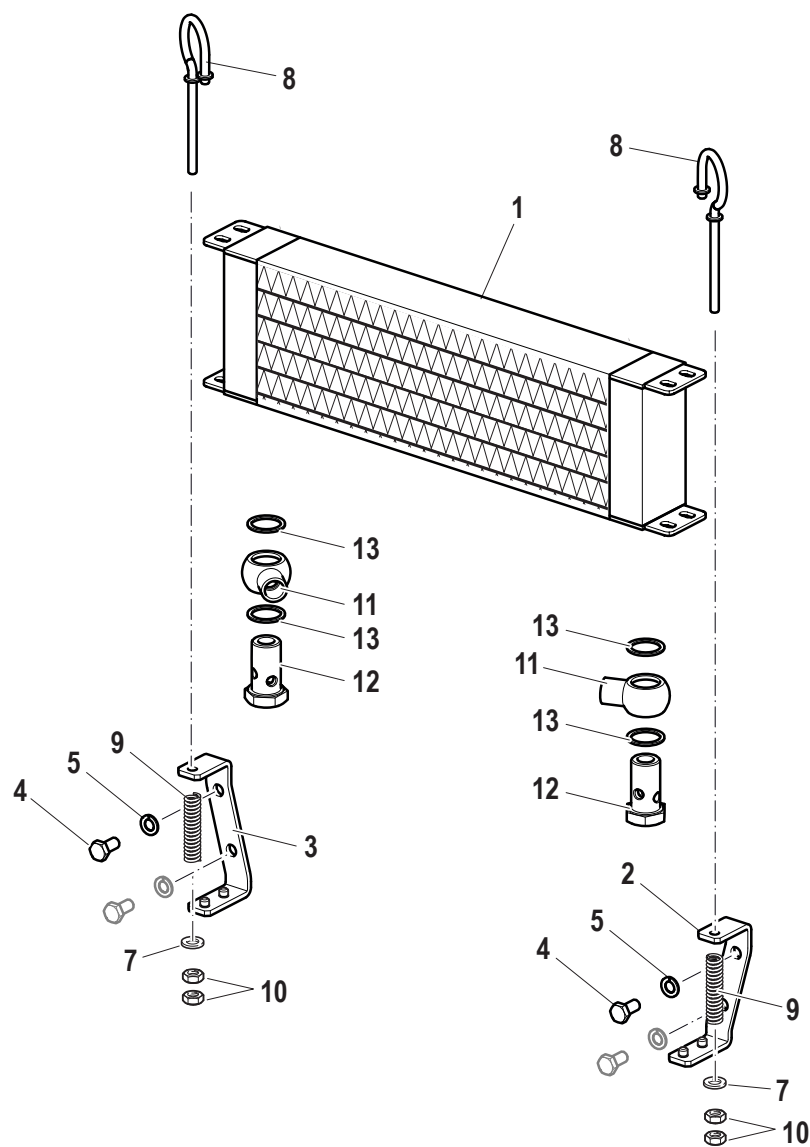


| Pos. | Code | Q.ty | Description | Notes |
|------|-------------|------|-------------------|-------|
| 35 | 560A1035 | 1 | P.T.O. PROTECTION | |
| 36 | F0843643060 | 2 | WASHER 8 | |

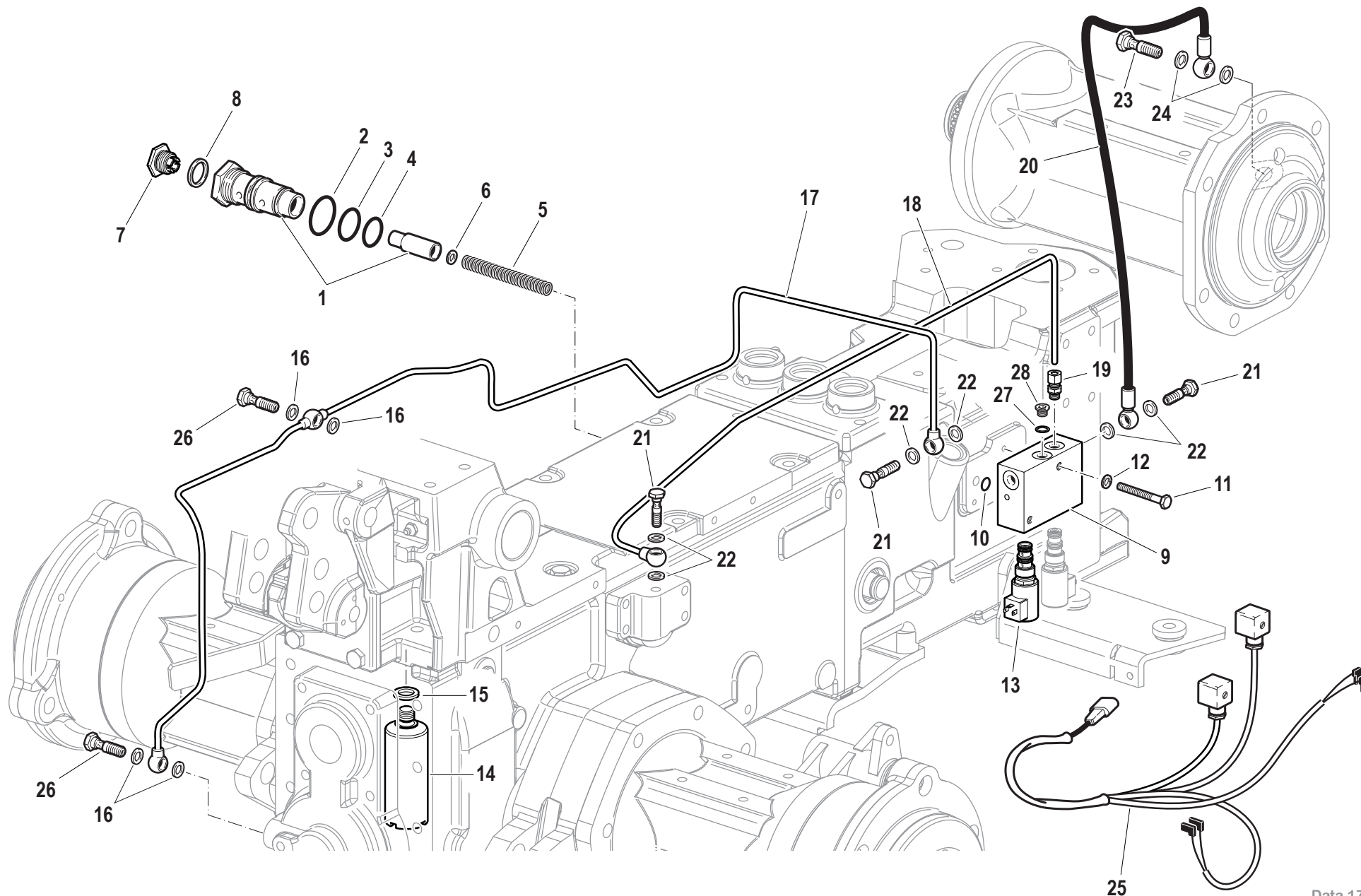


| Pos. | Code | Q.ty | Description | Notes |
|------|-------------|------|------------------------|-------|
| 1 | 580A0478 | 1 | CABLE | |
| 2 | 581A0071 | 2 | OPTICAL GROUP | |
| 3 | 58176395 | 2 | OPTICAL GROUP | |
| 4 | F0861867050 | 16 | SCREW M4,2X19 DIN 7981 | |
| 5 | 58176743 | 4 | CAP | |
| 6 | 580A0479 | 2 | CABLE | |
| 8 | 58176406 | 4 | INDICATOR | |

| Pos. | Code | Q.ty | Description | Notes |
|------|-------------|------|------------------------------|-------|
| 1 | F0825480100 | 1 | BATTERY | |
| 2 | F0190018909 | 1 | LINING | |
| 3 | 580A3036 | 1 | CAVO INFERIORE MASSA K60-V65 | |
| 4 | 31112880 | 1 | SCREW TE M12X1,25X20 UNI5740 | |
| 5 | F0843755000 | 1 | WASHER 10 | |
| 6 | 580A3035 | 1 | CAVO SUPERIORE MASSA K60-V65 | |
| 7 | 580A2742 | 1 | CAVO ANTERIORE MOTORE K60 | |
| 8 | F0825417000 | 1 | HORN | |
| 9 | 561A0929 | 1 | FIXING BRACKET | |
| 10 | 31112208 | 1 | SCREW TE M10X16 UNI 5739 | |
| 11 | F0843755000 | 1 | WASHER 10 | |



| Pos. | Code | Q.ty | Description | Notes |
|------|-------------|------|-------------------------------|-------|
| 1 | 581A2355 | 1 | SCAMBIATORE OLIO-8SRA00617- | |
| 2 | 590A2228 | 1 | SUPP.DX SCAMBIATORE K60 grz | |
| 3 | 590A2229 | 1 | SUPP.SX SCAMBIATORE K60 grz | |
| 4 | 31111151 | 4 | SCREW TE M8X16 UNI 5739 8G | |
| 5 | F0843643060 | 4 | WASHER 8 | |
| 6 | 590A0562 | 1 | TUBO SCAR.DISTR.DX 55-65-AR- | |
| 7 | 31411064 | 2 | WASHER 6,4x12,5 | |
| 8 | 59077943 | 2 | ROD | |
| 9 | 58077942 | 2 | SPRING | |
| 10 | F0814547000 | 2 | SELFLOCK NUT M6 | |
| 11 | 561A0546 | 2 | PIPE FITTING | |
| 12 | 56172547 | 2 | THREADED TERMINAL END | |
| 13 | F0824113000 | 4 | COPPER WASHER 18X24/1,5 | |
| 14 | 580A3042 | 1 | TUBO FLESS.INGRESSO SCAMB.K60 | |
| 15 | 580A3043 | 1 | TUBO FLESS.USCITA SCAMB.K60 | |
| 17 | 30000197 | 1 | NIPPLE | |
| 21 | F0824110000 | 6 | COPPER WASHER 3/8 GAS | |



| Pos. | Code | Q.ty | Description | Notes |
|------|--------------|------|--------------------------------|-------|
| 1 | 59379589 | 1 | COMPLETE MAX PRESSURE VALVE | |
| 2 | 38112982 | 1 | O-RING | |
| 3 | F0803199010 | 1 | O-RING 132 (23,81X2,62) | |
| 4 | F0803072050 | 1 | O-RING 2093 (23,52x1,78) | |
| 5 | 580A1227 | 1 | MOLLA VALV.MAX.PRESS.36-65 | |
| 6 | F0843526000 | 1 | WASHER 4,3x12/1,5 | |
| 7 | 563A3038 | 1 | RACC.REGOLAT.PRESSIONE K60-V65 | |
| 8 | F0844200050 | 1 | COPPER WASHER 20,0x26/1,5 | |
| 9 | 56179531 | 1 | SMALL BLOCK | |
| 10 | 38110992 | 2 | O-RING 112 (9,92X2,62) | |
| 11 | F0862345000 | 2 | SCREW M6X40 UNI 5737 | |
| 12 | F0843570000 | 2 | WASHER 6 | |
| 13 | 58172463 | 2 | ELECTRO VALVE | |
| 14 | 59271011 | 1 | UNIT | |
| 15 | F0843948000 | 1 | COPPER WASHER 14,0x20/1,5 | |
| 16 | F0843771000 | 4 | COPPER WASHER 10,0x16/1 | |
| 17 | 590A0570 | 1 | TUBO MANDATA FRIZ.PDF 55-65 | |
| 18 | 590A0571 | 1 | TUBO BLOCC.DIFF.POST.55-65 | |
| 19 | 58174547 | 1 | NIPPLE | |
| 20 | 580A0536 | 1 | TUBO FLESS.BLOC.ELETTR.55-65CV | |
| 21 | 56178695 | 3 | THREADED TERMINAL END | |
| 22 | P25412400000 | 7 | WASHER | |
| 23 | F0843107000 | 1 | PIPE FITTING GAS 1/4 | |
| 24 | F0843907000 | 2 | COPPER WASHER 13,66x19/1,5 | |
| 25 | 580A1908 | 1 | CAVO ALIMENT.LATO DX 55-65 | |
| 26 | F0862448100 | 1 | SCREW M8X10 UNI 5740 | |
| 27 | F0824022000 | 1 | SPECIAL GASKET D.8,4X12/1 | |
| 28 | F0862448100 | 1 | SCREW M8X10 UNI 5740 | |

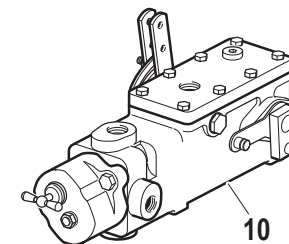
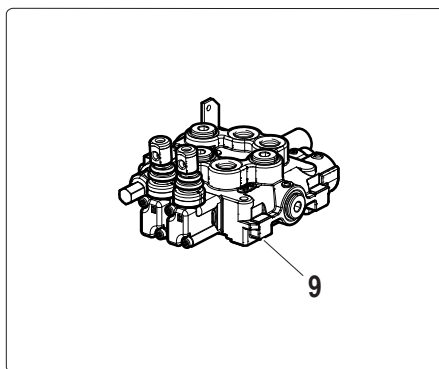
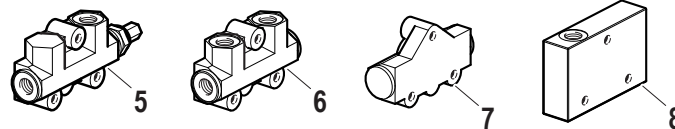
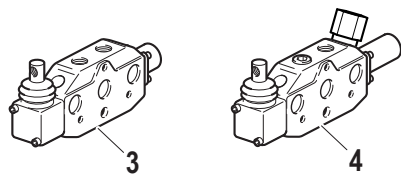
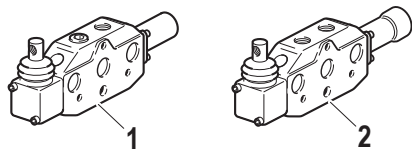
SERIAL

PTO /DIFFERENTIAL LOCK HYDR. SYSTEM

CODE REV

F.04.01.L20003_0

- VEDI TAVOLE GRUPPI...
- SEE TABLES OF GROUPS...
- VOIR TABLES GROUPES...
- SIEHE GRUPPETAFFEL...
- MIRAR TABLAS GRUPOS...

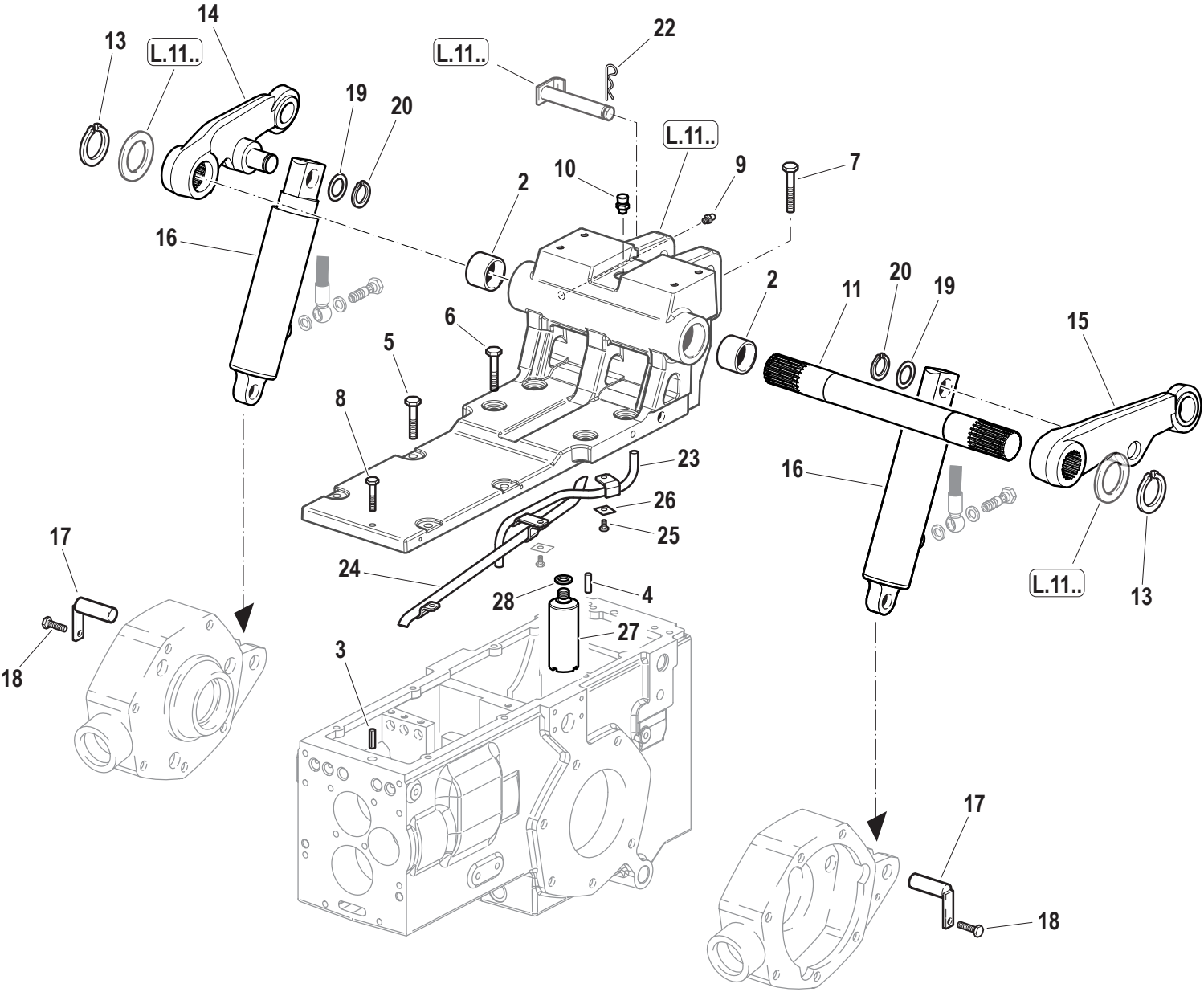


- VEDI TAVOLE GRUPPO...
- SEE TABLES OF GROUP...
- VOIR TABLES GROUPE...
- SIEHE GRUPPETAFFEL...
- MIRAR TABLAS GRUPO...

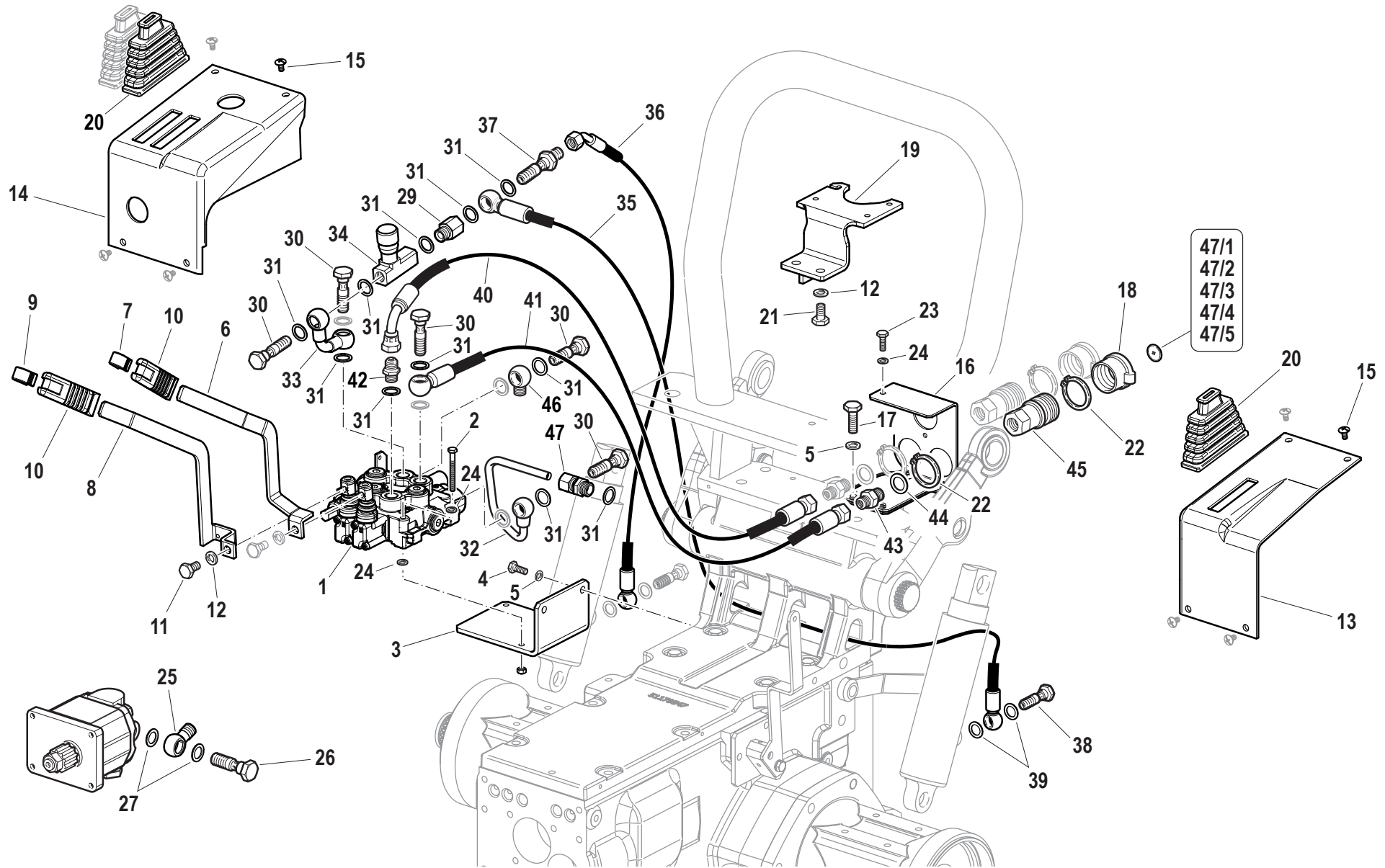


| Pos. | Code | Q.ty | Description | Notes |
|------|----------|------|-------------|-------|
| 1 | 58172011 | 1 | S.A. VALVE | |
| 2 | 58172014 | 1 | D.A. VALVE | |
| 3 | 58172012 | 2 | D.A. VALVE | |
| 4 | 581A0444 | 2 | S.A. VALVE | |
| 5 | 58172304 | 1 | HEAD | |
| 6 | 581A0443 | 1 | IN HEAD | |
| 7 | 58172489 | 1 | COVER | |
| 8 | 58173361 | 1 | COVER | |
| 9 | 581A0907 | 1 | DISTRIBUTOR | |
| 10 | 58175472 | 1 | DISTRIBUTOR | |

RAISE/LOWER LIFT



| Pos. | Code | Q.ty | Description | Notes |
|------|-------------|------|------------------------------|-------|
| 1 | 51179547 | 1 | 2 EXTERNAL RAMS LIFT SUPPORT | |
| 2 | 58175318 | 2 | BUSHING | |
| 3 | 56170017 | 1 | PIN | |
| 4 | 56370228 | 1 | CYLINDRICAL PLUG | |
| 5 | 31112211 | 4 | SCREW TE M10X30 UNI 5739 | |
| 6 | 31112212 | 4 | SCREW TE M10X35 UNI 5739 | |
| 7 | F0863359000 | 4 | SCREW M10X40 UNI 5737 | |
| 8 | 31112154 | 1 | SCREW TE M8X40 UNI 5739 8G | |
| 9 | F0826056000 | 1 | LUBRICATOR M10 UNI 7663A | |
| 10 | 58075603 | 1 | PLUG | |
| 11 | 56579874 | 1 | SHAFT | |
| 12 | 31414400 | 2 | WASHER 40 | |
| 13 | F0801297050 | 2 | SEEGER RING E 40x2,5 U/7436 | |
| 14 | 59079592 | 1 | LIFTING ARM | |
| 15 | 59079593 | 1 | LIFTING ARM | |
| 16 | 580A1345 | 2 | CILINDRO SOLLEVATORE 55-65 | |
| 17 | 590A1645 | 2 | PERNO INCERN.CILINDRO 36-65 | |
| 18 | 31111151 | 2 | SCREW TE M8X16 UNI 5739 8G | |
| 19 | 56349629 | 2 | RING | |
| 20 | 35131026 | 2 | SEEGER RING E 25X2 UNI 7436 | |
| 21 | 59078588 | 1 | CONNECTING BOLT | |
| 22 | F0851486000 | 1 | SPLIT PIN | |
| 23 | 590A0756 | 1 | TUBO SFIATO 55-65 | |
| 24 | 590A2346 | 1 | TUBO LUBR.INVERS.SINCR.55-65 | |
| 25 | 31112082 | 3 | SCREW TE M6X12 UNI 5739 8G | |
| 26 | 31450060 | 3 | SMALL PLATE | |
| 27 | 59271011 | 1 | UNIT | |
| 28 | F0843948000 | 1 | COPPER WASHER 14,0x20/1,5 | |



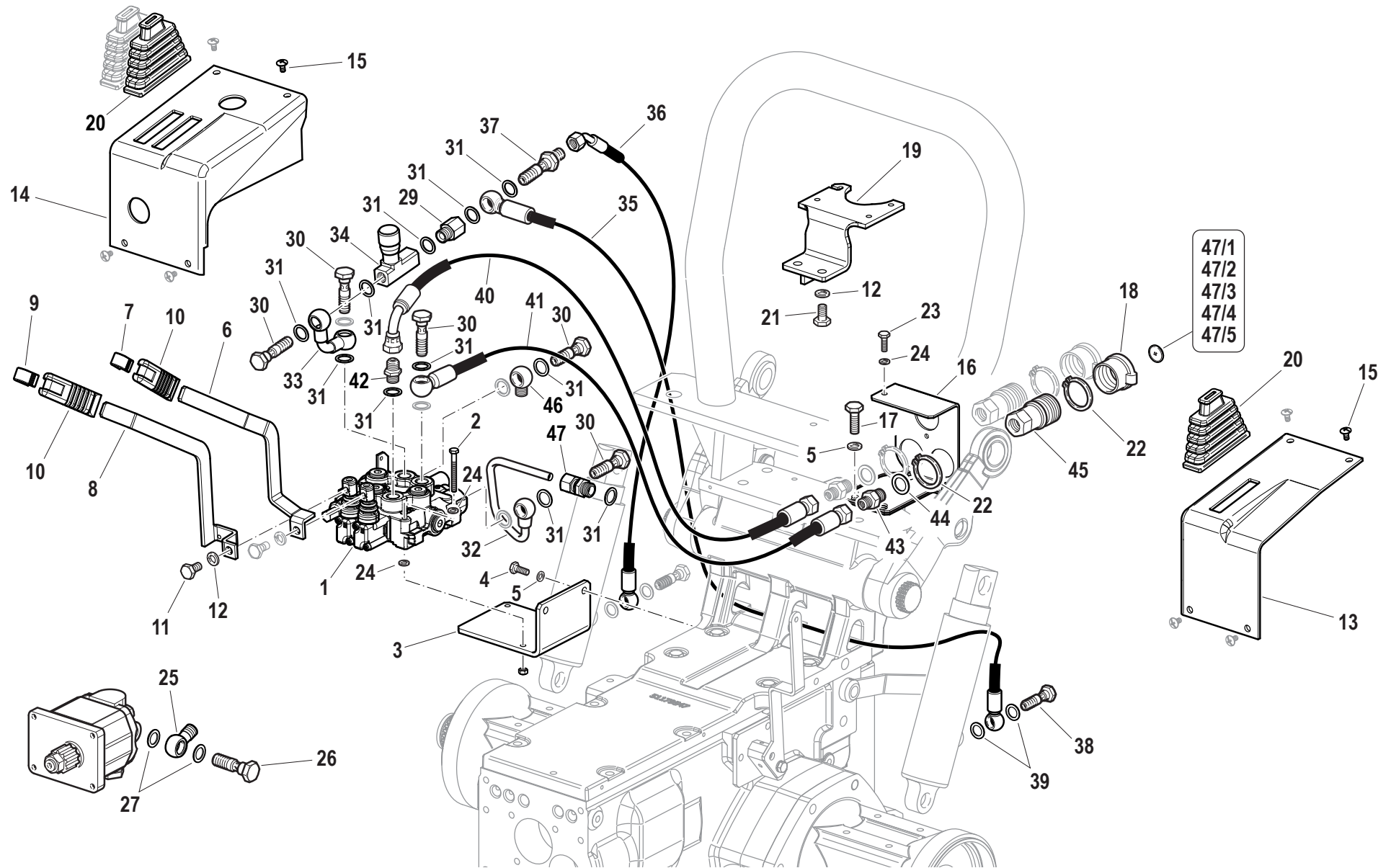
| Pos. | Code | Q.ty | Description | Notes |
|------|--------------|------|------------------------------|-------|
| 1 | 581A0907 | 1 | DISTRIBUTOR | |
| 2 | 31111102 | 2 | SCREW TE M6X50 UNI 5737 8G | |
| 3 | 561A0002 | 1 | RETAINER | |
| 4 | 31112150 | 2 | SCREW TE M8X20 UNI 5739 8G | |
| 5 | F0843643060 | 3 | WASHER 8 | |
| 6 | 561A0003 | 1 | DISTRIBUTOR LEVER | |
| 7 | 58175188 | 1 | INSERT | |
| 8 | 561A0004 | 1 | DISTRIBUTOR LEVER | |
| 9 | 58175211 | 1 | INSERT | |
| 10 | 58175187 | 2 | KNOB | |
| 11 | 31112208 | 2 | SCREW TE M10X16 UNI 5739 | |
| 12 | F0843755000 | 2 | WASHER 10 | |
| 13 | 573A2658 | 1 | COPERT.DX K60-V65 AR-REV- | |
| 14 | 573A2659 | 1 | COPERT.SX K60-65 AR-REV- | |
| 15 | F0861973100 | 8 | SCREW M6X12 COMBI | |
| 16 | 590A0091 | 1 | STAFFA SX SUPP.G.RAP.55-65 | |
| 17 | 31111151 | 1 | SCREW TE M8X16 UNI 5739 8G | |
| 18 | F0852550100 | 2 | PLUG | |
| 19 | 590A0093 | 1 | SUPPORTING YOKE | |
| 20 | 55178581 | 3 | BELLOWS | |
| 21 | 31112210 | 2 | SCREW TE M10X20 UNI 5739 | |
| 22 | F0801282000 | 4 | SEEGER RING E 38 UNI 7435 | |
| 23 | F0862129000 | 1 | SCREW M6X18 UNI 5739 8.8 | |
| 24 | F0843570000 | 3 | WASHER 6 | |
| 25 | 561A0546 | 1 | PIPE FITTING | |
| 26 | 56172547 | 1 | THREADED TERMINAL END | |
| 27 | F0824113000 | 2 | COPPER WASHER 18X24/1,5 | |
| 28 | 58172015 | 1 | PIPE FITTING | |
| 29 | 30000200 | 2 | EXTENSION | |
| 30 | F0843109020 | 5 | PIPE FITTING | |
| 31 | F0824110000 | 14 | COPPER WASHER 3/8 GAS | |
| 32 | 590A0562 | 1 | TUBO SCAR.DISTR.DX 55-65-AR- | |
| 33 | 590A0544 | 1 | TUBO REGOLATORE FLUSSO 55-65 | |
| 34 | P24117100000 | 1 | VALVE | |

SERIAL

CONTROL VALVES

CODE REV

L.02.01.L20006_0



| Pos. | Code | Q.ty | Description | Notes |
|------|-------------|------|-------------------------------|-------|
| 35 | 580A0533 | 1 | TUBO FLESS.VALV/REGOL.55-65AR | |
| 36 | 580A0534 | 1 | TUBO FLESS.VALV.REGOL.55-65CV | |
| 37 | 56375407 | 1 | TONGUE | |
| 38 | F0843107000 | 2 | PIPE FITTING GAS 1/4 | |
| 39 | F0843907000 | 4 | COPPER WASHER 13,66x19/1,5 | |
| 40 | 580A0528 | 1 | TUBO FLESS.PRESA ANT.55-65CV | |
| 41 | 580A0529 | 1 | TUBO FLESS.PRESA POST.55-65CV | |
| 42 | F0835023000 | 1 | NIPPLE | |
| 43 | F0835040000 | 2 | NIPPLE | |
| 44 | F0824141000 | 2 | COPPER WASHER 21x27/1,5 | |
| 45 | F0825980030 | 2 | COUPLING | |
| 46 | F0842505030 | 1 | PIPE FITTING | |
| 47/1 | F0852550230 | 1 | DECAL | |
| 47/2 | F0852550220 | 1 | DECAL | |
| 47/3 | F0852550210 | 1 | DECAL | |
| 47/4 | F0852550240 | 1 | DECAL | |
| 47/5 | F0852550200 | 1 | DECAL | |

| Pos. | Code | Q.ty | Description | Notes |
|------|-------------|------|--------------------------------|-------|
| 1 | 51179555 | 1 | SUPP.SOLL.SFORZO CONTR.55-65CV | |
| 2 | 58175318 | 2 | BUSHING | |
| 3 | 56170017 | 1 | PIN | |
| 4 | 56370228 | 1 | CYLINDRICAL PLUG | |
| 5 | 31112211 | 4 | SCREW TE M10X30 UNI 5739 | |
| 6 | 31112212 | 4 | SCREW TE M10X35 UNI 5739 | |
| 7 | F0863359000 | 4 | SCREW M10X40 UNI 5737 | |
| 8 | 31112154 | 1 | SCREW TE M8X40 UNI 5739 8G | |
| 9 | F0826056000 | 1 | LUBRICATOR M10 UNI 7663A | |
| 10 | 58075603 | 1 | PLUG | |
| 11 | 56579874 | 1 | SHAFT | |
| 12 | 31414400 | 2 | WASHER 40 | |
| 13 | F0801297050 | 2 | SEEGER RING E 40x2,5 U/7436 | |
| 14 | 59079592 | 1 | LIFTING ARM | |
| 15 | 59079593 | 1 | LIFTING ARM | |
| 16 | 580A1345 | 2 | CILINDRO SOLLEVATORE 55-65 | |
| 17 | 590A1645 | 2 | PERNO INCERN.CILINDRO 36-65 | |
| 18 | 31111151 | 2 | SCREW TE M8X16 UNI 5739 8G | |
| 19 | 56349629 | 2 | RING | |
| 20 | 35131026 | 2 | SEEGER RING E 25X2 UNI 7436 | |
| 21 | 59078588 | 1 | CONNECTING BOLT | |
| 22 | F0851486000 | 1 | SPLIT PIN | |
| 23 | 590A0756 | 1 | TUBO SFIATO 55-65 | |
| 24 | 590A2346 | 1 | TUBO LUBR.INVERS.SINCR.55-65 | |
| 25 | 31112082 | 3 | SCREW TE M6X12 UNI 5739 8G | |
| 26 | 31450060 | 3 | SMALL PLATE | |
| 27 | 59271011 | 1 | UNIT | |
| 28 | F0843948000 | 1 | COPPER WASHER 14,0x20/1,5 | |
| 29 | 590A0446 | 1 | SHIM | |
| 30 | 56072960 | 1 | SLEEVE | |
| 31 | 56372952 | 0.25 | SHIM | |
| 31 | 56372953 | 0.25 | SHIM | |
| 31 | 56372954 | 0.25 | SHIM | |
| 31 | 56372955 | 0.25 | SHIM | |

SERIAL

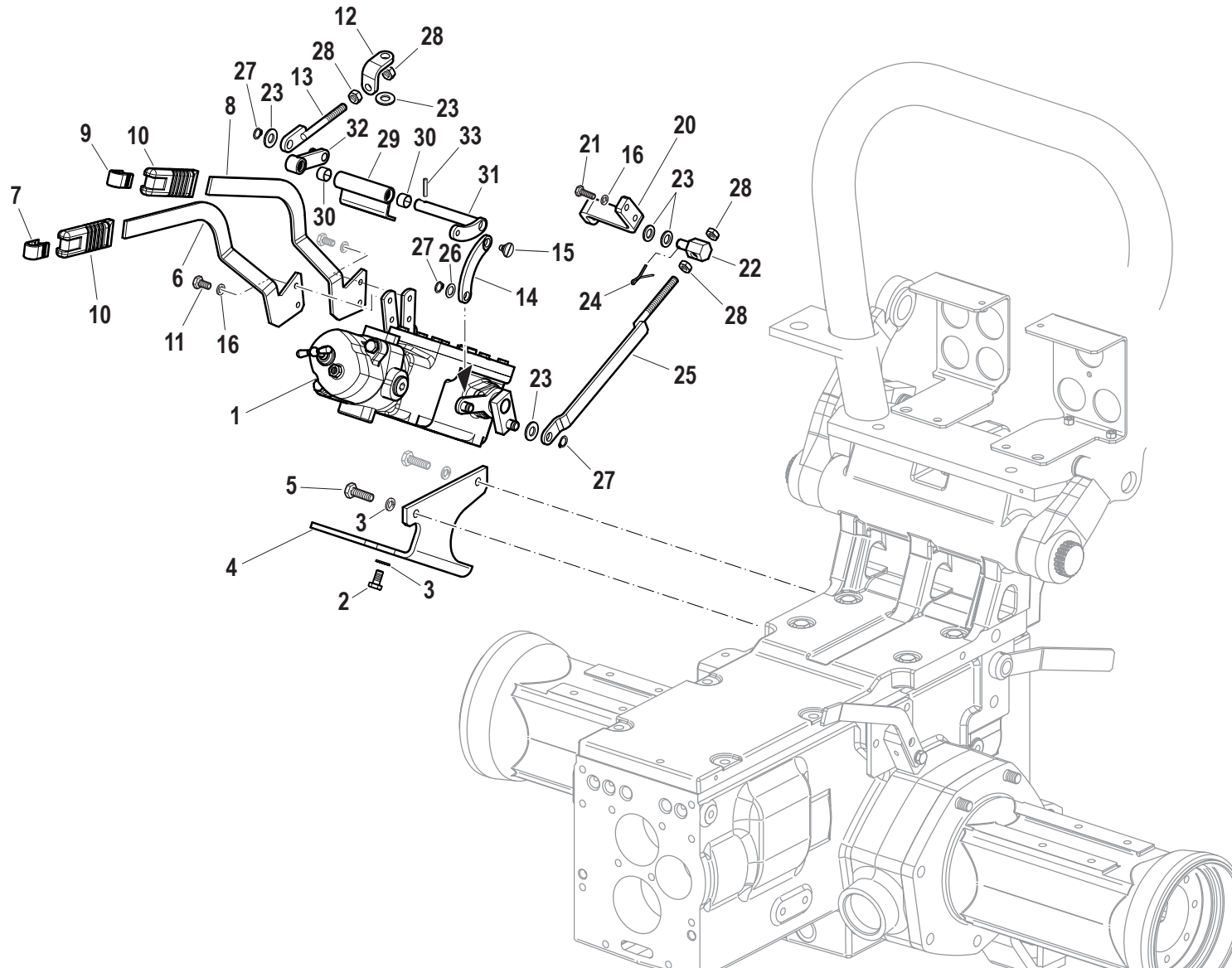
POSITION AND DRAFT CONTROL LIFT

CODE REV

M.01.01.L20003_0

| Pos. | Code | Q.ty | Description | Notes |
|-------------|-------------|-------------|--------------------------|--------------|
| 32 | 58073192 | 1 | SPRING | |
| 33 | 56073148 | 1 | SLEEVE | |
| 34 | 51379585 | 1 | BRACKET | |
| 35 | 31112212 | 4 | SCREW TE M10X35 UNI 5739 | |
| 36 | 56472318 | 1 | HINGE PIN | |
| 37 | F0862443010 | 1 | SCREW M8X10 UNI 5927 | |
| 38 | 51173115 | 1 | THREE-POINT LINKAGE | |
| 39 | 56572959 | 2 | PIN | |
| 40 | 51172962 | 1 | SLEEVE | |
| 41 | 31241142 | 1 | SELFLOCK NUT M14x1,5 | |

POSITION AND DRAFT CONTROL LIFT



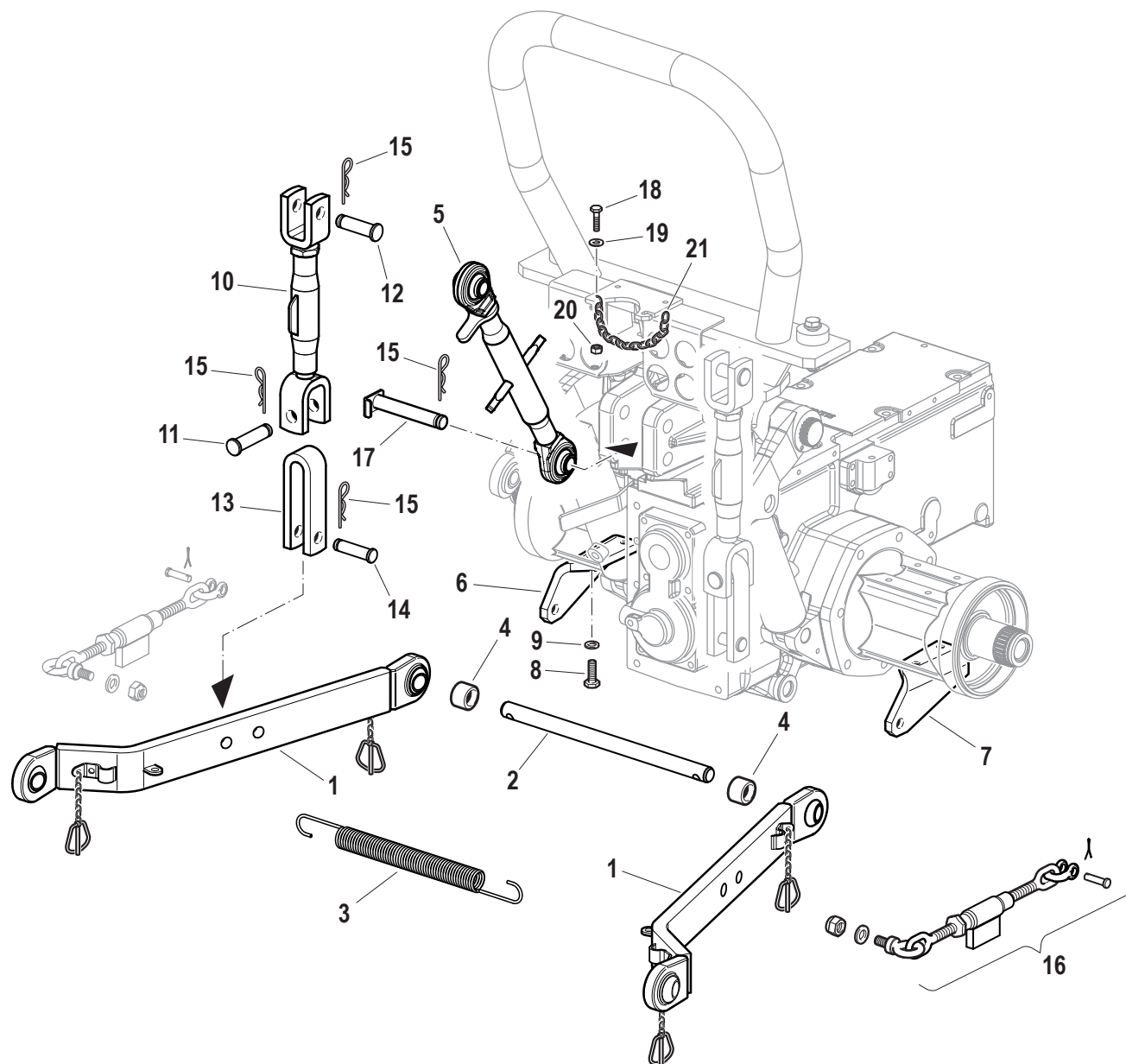
| Pos. | Code | Q.ty | Description | Notes |
|------|--------------|------|--------------------------------|-------|
| 1 | 58175472 | 1 | DISTRIBUTOR | |
| 2 | 31111151 | 4 | SCREW TE M8X16 UNI 5739 8G | |
| 3 | F0843643060 | 6 | WASHER 8 | |
| 4 | 561A0448 | 1 | FIXING BRACKET | |
| 5 | 31112151 | 2 | SCREW TE M8X25 UNI 5739 8G | |
| 6 | 561A2633 | 1 | LEVA C.SF.DIST.MITA56/66AR grz | |
| 7 | 58175188 | 1 | INSERT | |
| 8 | 561A2634 | 1 | LEVA COM.P.DIS.MITA56/66AR grz | |
| 9 | 58175211 | 1 | INSERT | |
| 10 | 58175187 | 2 | KNOB | |
| 11 | 31111090 | 4 | SCREW TE M5X10 UNI 5739 8G | |
| 12 | 563A2631 | 1 | STAF.TIR.POS.DIS.MITA K60-65 | |
| 13 | 590A0638 | 1 | TIR.LEVA POSIZ.55-65/MITA | |
| 14 | 563A0449 | 1 | STAFFA COLL.RINV.MITA 55-65CV | |
| 15 | 563A0450 | 1 | HINGE PIN | |
| 16 | F0843570000 | 3 | WASHER 6 | |
| 17 | 58177761 | 1 | KNOB | |
| 18 | 56075197 | 1 | CLIP | |
| 19 | 56077760 | 1 | SMALL BLOCK | |
| 20 | 56075473 | 1 | BRACKET | |
| 21 | 31112093 | 2 | SCREW TE M6X20 UNI 5739 8G | |
| 22 | 56075265 | 1 | HINGE PIN | |
| 23 | 31411104 | 4 | WASHER 10,5x18 | |
| 24 | 34110030 | 1 | SPLIT PIN | |
| 25 | 590A2629 | 1 | TIR.LEVA SFOR.DIS.MITA K60-65 | |
| 26 | F0843771000 | 1 | COPPER WASHER 10,0x16/1 | |
| 27 | F0801050000 | 4 | SEEGER RING E 10 UNI 7435 | |
| 28 | 31231080 | 4 | NUT M8 | |
| 29 | 590A0454 | 1 | RH HINGE | |
| 30 | P00000030911 | 2 | BUSHING | |
| 31 | 590A0451 | 1 | LEVA RINV.POS.MITA 55-65CV | |
| 32 | 590A0457 | 1 | LEVA DX RINV.POS.MITA 55-65CV | |
| 33 | 34213020 | 1 | ROLL PIN | |

SERIAL

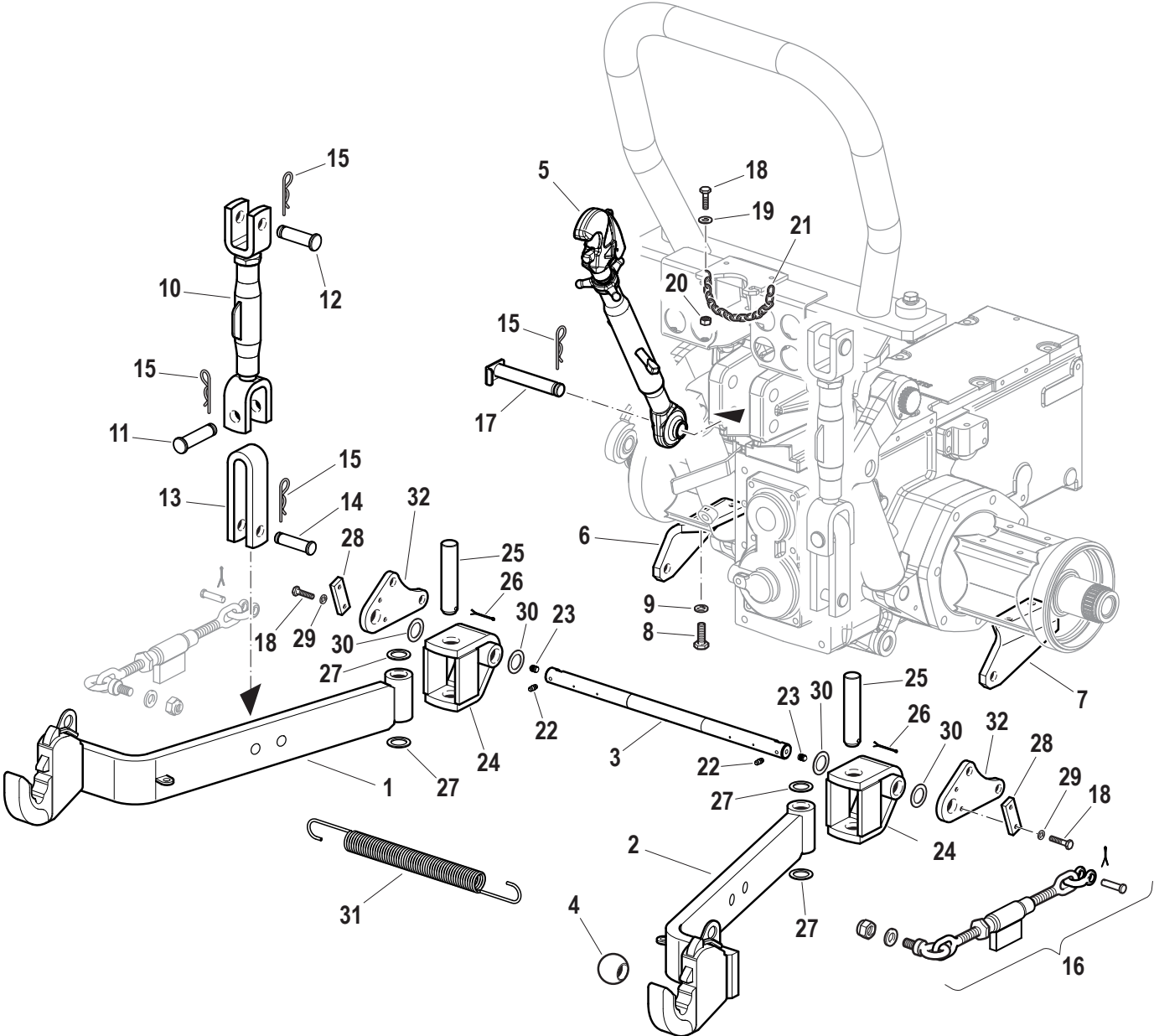
POSITION AND DRAFT CONTROL LIFT

CODE REV

M.02.01.L20006_0



| Pos. | Code | Q.ty | Description | Notes |
|------|-------------|------|-----------------------------|-------|
| 1 | 58079788 | 2 | BOTTOM LINK | |
| 2 | 565A1468 | 1 | BARRA ATT.BRACCI SOLL.36-65 | |
| 3 | 58072465 | 1 | RETAINING SPRING | |
| 4 | 561A1469 | 2 | DIST.D.38x22/30 ZNT/B | |
| 5 | 58079817 | 1 | 3-POINT HITCH | |
| 6 | 56074233 | 1 | SUPPORT | |
| 7 | 56074234 | 1 | SUPPORT | |
| 8 | 31112211 | 4 | SCREW TE M10X30 UNI 5739 | |
| 9 | F0843755000 | 4 | WASHER 10 | |
| 10 | 58079790 | 2 | ROD | |
| 11 | 58071755 | 2 | PIN | |
| 12 | 58072642 | 2 | PIN | |
| 13 | 56179791 | 2 | BRACKET | |
| 14 | 56372086 | 2 | PIN | |
| 15 | F0851486000 | 4 | SPLIT PIN | |
| 16 | 58071998 | 2 | ROD | |
| 17 | 59078588 | 1 | CONNECTING BOLT | |
| 18 | 31112093 | 1 | SCREW TE M6X20 UNI 5739 8G | |
| 19 | 31411066 | 1 | WASHER 6,6x18 | |
| 20 | 31211060 | 1 | NUT M6 | |
| 21 | 58076369 | 1 | CHAIN | |



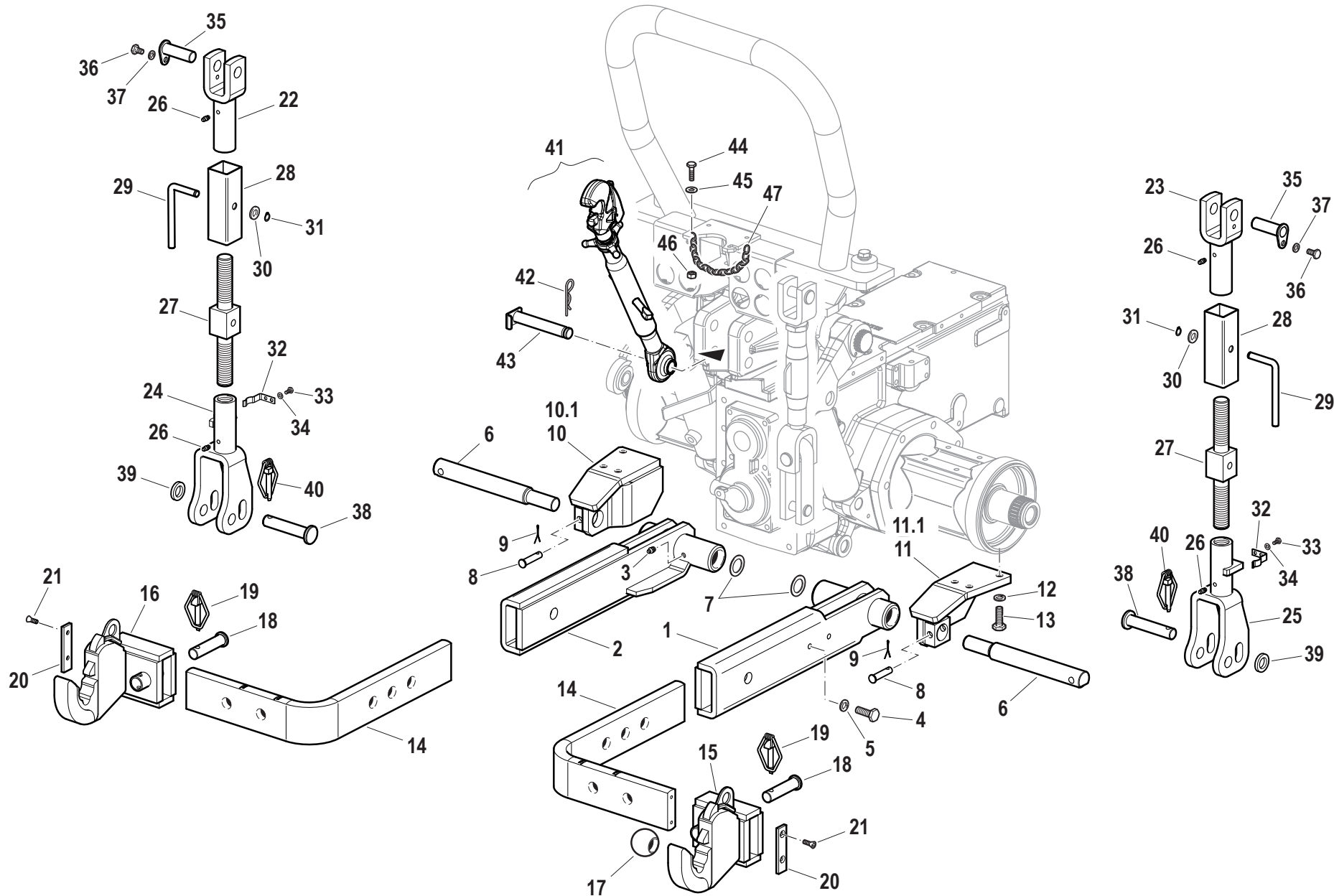
| Pos. | Code | Q.ty | Description | Notes |
|------|-------------|------|----------------------------|-------|
| 1 | 58079786 | 1 | LIFTING ARM | |
| 2 | 58079787 | 1 | LIFTING ARM | |
| 3 | 56579895 | 1 | CONNECTING BAR | |
| 4 | 58175783 | 2 | JOINT | |
| 5 | 58079818 | 1 | 3-POINT HITCH | |
| 6 | 56074233 | 1 | SUPPORT | |
| 7 | 56074234 | 1 | SUPPORT | |
| 8 | 31112211 | 6 | SCREW TE M10X30 UNI 5739 | |
| 9 | F0843755000 | 6 | WASHER 10 | |
| 10 | 58079790 | 2 | ROD | |
| 11 | 58071755 | 2 | PIN | |
| 12 | 58072642 | 2 | PIN | |
| 13 | 56179791 | 2 | BRACKET | |
| 14 | 56372086 | 2 | PIN | |
| 15 | F0851486000 | 6 | SPLIT PIN | |
| 16 | 58071998 | 2 | ROD | |
| 17 | 59078588 | 1 | CONNECTING BOLT | |
| 18 | 31112093 | 2 | SCREW TE M6X20 UNI 5739 8G | |
| 19 | 31411066 | 1 | WASHER 6,6x18 | |
| 20 | 31211060 | 1 | NUT M6 | |
| 21 | 58076369 | 1 | CHAIN | |
| 22 | F0826016000 | 2 | LUBRICATOR M6 UNI 7663A | |
| 23 | 58179399 | 2 | PLUG | |
| 24 | 59079792 | 2 | FORK | |
| 25 | 56379808 | 2 | HINGE PIN | |
| 26 | 34110051 | 2 | SPLIT PIN | |
| 27 | 56349629 | 4 | RING | |
| 28 | 56179896 | 2 | CLAMPING PLATE | |
| 29 | F0843570000 | 2 | WASHER 6 | |
| 30 | F0844283050 | 4 | SPACER D.32x22,5/3 | |
| 31 | 58072465 | 1 | RETAINING SPRING | |
| 32 | 56179825 | 2 | CONNECTING PLATE | |

SERIAL

IMPLEMENTS ATTACHMENT WITH QUICK COUPLINGS

CODE REV

T.01.02.L20004_0



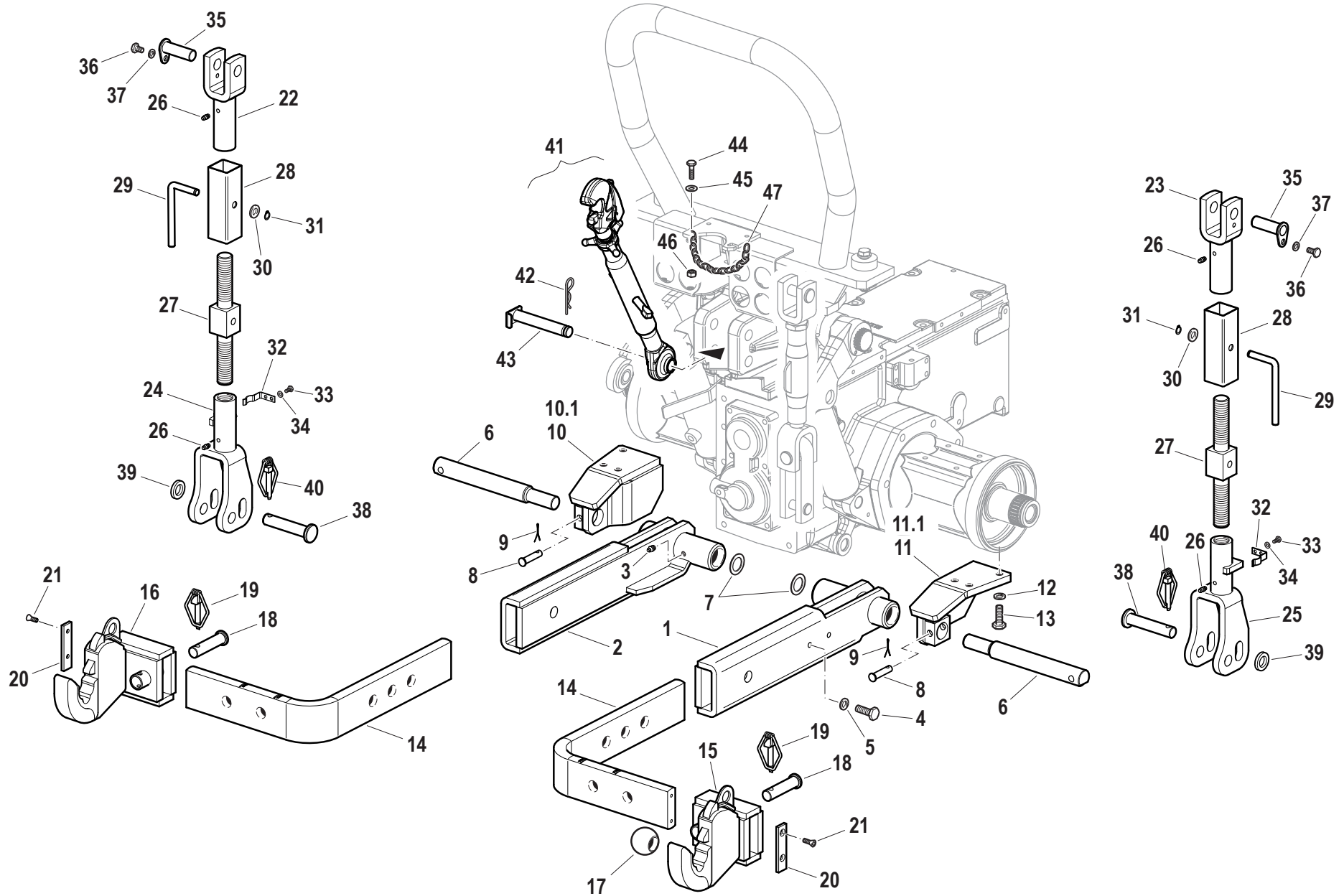
| Pos. | Code | Q.ty | Description | Notes |
|------|-------------|------|-----------------------------|-------|
| 1 | 590A0950 | 1 | HOLDER | |
| 2 | 590A0954 | 1 | HOLDER | |
| 3 | F0826056000 | 2 | LUBRICATOR M10 UNI 7663A | |
| 4 | 31112210 | 2 | SCREW TE M10X20 UNI 5739 | |
| 5 | F0843755000 | 2 | WASHER 10 | |
| 6 | 565A0971 | 2 | HINGE PIN | |
| 7 | 31411212 | 2 | WASHER 23x39/3 | |
| 8 | 580A0972 | 2 | PIN | |
| 9 | 34110030 | 2 | SPLIT PIN | |
| 10 | 590A0980 | 1 | SUPPORT | |
| 11 | 590A0982 | 1 | SUPPORT | |
| 12 | 31112211 | 6 | SCREW TE M10X30 UNI 5739 | |
| 13 | F0843755000 | 6 | WASHER 10 | |
| 14 | 563A0956 | 2 | ARM | |
| 15 | 590A0957 | 1 | DEVICE COUPLING | |
| 16 | 590A0960 | 1 | DEVICE COUPLING | |
| 17 | 58175783 | 2 | JOINT | |
| 18 | 56179473 | 2 | LOCKING BOLT | |
| 19 | 34240085 | 2 | PIN | |
| 20 | 560A1025 | 2 | SMALL PLATE | |
| 21 | 31132562 | 4 | SCREW TSVEI M6X16 UNI 5933 | |
| 22 | 590A0964 | 1 | FORK | |
| 23 | 590A0963 | 1 | FORK | |
| 24 | 590A0968 | 1 | FORK | |
| 25 | 590A0969 | 1 | FORK | |
| 26 | F0826016000 | 4 | LUBRICATOR M6 UNI 7663A | |
| 27 | 560A1027 | 2 | ROD | |
| 28 | 560A1028 | 2 | TUBO QUADRO 40x40/2 55-65 | |
| 29 | 560A1029 | 2 | LEVA REGISTRO TIRANTE 55-65 | |
| 30 | 31411105 | 2 | WASHER 10,5x21 | |
| 31 | F0801050000 | 2 | SEEGER RING E 10 UNI 7435 | |
| 32 | 580A1026 | 2 | SPRING | |
| 33 | 31111089 | 4 | SCREW TE M5X10 UNI 5739 8G | |
| 34 | F0843561000 | 4 | WASHER 5 | |

SERIAL

IMPLEMENTS ATTACHMENT - ADJUSTABLE ARMS WITH QUICK HITCHES

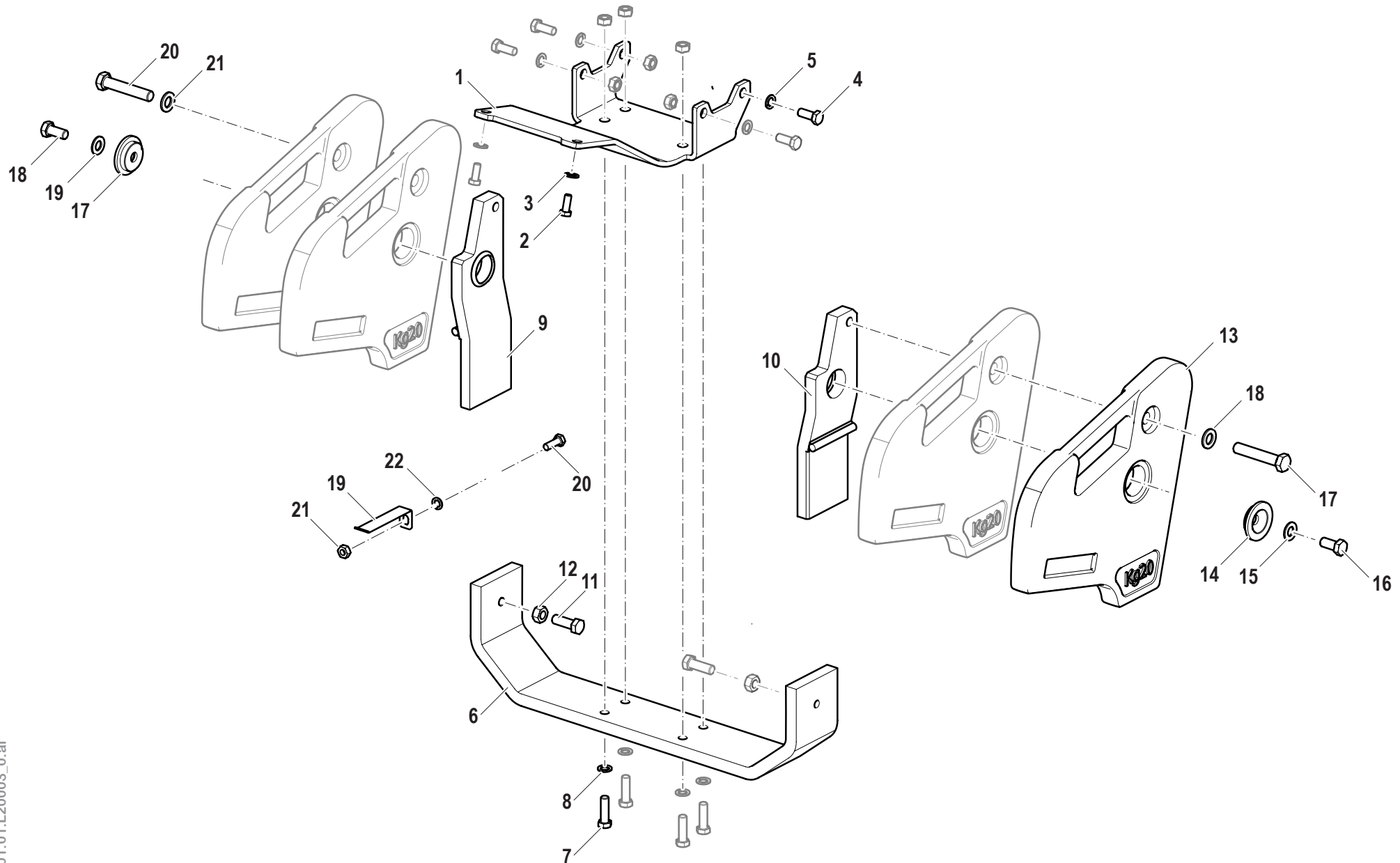
CODE REV

T.01.03.L20003_0



| Pos. | Code | Q.ty | Description | Notes |
|------|-------------|------|----------------------------|-------|
| 35 | 590A1030 | 2 | PIN | |
| 36 | 31112149 | 2 | SCREW TE M8X12 UNI 5739 8G | |
| 37 | F0843643060 | 2 | WASHER 8 | |
| 38 | 563A0970 | 2 | PIN | |
| 39 | F0844150000 | 2 | WASHER D.30x18,5/5 | |
| 40 | 34240085 | 2 | PIN | |
| 41 | 58079818 | 1 | 3-POINT HITCH | |
| 42 | F0851486000 | 4 | SPLIT PIN | |
| 43 | 59078588 | 1 | CONNECTING BOLT | |
| 44 | 31112093 | 1 | SCREW TE M6X20 UNI 5739 8G | |
| 45 | 31411066 | 1 | WASHER 6,6x18 | |
| 46 | 31211060 | 1 | NUT M6 | |
| 47 | 58076369 | 1 | CHAIN | |
| 10.1 | 590A0973 | 1 | SUPPORT | |
| 11.1 | 590A0977 | 1 | SUPPORT | |

FRONT BALLASTS



| Pos. | Code | Q.ty | Description | Notes |
|------|-------------|------|------------------------------|-------|
| 1 | 590A2830 | 1 | SLITTA FISS.SUPP.ZAVORRE K60 | |
| 2 | 31112219 | 2 | SCREW TE M10X25 UNI 5739 | |
| 3 | F0843755000 | 2 | WASHER 10 | |
| 4 | 31112272 | 4 | SCREW TE M12X30 UNI 5739 | |
| 5 | F0843843060 | 4 | WASHER 12 | |
| 6 | 590A2832 | 1 | SUPP.ZAVORRE ANT.K60 | |
| 7 | F0863925000 | 4 | SCREW M12X40 UNI 5737 | |
| 8 | F0843843060 | 4 | WASHER 12 | |
| 9 | 590A0795 | 1 | BRACKET | |
| 10 | 590A0796 | 1 | BRACKET | |
| 11 | 31112328 | 2 | SCREW TE M14X35 UNI 5739 | |
| 12 | 31211140 | 2 | NUT M14 | |
| 13 | 51179309 | 4 | FRONT BALLAST | |
| 14 | 56179308 | 2 | WASHER | |
| 15 | 31111330 | 2 | SCREW TE M14X30 UNI 5739 8G | |
| 16 | F0843921030 | 2 | WASHER 14 | |
| 17 | 31112445 | 2 | SCREW TE M16X85 UNI 5737 | |
| 18 | 31411170 | 2 | WASHER 17x30 | |
| 19 | 590A3120 | 1 | PROL.SILENZ.SCAR.GREZZO K60 | |
| 20 | 31112211 | 1 | SCREW TE M10X30 UNI 5739 | |
| 21 | 31211100 | 1 | NUT M10 | |
| 22 | F0843755000 | 1 | WASHER 10 | |

SPARE PARTS INSTANCE INDEX





SPARE PARTS INSTANCE INDEX

| Code | Parts Table | Pos. | Q.ty | Code | Parts Table | Pos. | Q.ty | Code | Parts Table | Pos. | Q.ty |
|----------|------------------|------|------|----------|------------------|------|------|----------|------------------|------|------|
| 28177274 | B.01.01.L20003_0 | 8 | 1 | 31112089 | A.03.01.L20003_0 | 6 | 6 | 31112210 | L.02.01.L20006_0 | 21 | 2 |
| 30000007 | C.02.01.L20004_0 | 10 | 2 | 31112093 | B.01.01.L20003_0 | 25 | 2 | | T.01.03.L20003_0 | 4 | 2 |
| 30000197 | F.02.01.L20005_0 | 17 | 1 | | C.02.01.L20004_0 | 3 | 4 | 31112211 | L.01.01.L20003_0 | 5 | 4 |
| 30000200 | L.02.01.L20006_0 | 29 | 2 | | D.03.01.L20004_0 | 12 | 2 | | M.01.01.L20003_0 | 5 | 4 |
| 30000797 | B.08.01.L20003_0 | 19 | 1 | | M.02.01.L20006_0 | 21 | 2 | | T.01.01.L20004_0 | 8 | 4 |
| 30010250 | A.03.01.L20003_0 | 19 | 1 | | T.01.01.L20004_0 | 18 | 1 | | T.01.02.L20004_0 | 8 | 6 |
| 30021170 | A.04.01.L20003_0 | 10 | 2 | | T.01.02.L20004_0 | 18 | 2 | | T.01.03.L20003_0 | 12 | 6 |
| 30021180 | A.04.01.L20003_0 | 8 | 1 | | T.01.03.L20003_0 | 44 | 1 | | U.01.01.L20003_0 | 20 | 1 |
| 30030016 | A.02.01.L20004_0 | 4 | 1 | 31112146 | D.02.01.L20004_0 | 20 | 2 | 31112212 | L.01.01.L20003_0 | 6 | 4 |
| 31111084 | B.08.01.L20003_0 | 15 | 4 | | D.03.01.L20004_0 | 15 | 2 | | M.01.01.L20003_0 | 6 | 4 |
| 31111089 | A.02.01.L20004_0 | 26 | 1 | | D.05.01.L20006_0 | 8 | 2 | | M.01.01.L20003_0 | 35 | 4 |
| | T.01.03.L20003_0 | 33 | 4 | 31112147 | D.06.01.L20003_0 | 27 | 1 | 31112215 | D.05.01.L20006_0 | 6 | 2 |
| 31111090 | M.02.01.L20006_0 | 11 | 4 | 31112149 | T.01.03.L20003_0 | 36 | 2 | 31112219 | A.01.02.L20003_0 | 16 | 4 |
| 31111091 | A.02.01.L20004_0 | 22 | 1 | 31112150 | B.01.01.L20003_0 | 11 | 2 | | B.08.01.L20003_0 | 6 | 4 |
| | B.02.01.L20003_0 | 13 | 4 | | B.02.01.L20003_0 | 25 | 2 | | B.09.02.L20005_0 | 38 | 4 |
| | D.02.01.L20004_0 | 18 | 8 | | B.03.02.L20005_0 | 6 | 4 | | C.03.01.L20005_0 | 10 | 4 |
| 31111102 | L.02.01.L20006_0 | 2 | 2 | | C.02.01.L20004_0 | 25 | 6 | | U.01.01.L20003_0 | 2 | 2 |
| 31111151 | A.05.01.L20003_0 | 10 | 1 | | D.02.01.L20004_0 | 32 | 2 | 31112264 | C.01.01.L20004_0 | 6 | 14 |
| | B.03.01.L20005_0 | 28 | 6 | | D.06.01.L20003_0 | 13 | 2 | 31112272 | B.01.01.L20003_0 | 24 | 6 |
| | B.03.02.L20005_0 | 0 | 6 | | L.02.01.L20006_0 | 4 | 2 | | B.03.01.L20005_0 | 3 | 8 |
| | F.02.01.L20005_0 | 4 | 4 | 31112151 | A.01.01.L20003_0 | 4 | 2 | | B.03.02.L20005_0 | 3 | 8 |
| | L.01.01.L20003_0 | 18 | 2 | | A.01.02.L20003_0 | 15 | 4 | | U.01.01.L20003_0 | 4 | 4 |
| | L.02.01.L20006_0 | 17 | 1 | | A.06.01.L20003_0 | 3 | 1 | 31112328 | U.01.01.L20003_0 | 11 | 2 |
| | M.01.01.L20003_0 | 18 | 2 | | B.01.01.L20003_0 | 14 | 1 | 31112445 | U.01.01.L20003_0 | 17 | 2 |
| | M.02.01.L20006_0 | 2 | 4 | | M.02.01.L20006_0 | 5 | 2 | 31112700 | B.09.02.L20005_0 | 35 | 2 |
| 31111330 | U.01.01.L20003_0 | 15 | 2 | 31112153 | A.01.02.L20003_0 | 4 | 3 | 31112880 | E.02.01.L20003_0 | 4 | 1 |
| 31111700 | A.05.01.L20003_0 | 11 | 2 | 31112154 | L.01.01.L20003_0 | 8 | 1 | 31112902 | A.01.01.L20003_0 | 8 | 2 |
| 31112047 | B.09.01.L20006_0 | 36 | 1 | | M.01.01.L20003_0 | 8 | 1 | 31112904 | A.01.02.L20003_0 | 17 | 5 |
| | B.09.02.L20005_0 | 55 | 1 | 31112208 | D.06.01.L20003_0 | 35 | 1 | | B.01.01.L20003_0 | 22 | 10 |
| 31112082 | B.01.01.L20003_0 | 18 | 2 | | E.02.01.L20003_0 | 10 | 1 | 31112910 | A.01.02.L20003_0 | 20 | 1 |
| | D.07.01.L20003_0 | 21 | 3 | | L.02.01.L20006_0 | 11 | 2 | 31121006 | B.03.01.L20005_0 | 19 | 6 |
| | L.01.01.L20003_0 | 25 | 3 | 31112210 | A.03.01.L20003_0 | 17 | 4 | 31121007 | B.09.02.L20005_0 | 43 | 2 |
| | M.01.01.L20003_0 | 25 | 3 | | A.05.01.L20003_0 | 14 | 2 | 31132440 | D.06.01.L20003_0 | 15 | 2 |
| 31112087 | A.02.01.L20004_0 | 19 | 2 | | B.01.01.L20003_0 | 28 | 2 | | D.06.01.L20003_0 | 31 | 1 |

SPARE PARTS INSTANCE INDEX

| Code | Parts Table | Pos. | Q.ty | Code | Parts Table | Pos. | Q.ty | Code | Parts Table | Pos. | Q.ty |
|----------|------------------|------|------|----------|------------------|------|------|----------|------------------|------|------|
| 31132562 | A.02.01.L20004_0 | 17 | 2 | 31221120 | B.09.02.L20005_0 | 36 | 2 | 31411084 | B.02.01.L20003_0 | 10 | 2 |
| | C.02.01.L20004_0 | 4 | 4 | 31231080 | A.02.01.L20004_0 | 11 | 2 | | B.03.01.L20005_0 | 29 | 6 |
| | T.01.03.L20003_0 | 21 | 4 | | B.01.01.L20003_0 | 20 | 1 | | B.03.02.L20005_0 | 0 | 6 |
| 31132566 | B.09.01.L20006_0 | 28 | 4 | | M.02.01.L20006_0 | 28 | 4 | | B.09.01.L20006_0 | 4 | 4 |
| | B.09.02.L20005_0 | 28 | 4 | 31231090 | D.06.01.L20003_0 | 9 | 1 | | B.09.01.L20006_0 | 32 | 2 |
| 31133590 | D.06.01.L20003_0 | 16 | 1 | 31231120 | D.04.01.L20003_0 | 13 | 4 | | B.09.02.L20005_0 | 4 | 4 |
| 31152040 | A.02.01.L20004_0 | 32 | 3 | | D.05.01.L20006_0 | 17 | 2 | | B.09.02.L20005_0 | 32 | 2 |
| 31152066 | B.09.02.L20005_0 | 49 | 4 | 31231141 | D.06.01.L20003_0 | 33 | 2 | | B.09.02.L20005_0 | 46 | 4 |
| 31152083 | D.02.01.L20004_0 | 23 | 1 | 31241080 | B.01.01.L20003_0 | 17 | 1 | | D.14.01.L20003_0 | 23 | 2 |
| 31152088 | B.02.01.L20003_0 | 21 | 2 | 31241081 | B.02.01.L20003_0 | 20 | 2 | 31411090 | B.01.01.L20003_0 | 16 | 1 |
| 31200501 | A.04.01.L20003_0 | 5 | 1 | | B.09.01.L20006_0 | 24 | 1 | 31411104 | M.02.01.L20006_0 | 23 | 4 |
| 31211040 | B.08.01.L20003_0 | 17 | 4 | | B.09.01.L20006_0 | 33 | 1 | 31411105 | D.03.01.L20004_0 | 18 | 1 |
| 31211060 | A.02.01.L20004_0 | 23 | 1 | | B.09.02.L20005_0 | 24 | 1 | | D.05.01.L20006_0 | 29 | 4 |
| | B.01.01.L20003_0 | 26 | 2 | | B.09.02.L20005_0 | 33 | 1 | | D.06.01.L20003_0 | 11 | 1 |
| | T.01.01.L20004_0 | 20 | 1 | 31241101 | A.02.01.L20004_0 | 6 | 1 | | T.01.03.L20003_0 | 30 | 2 |
| | T.01.02.L20004_0 | 20 | 1 | 31241142 | M.01.01.L20003_0 | 41 | 1 | 31411130 | D.04.01.L20003_0 | 11 | 2 |
| | T.01.03.L20003_0 | 46 | 1 | 31241181 | D.03.01.L20004_0 | 23 | 1 | | D.05.01.L20006_0 | 20 | 2 |
| 31211080 | A.01.01.L20003_0 | 5 | 2 | 31312087 | B.09.01.L20006_0 | 23 | 1 | 31411170 | U.01.01.L20003_0 | 18 | 2 |
| | A.01.01.L20003_0 | 14 | 2 | | B.09.02.L20005_0 | 23 | 1 | 31411212 | T.01.03.L20003_0 | 7 | 2 |
| | A.01.02.L20003_0 | 19 | 2 | | D.14.01.L20003_0 | 33 | 6 | 31414400 | L.01.01.L20003_0 | 12 | 2 |
| | A.04.01.L20003_0 | 4 | 1 | 31400300 | D.06.01.L20003_0 | 24 | 1 | | M.01.01.L20003_0 | 12 | 2 |
| | A.05.01.L20003_0 | 24 | 3 | 31400302 | D.06.01.L20003_0 | 26 | 1 | 31421083 | C.02.01.L20004_0 | 26 | 6 |
| | B.02.01.L20003_0 | 12 | 2 | 31411064 | B.02.01.L20003_0 | 16 | 6 | 31450060 | D.07.01.L20003_0 | 22 | 3 |
| | B.02.01.L20003_0 | 23 | 2 | | B.03.01.L20005_0 | 16 | 8 | | L.01.01.L20003_0 | 26 | 3 |
| | B.03.01.L20005_0 | 31 | 6 | | B.03.02.L20005_0 | 15 | 8 | | M.01.01.L20003_0 | 26 | 3 |
| | B.03.02.L20005_0 | 0 | 6 | | D.06.01.L20003_0 | 22 | 1 | 31480191 | C.03.01.L20005_0 | 2 | 1 |
| | C.02.01.L20004_0 | 32 | 1 | | F.02.01.L20005_0 | 7 | 2 | 31510096 | B.08.01.L20003_0 | 10 | 8 |
| | D.01.01.L20005_0 | 2 | 1 | 31411066 | B.03.01.L20005_0 | 21 | 12 | 34110021 | D.06.01.L20003_0 | 23 | 1 |
| | D.14.01.L20003_0 | 34 | 6 | | T.01.01.L20004_0 | 19 | 1 | 34110030 | M.02.01.L20006_0 | 24 | 1 |
| 31211100 | B.09.02.L20005_0 | 39 | 4 | | T.01.02.L20004_0 | 19 | 1 | | T.01.03.L20003_0 | 9 | 2 |
| | D.02.01.L20004_0 | 29 | 1 | | T.01.03.L20003_0 | 45 | 1 | 34110051 | T.01.02.L20004_0 | 26 | 2 |
| | D.05.01.L20006_0 | 30 | 2 | 31411084 | A.05.01.L20003_0 | 9 | 4 | 34211028 | B.09.01.L20006_0 | 19 | 1 |
| | U.01.01.L20003_0 | 21 | 1 | | B.01.01.L20003_0 | 12 | 2 | | B.09.01.L20006_0 | 38 | 1 |
| 31211140 | U.01.01.L20003_0 | 12 | 2 | | B.01.01.L20003_0 | 15 | 1 | | B.09.02.L20005_0 | 19 | 1 |

SPARE PARTS INSTANCE INDEX

| Code | Parts Table | Pos. | Q.ty | Code | Parts Table | Pos. | Q.ty | Code | Parts Table | Pos. | Q.ty |
|----------|------------------|------|------|-----------|------------------|------|------|----------|------------------|------|------|
| 34211028 | B.09.02.L20005_0 | 51 | 1 | 38118720 | D.15.01.L20003_0 | 29 | 1 | 52172162 | C.02.01.L20004_0 | 23 | 0.3 |
| 34213020 | M.02.01.L20006_0 | 33 | 1 | 38212006 | D.11.01.L20005_0 | 1 | 1 | 52275923 | D.10.01.L20004_0 | 12 | 1 |
| 34221005 | B.09.01.L20006_0 | 10 | 1 | 38212503 | D.02.01.L20004_0 | 22 | 1 | 52275924 | D.10.01.L20004_0 | 14 | 1 |
| | B.09.02.L20005_0 | 10 | 1 | 41AH0000 | A.01.01.L20003_0 | 1 | 1 | 522A1185 | D.02.01.L20004_0 | 24 | 1 |
| 34240085 | T.01.03.L20003_0 | 19 | 2 | 50974166 | D.07.01.L20003_0 | 17 | 1 | 52371733 | D.02.01.L20004_0 | 26 | 1 |
| | T.01.03.L20003_0 | 40 | 2 | 51171603 | C.03.01.L20005_0 | 5 | 1 | 52372292 | D.15.01.L20003_0 | 16 | 1 |
| 35111027 | D.02.02.L20003_0 | 8 | 1 | 51171604 | C.03.01.L20005_0 | 6 | 1 | 52373177 | D.05.01.L20006_0 | 16 | 2 |
| 35111042 | D.11.01.L20005_0 | 2 | 2 | 51172508 | D.12.01.L20003_0 | 3 | 2 | 52373240 | D.10.01.L20004_0 | 13 | 1 |
| 35111052 | C.02.01.L20004_0 | 34 | 2 | 51172962 | M.01.01.L20003_0 | 40 | 1 | 523A0166 | C.02.01.L20004_0 | 21 | 2 |
| 35111063 | D.01.01.L20005_0 | 11 | 2 | 51173115 | M.01.01.L20003_0 | 38 | 1 | 523A2300 | D.10.01.L20004_0 | 19 | 1 |
| 35121018 | D.06.01.L20003_0 | 25 | 1 | 51179309 | U.01.01.L20003_0 | 13 | 4 | 523A2301 | D.10.01.L20004_0 | 18 | 2 |
| 35121025 | C.02.01.L20004_0 | 29 | 2 | 51179547 | L.01.01.L20003_0 | 1 | 1 | 52471459 | D.08.01.L20003_0 | 20 | 1 |
| 35121030 | D.07.01.L20003_0 | 11 | 1 | 51179555 | M.01.01.L20003_0 | 1 | 1 | 52471509 | D.01.01.L20005_0 | 19 | 2 |
| | D.14.01.L20003_0 | 2 | 1 | 51179812 | C.02.01.L20004_0 | 9 | 1 | | D.11.01.L20005_0 | 8 | 2 |
| 35121040 | D.02.01.L20004_0 | 3 | 1 | 511A0116 | D.05.01.L20006_0 | 1 | 1 | 52471513 | D.01.01.L20005_0 | 15 | 1 |
| | D.14.01.L20003_0 | 3 | 1 | 511A0935 | C.03.01.L20005_0 | 1 | 1 | | D.11.01.L20005_0 | 6 | 1 |
| 35131026 | D.03.01.L20004_0 | 19 | 1 | 511A2198N | B.01.01.L20003_0 | 1 | 1 | 52471516 | D.01.01.L20005_0 | 16 | 1 |
| | D.05.01.L20006_0 | 14 | 1 | 511A2265 | C.01.01.L20004_0 | 1 | 1 | | D.11.01.L20005_0 | 7 | 1 |
| | L.01.01.L20003_0 | 20 | 2 | 511A2298 | D.10.01.L20004_0 | 25 | 1 | 52472344 | D.02.02.L20003_0 | 7 | 1 |
| | M.01.01.L20003_0 | 20 | 2 | 511A2955 | C.02.01.L20004_0 | 1 | 1 | 52473721 | D.08.01.L20003_0 | 19 | 1 |
| 35211060 | B.02.01.L20003_0 | 8 | 1 | 51272405 | D.10.01.L20004_0 | 15 | 1 | 52473789 | D.08.01.L20003_0 | 6 | 0.33 |
| 37111400 | D.02.01.L20004_0 | 5 | 2 | 51279318 | D.10.01.L20004_0 | 16 | 1 | 52473796 | D.08.01.L20003_0 | 17 | 1 |
| 37111460 | D.02.01.L20004_0 | 19 | 1 | 512A0109 | C.03.01.L20005_0 | 7 | 1 | 52473812 | D.08.01.L20003_0 | 6 | 0.34 |
| 37111461 | D.15.01.L20003_0 | 22 | 1 | 512A0110 | C.03.01.L20005_0 | 8 | 1 | 52473813 | D.08.01.L20003_0 | 6 | 0.33 |
| 37112249 | C.02.01.L20004_0 | 33 | 1 | 512A0909 | C.01.01.L20004_0 | 2 | 1 | 52473920 | D.12.01.L20003_0 | 4 | 2 |
| 37112503 | D.15.01.L20003_0 | 4 | 1 | 512A0910 | C.01.01.L20004_0 | 3 | 1 | 52473921 | D.12.01.L20003_0 | 12 | 6 |
| 37120000 | D.08.01.L20003_0 | 2 | 1 | 51374866 | D.01.01.L20005_0 | 20 | 1 | 52473922 | D.01.01.L20005_0 | 24 | 2 |
| 37221300 | D.01.01.L20005_0 | 10 | 2 | | D.11.01.L20005_0 | 11 | 1 | 52474190 | D.14.01.L20003_0 | 1 | 1 |
| 37321317 | D.14.01.L20003_0 | 14 | 2 | 51379585 | M.01.01.L20003_0 | 34 | 1 | 52479154 | D.07.01.L20003_0 | 6 | 1 |
| 37931413 | D.14.01.L20003_0 | 16 | 1 | 52071702 | D.02.01.L20004_0 | 17 | 4 | 52479155 | D.07.01.L20003_0 | 9 | 1 |
| 38110992 | F.04.01.L20003_0 | 10 | 2 | 52172158 | C.02.01.L20004_0 | 23 | 0.3 | 52479156 | D.07.01.L20003_0 | 13 | 1 |
| 38112670 | D.01.01.L20005_0 | 6 | 1 | 52172159 | C.02.01.L20004_0 | 23 | 0.3 | 52479157 | D.08.01.L20003_0 | 25 | 1 |
| 38112982 | F.04.01.L20003_0 | 2 | 1 | 52172160 | C.02.01.L20004_0 | 23 | 0.3 | 52479158 | D.07.01.L20003_0 | 16 | 1 |
| 38116317 | D.15.01.L20003_0 | 3 | 1 | 52172161 | C.02.01.L20004_0 | 23 | 0.3 | 52479160 | D.08.01.L20003_0 | 23 | 1 |



SPARE PARTS INSTANCE INDEX

| Code | Parts Table | Pos. | Q.ty | Code | Parts Table | Pos. | Q.ty | Code | Parts Table | Pos. | Q.ty |
|----------|------------------|------|------|-----------|------------------|--------|------|----------|------------------|------|------|
| 52479164 | D.08.01.L20003_0 | 12 | 1 | 551A2797 | A.03.01.L20003_0 | 12 | 1 | 560A1029 | T.01.03.L20003_0 | 29 | 2 |
| 52479220 | D.14.01.L20003_0 | 6 | 1 | 55277307 | A.02.01.L20004_0 | 15 | 1 | 560A1035 | D.14.01.L20003_0 | 35 | 1 |
| 52479222 | D.14.01.L20003_0 | 13 | 1 | 55279804 | B.03.01.L20005_0 | 22 | 1 | 560A2995 | A.04.01.L20003_0 | 2 | 1 |
| 52479223 | D.14.01.L20003_0 | 11 | 1 | | B.03.02.L20005_0 | 10 | 1 | 56170017 | L.01.01.L20003_0 | 3 | 1 |
| 52479225 | D.14.01.L20003_0 | 10 | 1 | 55279805 | B.03.01.L20005_0 | 23 | 1 | | M.01.01.L20003_0 | 3 | 1 |
| 52479233 | D.14.01.L20003_0 | 17 | 1 | | B.03.02.L20005_0 | 11 | 1 | 56170043 | D.04.01.L20003_0 | 10 | 2 |
| 52479236 | D.15.01.L20003_0 | 24 | 1 | 55279820 | B.08.01.L20003_0 | 08-gen | 1 | 56170226 | C.02.01.L20004_0 | 19 | 1 |
| 52479238 | D.15.01.L20003_0 | 26 | 1 | 55279821V | B.08.01.L20003_0 | 12-mar | 1 | 56171671 | D.01.01.L20005_0 | 7 | 1 |
| 52479521 | D.02.02.L20003_0 | 1 | 1 | 55279823 | B.08.01.L20003_0 | 12-gen | 1 | 56171672 | D.01.01.L20005_0 | 9 | 1 |
| 524A1233 | D.02.01.L20004_0 | 13 | 1 | 55279866 | B.02.01.L20003_0 | 3 | 1 | 56171787 | D.05.01.L20006_0 | 15 | 2 |
| 524A2293 | D.15.01.L20003_0 | 19 | 1 | | B.02.01.L20003_0 | 18 | 1 | 56172163 | C.02.01.L20004_0 | 12 | 2 |
| 524A2294 | D.14.01.L20003_0 | 18 | 1 | 55279867 | B.02.01.L20003_0 | 2 | 1 | 56172547 | F.02.01.L20005_0 | 12 | 2 |
| 524A2295 | D.15.01.L20003_0 | 20 | 1 | | B.02.01.L20003_0 | 19 | 1 | | L.02.01.L20006_0 | 26 | 1 |
| 524A2296 | D.14.01.L20003_0 | 21 | 1 | 552A0542 | B.08.01.L20003_0 | 08-feb | 1 | 56172950 | A.05.01.L20003_0 | 22 | 1 |
| 524A2302 | D.08.01.L20003_0 | 15 | 1 | 552A2212 | A.05.01.L20003_0 | 1 | 1 | 56173919 | D.12.01.L20003_0 | 7 | 2 |
| 524A2303 | D.08.01.L20003_0 | 7 | 1 | 56072960 | M.01.01.L20003_0 | 30 | 1 | 56174658 | B.01.01.L20003_0 | 10 | 1 |
| 52572605 | D.11.01.L20005_0 | 16 | 1 | 56073148 | M.01.01.L20003_0 | 33 | 1 | 56174659 | B.01.01.L20003_0 | 13 | 1 |
| 52572606 | D.11.01.L20005_0 | 15 | 1 | 56074233 | T.01.01.L20004_0 | 6 | 1 | 56174773 | B.09.02.L20005_0 | 48 | 1 |
| 52579212 | D.02.02.L20003_0 | 5 | 1 | | T.01.02.L20004_0 | 6 | 1 | 56174835 | B.02.01.L20003_0 | 7 | 1 |
| 52579229 | D.15.01.L20003_0 | 18 | 1 | 56074234 | T.01.01.L20004_0 | 7 | 1 | 56177045 | B.03.01.L20005_0 | 26 | 8 |
| 530A2299 | B.09.02.L20005_0 | 47 | 1 | | T.01.02.L20004_0 | 7 | 1 | | B.03.02.L20005_0 | 8 | 8 |
| 530A3103 | A.02.01.L20004_0 | 25 | 1 | 56074313 | D.14.01.L20003_0 | 27 | 1 | 56177086 | B.08.01.L20003_0 | 4 | 1 |
| 53273891 | D.15.01.L20003_0 | 34 | 1 | 56075197 | M.02.01.L20006_0 | 18 | 1 | 56177648 | A.02.01.L20004_0 | 10 | 1 |
| 53279226 | D.15.01.L20003_0 | 8 | 1 | 56075265 | M.02.01.L20006_0 | 22 | 1 | 56178695 | F.04.01.L20003_0 | 21 | 3 |
| 55170047 | D.04.01.L20003_0 | 9 | 2 | 56075473 | M.02.01.L20006_0 | 20 | 1 | 56179308 | U.01.01.L20003_0 | 14 | 2 |
| 55172608 | C.02.01.L20004_0 | 28 | 2 | 56077608 | A.05.01.L20003_0 | 15 | 2 | 56179473 | T.01.03.L20003_0 | 18 | 2 |
| 55178581 | L.02.01.L20006_0 | 20 | 3 | 56077760 | M.02.01.L20006_0 | 19 | 1 | 56179531 | F.04.01.L20003_0 | 9 | 1 |
| 551A1601 | B.09.01.L20006_0 | 26 | 1 | 56079676 | D.03.01.L20004_0 | 11 | 1 | 56179625 | B.01.01.L20003_0 | 9 | 1 |
| | B.09.02.L20005_0 | 26 | 1 | 560A0372 | D.06.01.L20003_0 | 30 | 1 | 56179763 | D.06.01.L20003_0 | 19 | 1 |
| 551A1602 | B.09.01.L20006_0 | 25 | 2 | 560A0440 | B.09.01.L20006_0 | 27 | 1 | 56179766 | D.06.01.L20003_0 | 6 | 1 |
| | B.09.02.L20005_0 | 25 | 2 | | B.09.02.L20005_0 | 27 | 1 | 56179767 | D.06.01.L20003_0 | 34 | 1 |
| 551A1603 | D.10.01.L20004_0 | 3 | 3 | 560A1025 | T.01.03.L20003_0 | 20 | 2 | 56179770 | D.06.01.L20003_0 | 4 | 1 |
| 551A2222 | A.03.01.L20003_0 | 11 | 1 | 560A1027 | T.01.03.L20003_0 | 27 | 2 | 56179791 | T.01.01.L20004_0 | 13 | 2 |
| 551A2224 | A.04.01.L20003_0 | 9 | 1 | 560A1028 | T.01.03.L20003_0 | 28 | 2 | | T.01.02.L20004_0 | 13 | 2 |

SPARE PARTS INSTANCE INDEX

| Code | Parts Table | Pos. | Q.ty | Code | Parts Table | Pos. | Q.ty | Code | Parts Table | Pos. | Q.ty |
|-----------|------------------|------|------|----------|------------------|------|------|----------|------------------|------|------|
| 56179825 | T.01.02.L20004_0 | 32 | 2 | 561A2972 | A.03.01.L20003_0 | 5 | 6 | 56371578 | D.12.01.L20003_0 | 5 | 0.3 |
| 56179896 | T.01.02.L20004_0 | 28 | 2 | 561A2993 | A.05.01.L20003_0 | 6 | 2 | 56371579 | D.12.01.L20003_0 | 5 | 0.3 |
| 561A0002 | L.02.01.L20006_0 | 3 | 1 | 561A3068 | B.02.01.L20003_0 | 9 | 2 | 56371582 | C.01.01.L20004_0 | 7 | 0.8 |
| 561A0003 | L.02.01.L20006_0 | 6 | 1 | 561A3069 | B.01.01.L20003_0 | 5 | 1 | | D.11.01.L20005_0 | 14.1 | 0.8 |
| 561A0004 | L.02.01.L20006_0 | 8 | 1 | 561A3070 | B.01.01.L20003_0 | 6 | 1 | 56371583 | C.01.01.L20004_0 | 7 | 0.8 |
| 561A0081 | A.04.01.L20003_0 | 3 | 1 | 561A3085 | A.03.01.L20003_0 | 8 | 1 | | D.11.01.L20005_0 | 14.2 | 0.8 |
| 561A0084 | B.02.01.L20003_0 | 24 | 1 | 561A3086 | A.05.01.L20003_0 | 20 | 1 | 56371584 | C.01.01.L20004_0 | 7 | 0.8 |
| 561A0167 | C.02.01.L20004_0 | 20 | 2 | 561A3104 | A.02.01.L20004_0 | 21 | 1 | | D.11.01.L20005_0 | 14.3 | 0.8 |
| 561A0448 | M.02.01.L20006_0 | 4 | 1 | 561A3105 | A.02.01.L20004_0 | 18 | 1 | 56371585 | C.01.01.L20004_0 | 7 | 0.8 |
| 561A0546 | F.02.01.L20005_0 | 11 | 2 | 561A3106 | A.02.01.L20004_0 | 31 | 3 | | D.11.01.L20005_0 | 14.4 | 0.8 |
| | L.02.01.L20006_0 | 25 | 1 | 561A3118 | A.02.01.L20004_0 | 28 | 1 | 56371586 | C.01.01.L20004_0 | 7 | 0.8 |
| 561A0929 | E.02.01.L20003_0 | 9 | 1 | 561A3119 | A.01.01.L20003_0 | 13 | 1 | | D.11.01.L20005_0 | 14.5 | 0.8 |
| 561A0940 | A.01.02.L20003_0 | 13 | 1 | 561A3125 | A.01.01.L20003_0 | 3 | 1 | 56371605 | D.04.01.L20003_0 | 4 | 2 |
| 561A1007 | B.08.01.L20003_0 | 13 | 1 | 56271457 | D.08.01.L20003_0 | 22 | 1 | 56371606 | D.04.01.L20003_0 | 3 | 4 |
| 561A1188 | D.02.01.L20004_0 | 15 | 4 | 56276359 | C.02.01.L20004_0 | 9.2 | 1 | 56371652 | D.08.01.L20003_0 | 1 | 1 |
| 561A1469 | T.01.01.L20004_0 | 4 | 2 | 56276360 | C.02.01.L20004_0 | 9.1 | 1 | 56371661 | D.08.01.L20003_0 | 26 | 0.2 |
| 561A1576 | D.10.01.L20004_0 | 29 | 3 | 56349629 | D.03.01.L20004_0 | 24 | 1 | 56371662 | D.08.01.L20003_0 | 26 | 0.2 |
| 561A2205 | A.01.02.L20003_0 | 2 | 1 | | D.05.01.L20006_0 | 13 | 1 | 56371663 | D.08.01.L20003_0 | 26 | 0.2 |
| 561A2225 | A.01.02.L20003_0 | 10 | 1 | | L.01.01.L20003_0 | 19 | 2 | 56371664 | D.08.01.L20003_0 | 26 | 0.2 |
| 561A2236 | B.02.01.L20003_0 | 4 | 1 | | M.01.01.L20003_0 | 19 | 2 | 56371666 | D.01.01.L20005_0 | 4 | 1 |
| 561A2353 | B.09.01.L20006_0 | 14 | 2 | | T.01.02.L20004_0 | 27 | 4 | 56371667 | D.01.01.L20005_0 | 12.2 | 0.25 |
| | B.09.02.L20005_0 | 14 | 2 | 56370018 | D.10.01.L20004_0 | 26 | 6 | 56371668 | D.01.01.L20005_0 | 12.3 | 0.25 |
| 561A2357 | B.09.01.L20006_0 | 18 | 1 | 56370081 | C.01.01.L20004_0 | 5 | 1 | 56371669 | D.01.01.L20005_0 | 12.4 | 0.25 |
| | B.09.02.L20005_0 | 18 | 1 | | D.12.01.L20003_0 | 14 | 2 | 56371670 | D.01.01.L20005_0 | 12.1 | 0.25 |
| 561A2371 | B.03.01.L20005_0 | 10 | 1 | 56370172 | D.10.01.L20004_0 | 6 | 3 | 56371708 | D.04.01.L20003_0 | 6 | 2 |
| 561A2600 | B.09.02.L20005_0 | 34 | 2 | 56370178 | C.02.01.L20004_0 | 18 | 2 | 56371714 | D.03.01.L20004_0 | 8 | 2 |
| 561A2633 | M.02.01.L20006_0 | 6 | 1 | 56370228 | C.02.01.L20004_0 | 1.4 | 2 | 56371715 | D.03.01.L20004_0 | 9 | 2 |
| 561A2634 | M.02.01.L20006_0 | 8 | 1 | | L.01.01.L20003_0 | 4 | 1 | 56371994 | D.01.01.L20005_0 | 18 | 1 |
| 561A2740 | D.02.01.L20004_0 | 8 | 1 | | M.01.01.L20003_0 | 4 | 1 | | D.11.01.L20005_0 | 9 | 1 |
| 561A2808 | A.01.02.L20003_0 | 8 | 1 | 56371440 | D.07.01.L20003_0 | 3 | 2 | 56372086 | T.01.01.L20004_0 | 14 | 2 |
| 561A2814 | B.01.01.L20003_0 | 4 | 1 | 56371551 | D.02.01.L20004_0 | 14 | 1 | | T.01.02.L20004_0 | 14 | 2 |
| 561A2815 | A.01.02.L20003_0 | 6 | 1 | 56371575 | D.12.01.L20003_0 | 5 | 0.3 | 56372952 | M.01.01.L20003_0 | 31 | 0.25 |
| 561A2954Z | A.01.01.L20003_0 | 2 | 1 | 56371576 | D.12.01.L20003_0 | 5 | 0.3 | 56372953 | M.01.01.L20003_0 | 31 | 0.25 |
| 561A2970 | A.03.01.L20003_0 | 9 | 1 | 56371577 | D.12.01.L20003_0 | 5 | 0.3 | 56372954 | M.01.01.L20003_0 | 31 | 0.25 |



SPARE PARTS INSTANCE INDEX

| Code | Parts Table | Pos. | Q.ty | Code | Parts Table | Pos. | Q.ty | Code | Parts Table | Pos. | Q.ty |
|----------|------------------|------|------|----------|------------------|------|------|-----------|------------------|--------|------|
| 56372955 | M.01.01.L20003_0 | 31 | 0.25 | 56470797 | D.05.01.L20006_0 | 18 | 2 | 56579874 | M.01.01.L20003_0 | 11 | 1 |
| 56373349 | D.12.01.L20003_0 | 5 | 0.3 | 56471441 | D.07.01.L20003_0 | 4 | 1 | 56579895 | T.01.02.L20004_0 | 3 | 1 |
| 56373350 | D.12.01.L20003_0 | 5 | 0.3 | 56471461 | D.08.01.L20003_0 | 24 | 1 | 565A0971 | T.01.03.L20003_0 | 6 | 2 |
| 56373440 | D.08.01.L20003_0 | 26 | 0.2 | 56471508 | D.01.01.L20005_0 | 17 | 1 | 565A1468 | T.01.01.L20004_0 | 2 | 1 |
| 56373542 | C.02.01.L20004_0 | 16 | 1 | | D.11.01.L20005_0 | 10 | 1 | 565A2288 | C.02.01.L20004_0 | 27 | 1 |
| 56375407 | L.02.01.L20006_0 | 37 | 1 | 56471654 | D.07.01.L20003_0 | 10 | 1 | 571A2278 | A.05.01.L20003_0 | 12 | 2 |
| 56375436 | A.02.01.L20004_0 | 9 | 1 | 56471655 | D.08.01.L20003_0 | 4 | 1 | 57371900 | A.05.01.L20003_0 | 8 | 1 |
| 56377112 | A.02.01.L20004_0 | 5 | 1 | 56471665 | D.01.01.L20005_0 | 5 | 1 | 57374545 | B.09.01.L20006_0 | 9 | 1 |
| 56379267 | D.14.01.L20003_0 | 15 | 1 | 56471709 | D.04.01.L20003_0 | 7 | 2 | | B.09.02.L20005_0 | 9 | 1 |
| 56379286 | D.10.01.L20004_0 | 9 | 1 | 56471813 | D.03.01.L20004_0 | 5 | 1 | 57377106 | A.02.01.L20004_0 | 8 | 1 |
| 56379287 | D.10.01.L20004_0 | 7 | 1 | 56472318 | M.01.01.L20003_0 | 36 | 1 | 57377110 | A.02.01.L20004_0 | 7 | 1 |
| 56379288 | D.10.01.L20004_0 | 11 | 1 | 56473890 | D.15.01.L20003_0 | 2 | 0.3 | 57379771 | D.06.01.L20003_0 | 5 | 1 |
| 56379289 | D.10.01.L20004_0 | 10 | 1 | 56474713 | D.15.01.L20003_0 | 2 | 0.1 | 57379953 | B.03.01.L20005_0 | 17 | 1 |
| 56379290 | D.10.01.L20004_0 | 8 | 1 | 56474714 | D.15.01.L20003_0 | 2 | 0.1 | 57379954 | B.03.01.L20005_0 | 18 | 1 |
| 56379584 | C.02.01.L20004_0 | 17 | 1 | 56475517 | D.15.01.L20003_0 | 2 | 0.25 | 573A0291 | B.09.01.L20006_0 | 29 | 1 |
| 56379660 | D.03.01.L20004_0 | 22 | 1 | 56475518 | D.15.01.L20003_0 | 2 | 0.25 | | B.09.02.L20005_0 | 29 | 1 |
| 56379765 | D.06.01.L20003_0 | 8 | 1 | 56475568 | D.14.01.L20003_0 | 20 | 1 | 573A0356 | B.09.01.L20006_0 | 8 | 1 |
| 56379808 | T.01.02.L20004_0 | 25 | 2 | 56475844 | D.15.01.L20003_0 | 33 | 1 | | B.09.02.L20005_0 | 8 | 1 |
| 563A0449 | M.02.01.L20006_0 | 14 | 1 | 56479039 | D.15.01.L20003_0 | 30 | 1 | 573A0371 | D.06.01.L20003_0 | 29 | 1 |
| 563A0450 | M.02.01.L20006_0 | 15 | 1 | 56479221 | D.15.01.L20003_0 | 6 | 1 | 573A0622 | A.03.01.L20003_0 | 19 | 1 |
| 563A0956 | T.01.03.L20003_0 | 14 | 2 | 56479239 | D.15.01.L20003_0 | 5 | 1 | 573A0784 | B.08.01.L20003_0 | 12-feb | 1 |
| 563A0970 | T.01.03.L20003_0 | 38 | 2 | 56479240 | D.14.01.L20003_0 | 22 | 1 | 573A1949 | B.09.01.L20006_0 | 30 | 2 |
| 563A1689 | D.02.01.L20004_0 | 9 | 1 | 56479241 | D.15.01.L20003_0 | 27 | 1 | | B.09.02.L20005_0 | 30 | 2 |
| 563A2077 | D.06.01.L20003_0 | 18 | 1 | 56479242 | D.15.01.L20003_0 | 28 | 1 | 573A2200 | A.03.01.L20003_0 | 4 | 1 |
| 563A2120 | D.15.01.L20003_0 | 12 | 1 | 56479697 | D.02.02.L20003_0 | 4 | 1 | 573A2215V | B.02.01.L20003_0 | 6 | 1 |
| 563A2356 | B.09.01.L20006_0 | 35 | 1 | 56479768 | D.06.01.L20003_0 | 21 | 1 | 573A2267 | B.08.01.L20003_0 | 12-apr | 1 |
| | B.09.02.L20005_0 | 54 | 1 | 56479769 | D.06.01.L20003_0 | 10 | 1 | 573A2364 | B.09.01.L20006_0 | 21 | 1 |
| 563A2358 | B.09.01.L20006_0 | 17 | 1 | 564A2716 | C.02.01.L20004_0 | 11 | 1 | | B.09.02.L20005_0 | 21 | 1 |
| | B.09.02.L20005_0 | 17 | 1 | 56571697 | D.10.01.L20004_0 | 20 | 2 | 573A2622 | B.09.01.L20006_0 | 5 | 1 |
| 563A2631 | M.02.01.L20006_0 | 12 | 1 | 56572623 | D.01.01.L20005_0 | 22 | 1 | | B.09.02.L20005_0 | 5 | 1 |
| 563A2975 | A.01.02.L20003_0 | 5 | 1 | 56572624 | D.01.01.L20005_0 | 23 | 1 | 573A2658 | L.02.01.L20006_0 | 13 | 1 |
| 563A3038 | F.04.01.L20003_0 | 7 | 1 | 56572959 | M.01.01.L20003_0 | 39 | 2 | 573A2659 | L.02.01.L20006_0 | 14 | 1 |
| 56470365 | D.03.01.L20004_0 | 26 | 1 | 56579865 | D.02.01.L20004_0 | 28 | 1 | 58024193 | D.08.01.L20003_0 | 3 | 0.2 |
| | D.05.01.L20006_0 | 27 | 4 | 56579874 | L.01.01.L20003_0 | 11 | 1 | 58024194 | D.08.01.L20003_0 | 3 | 0.2 |

SPARE PARTS INSTANCE INDEX

| Code | Parts Table | Pos. | Q.ty | Code | Parts Table | Pos. | Q.ty | Code | Parts Table | Pos. | Q.ty |
|----------|------------------|------|------|----------|------------------|------|------|----------|------------------|------|------|
| 58024195 | D.08.01.L20003_0 | 3 | 0.2 | 58073788 | D.07.01.L20003_0 | 18 | 1 | 580A0479 | E.01.01.L20003_0 | 6 | 2 |
| 58024196 | D.08.01.L20003_0 | 3 | 0.2 | 58074092 | D.15.01.L20003_0 | 11 | 1 | 580A0528 | L.02.01.L20006_0 | 40 | 1 |
| 58048002 | B.01.01.L20003_0 | 21 | 1 | 58074109 | D.08.01.L20003_0 | 3 | 0.2 | 580A0529 | L.02.01.L20006_0 | 41 | 1 |
| 58070164 | D.10.01.L20004_0 | 5 | 3 | 58074488 | B.09.01.L20006_0 | 16 | 1 | 580A0533 | L.02.01.L20006_0 | 35 | 1 |
| 58070168 | D.10.01.L20004_0 | 24 | 3 | | B.09.02.L20005_0 | 16 | 1 | 580A0534 | L.02.01.L20006_0 | 36 | 1 |
| 58070169 | D.10.01.L20004_0 | 2 | 3 | 58074841 | B.07.01.L20005_0 | 24 | 1 | 580A0536 | F.04.01.L20003_0 | 20 | 1 |
| 58070366 | D.04.01.L20003_0 | 12 | 2 | 58074880 | B.07.01.L20005_0 | 15 | 1 | 580A0572 | B.07.01.L20005_0 | 25 | 1 |
| 58070373 | D.05.01.L20006_0 | 10 | 1 | 58075515 | D.15.01.L20003_0 | 32 | 6 | 580A0972 | T.01.03.L20003_0 | 8 | 2 |
| 58070390 | B.09.01.L20006_0 | 20 | 1 | 58075603 | L.01.01.L20003_0 | 10 | 1 | 580A1016 | B.07.01.L20005_0 | 13 | 1 |
| | B.09.01.L20006_0 | 39 | 1 | | M.01.01.L20003_0 | 10 | 1 | 580A1023 | B.07.01.L20005_0 | 10 | 1 |
| | B.09.02.L20005_0 | 20 | 1 | 58076077 | B.07.01.L20005_0 | 12 | 1 | 580A1026 | T.01.03.L20003_0 | 32 | 2 |
| | B.09.02.L20005_0 | 52 | 1 | 58076369 | T.01.01.L20004_0 | 21 | 1 | 580A1037 | B.07.01.L20005_0 | 31 | 1 |
| 58070741 | D.10.01.L20004_0 | 23 | 5 | | T.01.02.L20004_0 | 21 | 1 | 580A1038 | B.07.01.L20005_0 | 28 | 1 |
| 58071755 | T.01.01.L20004_0 | 11 | 2 | | T.01.03.L20003_0 | 47 | 1 | 580A1039 | B.07.01.L20005_0 | 14 | 1 |
| | T.01.02.L20004_0 | 11 | 2 | 58076753 | A.04.01.L20003_0 | 7 | 1 | 580A1040 | A.03.01.L20003_0 | 13 | 1 |
| 58071790 | C.01.01.L20004_0 | 8 | 1 | 58077047 | B.07.01.L20005_0 | 16 | 1 | 580A1121 | B.07.01.L20005_0 | 8 | 1 |
| 58071793 | C.02.01.L20004_0 | 1.1 | 1 | 58077942 | F.02.01.L20005_0 | 9 | 2 | 580A1189 | D.02.01.L20004_0 | 16 | 8 |
| 58071998 | T.01.01.L20004_0 | 16 | 2 | 58079786 | T.01.02.L20004_0 | 1 | 1 | 580A1227 | F.04.01.L20003_0 | 5 | 1 |
| | T.01.02.L20004_0 | 16 | 2 | 58079787 | T.01.02.L20004_0 | 2 | 1 | 580A1345 | L.01.01.L20003_0 | 16 | 2 |
| 58072389 | D.15.01.L20003_0 | 17 | 1 | 58079788 | T.01.01.L20004_0 | 1 | 2 | | M.01.01.L20003_0 | 16 | 2 |
| 58072398 | D.15.01.L20003_0 | 2 | 4 | 58079790 | T.01.01.L20004_0 | 10 | 2 | 580A1580 | B.07.01.L20005_0 | 19 | 1 |
| 58072399 | D.15.01.L20003_0 | 13 | 1 | | T.01.02.L20004_0 | 10 | 2 | 580A1581 | B.07.01.L20005_0 | 18 | 1 |
| 58072465 | T.01.01.L20004_0 | 3 | 1 | 58079817 | T.01.01.L20004_0 | 5 | 1 | 580A1583 | B.07.01.L20005_0 | 20 | 1 |
| | T.01.02.L20004_0 | 31 | 1 | 58079818 | T.01.02.L20004_0 | 5 | 1 | 580A1605 | B.07.01.L20005_0 | 30 | 1 |
| 58072505 | D.08.01.L20003_0 | 11 | 1 | | T.01.03.L20003_0 | 41 | 1 | 580A1606 | B.07.01.L20005_0 | 32 | 1 |
| 58072510 | B.07.01.L20005_0 | 23 | 1 | 58079929 | B.02.01.L20003_0 | 15 | 4 | 580A1607 | B.07.01.L20005_0 | 33 | 1 |
| 58072511 | B.07.01.L20005_0 | 17 | 1 | | B.03.01.L20005_0 | 15 | 8 | 580A1608 | B.07.01.L20005_0 | 35 | 2 |
| 58072573 | B.07.01.L20005_0 | 21 | 1 | | B.03.02.L20005_0 | 14 | 8 | 580A1609 | B.07.01.L20005_0 | 34 | 4 |
| 58072575 | B.07.01.L20005_0 | 22 | 1 | 58092972 | B.02.01.L20003_0 | 5 | 1 | 580A1908 | F.04.01.L20003_0 | 25 | 1 |
| 58072642 | T.01.01.L20004_0 | 12 | 2 | 58093053 | A.03.01.L20003_0 | 15 | 1 | 580A2134 | B.08.01.L20003_0 | 21 | 2 |
| | T.01.02.L20004_0 | 12 | 2 | 580A0285 | B.07.01.L20005_0 | 26 | 1 | 580A2171 | B.07.01.L20005_0 | 7 | 1 |
| 58073192 | M.01.01.L20003_0 | 32 | 1 | 580A0360 | D.03.01.L20004_0 | 4 | 2 | 580A2179 | B.07.01.L20005_0 | 9 | 1 |
| 58073227 | A.02.01.L20004_0 | 13 | 1 | | D.05.01.L20006_0 | 24 | 1 | 580A2216 | A.05.01.L20003_0 | 2 | 1 |
| | D.06.01.L20003_0 | 28 | 1 | 580A0478 | E.01.01.L20003_0 | 1 | 1 | 580A2234 | A.05.01.L20003_0 | 3 | 1 |



SPARE PARTS INSTANCE INDEX

| Code | Parts Table | Pos. | Q.ty | Code | Parts Table | Pos. | Q.ty | Code | Parts Table | Pos. | Q.ty |
|----------|------------------|------|------|----------|------------------|------|------|----------|------------------|--------|------|
| 580A2365 | B.03.01.L20005_0 | 12 | 1 | 58172043 | B.08.01.L20003_0 | 24 | 1 | 58175937 | D.08.01.L20003_0 | 10 | 1 |
| 580A2623 | B.09.01.L20006_0 | 6 | 1 | 58172155 | C.02.01.L20004_0 | 30 | 1 | 58176395 | E.01.01.L20003_0 | 3 | 2 |
| | B.09.02.L20005_0 | 6 | 1 | 58172304 | I.01.01.L20003_0 | 5 | 1 | 58176406 | E.01.01.L20003_0 | 8 | 4 |
| 580A2681 | B.09.01.L20006_0 | 37 | 1 | 58172400 | D.15.01.L20003_0 | 9 | 1 | 58176593 | B.08.01.L20003_0 | 18 | 1 |
| | B.09.02.L20005_0 | 50 | 1 | 58172402 | D.15.01.L20003_0 | 10 | 1 | 58176743 | E.01.01.L20003_0 | 5 | 4 |
| 580A2742 | E.02.01.L20003_0 | 7 | 1 | 58172447 | D.15.01.L20003_0 | 15 | 4 | 58177087 | B.08.01.L20003_0 | 03-gen | 1 |
| 580A2864 | B.07.01.L20005_0 | 2 | 1 | 58172448 | D.15.01.L20003_0 | 14 | 4 | 58177268 | B.08.01.L20003_0 | 25.1 | 1 |
| 580A2865 | B.07.01.L20005_0 | 1 | 1 | 58172463 | F.04.01.L20003_0 | 13 | 2 | 58177761 | M.02.01.L20006_0 | 17 | 1 |
| 580A2866 | B.07.01.L20005_0 | 5 | 2 | 58172489 | I.01.01.L20003_0 | 7 | 1 | 58179169 | D.08.01.L20003_0 | 8 | 33 |
| 580A2895 | B.07.01.L20005_0 | 3 | 2 | 58173116 | B.08.01.L20003_0 | 26.1 | 1 | 58179237 | D.14.01.L20003_0 | 4 | 1 |
| 580A3035 | E.02.01.L20003_0 | 6 | 1 | 58173119 | B.08.01.L20003_0 | 25.3 | 1 | 58179399 | T.01.02.L20004_0 | 23 | 2 |
| 580A3036 | E.02.01.L20003_0 | 3 | 1 | | B.08.01.L20003_0 | 26.3 | 1 | 58179783 | A.03.01.L20003_0 | 16 | 2 |
| 580A3042 | F.02.01.L20005_0 | 14 | 1 | 58173120 | B.08.01.L20003_0 | 25.2 | 1 | 58179811 | C.02.01.L20004_0 | 1.3 | 5 |
| 580A3043 | F.02.01.L20005_0 | 15 | 1 | 58173121 | B.08.01.L20003_0 | 26.2 | 1 | 58179859 | D.06.01.L20003_0 | 20 | 1 |
| 580A3072 | A.05.01.L20003_0 | 16 | 1 | 58173230 | D.06.01.L20003_0 | 32 | 1 | 58179860 | D.06.01.L20003_0 | 3 | 1 |
| | A.05.01.L20003_0 | 17 | 1 | 58173345 | B.08.01.L20003_0 | 14 | 1 | 58179928 | D.07.01.L20003_0 | 7 | 1 |
| 580A3099 | A.02.01.L20004_0 | 29 | 2 | 58173361 | I.01.01.L20003_0 | 8 | 1 | 581A0029 | B.08.01.L20003_0 | 28 | 1 |
| 580A3102 | A.02.01.L20004_0 | 30 | 1 | 58173775 | B.07.01.L20005_0 | 29 | 1 | 581A0071 | E.01.01.L20003_0 | 2 | 2 |
| 580A3112 | A.05.01.L20003_0 | 21 | 1 | 58173790 | D.08.01.L20003_0 | 5 | 1 | 581A0108 | C.03.01.L20005_0 | 3 | 1 |
| 580A3121 | B.07.01.L20005_0 | 4 | 2 | 58173797 | D.08.01.L20003_0 | 18 | 1 | 581A0174 | A.01.02.L20003_0 | 14 | 1 |
| 580A3133 | B.07.01.L20005_0 | 11 | 1 | 58174547 | F.04.01.L20003_0 | 19 | 1 | 581A0379 | B.08.01.L20003_0 | 03-feb | 1 |
| 58170077 | C.02.01.L20004_0 | 15 | 2 | 58175014 | A.01.01.L20003_0 | 11 | 1 | 581A0443 | I.01.01.L20003_0 | 6 | 1 |
| 58171558 | D.02.01.L20004_0 | 11 | 7 | 58175187 | L.02.01.L20006_0 | 10 | 2 | 581A0444 | I.01.01.L20003_0 | 4 | 2 |
| 58171559 | D.02.01.L20004_0 | 12 | 6 | | M.02.01.L20006_0 | 10 | 2 | 581A0907 | I.01.01.L20003_0 | 9 | 1 |
| 58171567 | D.12.01.L20003_0 | 10 | 12 | 58175188 | L.02.01.L20006_0 | 7 | 1 | | L.02.01.L20006_0 | 1 | 1 |
| 58171596 | D.03.01.L20004_0 | 2 | 4 | | M.02.01.L20006_0 | 7 | 1 | 581A1577 | D.10.01.L20004_0 | 1 | 3 |
| | D.05.01.L20006_0 | 2 | 2 | 58175211 | L.02.01.L20006_0 | 9 | 1 | 581A2199 | A.03.01.L20003_0 | 7 | 1 |
| 58171653 | D.12.01.L20003_0 | 11 | 120 | | M.02.01.L20006_0 | 9 | 1 | 581A2213 | A.06.01.L20003_0 | 2 | 1 |
| 58171706 | D.04.01.L20003_0 | 1 | 2 | 58175318 | L.01.01.L20003_0 | 2 | 2 | 581A2235 | A.04.01.L20003_0 | 1 | 1 |
| 58171707 | D.04.01.L20003_0 | 2 | 6 | | M.01.01.L20003_0 | 2 | 2 | 581A2277 | C.02.01.L20004_0 | 24 | 1 |
| 58172011 | I.01.01.L20003_0 | 1 | 1 | 58175472 | I.01.01.L20003_0 | 10 | 1 | 581A2292 | D.01.01.L20005_0 | 1 | 1 |
| 58172012 | I.01.01.L20003_0 | 3 | 2 | | M.02.01.L20006_0 | 1 | 1 | 581A2355 | F.02.01.L20005_0 | 1 | 1 |
| 58172014 | I.01.01.L20003_0 | 2 | 1 | 58175783 | T.01.02.L20004_0 | 4 | 2 | 581A2708 | B.09.01.L20006_0 | 34 | 1 |
| 58172015 | L.02.01.L20006_0 | 28 | 1 | | T.01.03.L20003_0 | 17 | 2 | | B.09.02.L20005_0 | 53 | 1 |

SPARE PARTS INSTANCE INDEX

| Code | Parts Table | Pos. | Q.ty | Code | Parts Table | Pos. | Q.ty | Code | Parts Table | Pos. | Q.ty |
|----------|------------------|--------|------|----------|------------------|------|------|-----------|------------------|------|------|
| 581A2789 | A.03.01.L20003_0 | 2 | 1 | 59079665 | D.03.01.L20004_0 | 25 | 1 | 590A0960 | T.01.03.L20003_0 | 16 | 1 |
| 581A2790 | A.03.01.L20003_0 | 3 | 2 | 59079675 | D.03.01.L20004_0 | 20 | 1 | 590A0963 | T.01.03.L20003_0 | 23 | 1 |
| 581A2791 | A.03.01.L20003_0 | 1 | 1 | | D.05.01.L20006_0 | 11 | 1 | 590A0964 | T.01.03.L20003_0 | 22 | 1 |
| 581A2805 | A.06.01.L20003_0 | 5 | 1 | 59079759 | D.06.01.L20003_0 | 1 | 1 | 590A0968 | T.01.03.L20003_0 | 24 | 1 |
| 581A3051 | B.08.01.L20003_0 | 09-gen | 1 | 59079760 | D.06.01.L20003_0 | 2 | 1 | 590A0969 | T.01.03.L20003_0 | 25 | 1 |
| 581A3053 | B.08.01.L20003_0 | 09-feb | 1 | 59079792 | T.01.02.L20004_0 | 24 | 2 | 590A0973 | T.01.03.L20003_0 | 10.1 | 1 |
| 59071518 | D.01.01.L20005_0 | 21 | 1 | 59079844 | B.03.01.L20005_0 | 1 | 1 | 590A0977 | T.01.03.L20003_0 | 11.1 | 1 |
| | D.11.01.L20005_0 | 12 | 1 | 59079845 | B.03.01.L20005_0 | 2 | 1 | 590A0980 | T.01.03.L20003_0 | 10 | 1 |
| 59071640 | D.03.01.L20004_0 | 7 | 1 | 590A0063 | B.03.02.L20005_0 | 1 | 1 | 590A0982 | T.01.03.L20003_0 | 11 | 1 |
| 59073066 | D.05.01.L20006_0 | 25 | 2 | 590A0064 | B.03.02.L20005_0 | 2 | 1 | 590A1030 | T.01.03.L20003_0 | 35 | 2 |
| 59074317 | D.05.01.L20006_0 | 21 | 1 | 590A0091 | L.02.01.L20006_0 | 16 | 1 | 590A1645 | L.01.01.L20003_0 | 17 | 2 |
| 59075711 | C.02.01.L20004_0 | 35 | 1 | 590A0093 | L.02.01.L20006_0 | 19 | 1 | | M.01.01.L20003_0 | 17 | 2 |
| 59075712 | C.02.01.L20004_0 | 36 | 1 | 590A0446 | M.01.01.L20003_0 | 29 | 1 | 590A1683 | D.02.01.L20004_0 | 21 | 1 |
| 59076690 | B.03.01.L20005_0 | 5 | 2 | 590A0451 | M.02.01.L20006_0 | 31 | 1 | 590A1686 | D.02.01.L20004_0 | 31 | 1 |
| 59077101 | A.02.01.L20004_0 | 3 | 1 | 590A0454 | M.02.01.L20006_0 | 29 | 1 | 590A1992V | B.03.01.L20005_0 | 13 | 1 |
| 59077107 | A.02.01.L20004_0 | 1 | 1 | 590A0457 | M.02.01.L20006_0 | 32 | 1 | 590A1993V | B.03.01.L20005_0 | 14 | 1 |
| 59077943 | F.02.01.L20005_0 | 8 | 2 | 590A0544 | L.02.01.L20006_0 | 33 | 1 | 590A2002V | B.03.02.L20005_0 | 4 | 1 |
| 59078588 | L.01.01.L20003_0 | 21 | 1 | 590A0562 | F.02.01.L20005_0 | 6 | 1 | 590A2003V | B.03.02.L20005_0 | 5 | 1 |
| | M.01.01.L20003_0 | 21 | 1 | | L.02.01.L20006_0 | 32 | 1 | 590A2204N | B.01.01.L20003_0 | 2 | 1 |
| | T.01.01.L20004_0 | 17 | 1 | 590A0570 | F.04.01.L20003_0 | 17 | 1 | 590A2214 | A.06.01.L20003_0 | 1 | 1 |
| | T.01.02.L20004_0 | 17 | 1 | 590A0571 | F.04.01.L20003_0 | 18 | 1 | 590A2220V | B.02.01.L20003_0 | 1 | 1 |
| | T.01.03.L20003_0 | 43 | 1 | 590A0638 | M.02.01.L20006_0 | 13 | 1 | 590A2228 | F.02.01.L20005_0 | 2 | 1 |
| 59079172 | C.03.01.L20005_0 | 9 | 1 | 590A0756 | D.07.01.L20003_0 | 23 | 1 | 590A2229 | F.02.01.L20005_0 | 3 | 1 |
| 59079538 | D.02.01.L20004_0 | 6 | 1 | | L.01.01.L20003_0 | 23 | 1 | 590A2237 | A.01.02.L20003_0 | 9 | 1 |
| 59079592 | L.01.01.L20003_0 | 14 | 1 | | M.01.01.L20003_0 | 23 | 1 | 590A2254 | B.03.01.L20005_0 | 4 | 1 |
| | M.01.01.L20003_0 | 14 | 1 | 590A0795 | U.01.01.L20003_0 | 9 | 1 | 590A2316 | B.09.01.L20006_0 | 1 | 1 |
| 59079593 | L.01.01.L20003_0 | 15 | 1 | 590A0796 | U.01.01.L20003_0 | 10 | 1 | | B.09.02.L20005_0 | 1 | 1 |
| | M.01.01.L20003_0 | 15 | 1 | 590A0848 | B.03.01.L20005_0 | 25 | 1 | 590A2339V | B.09.01.L20006_0 | 2 | 1 |
| 59079597 | D.03.01.L20004_0 | 1 | 1 | | B.03.02.L20005_0 | 13 | 1 | | B.09.02.L20005_0 | 2 | 1 |
| 59079612 | D.05.01.L20006_0 | 3 | 1 | 590A0849 | B.03.01.L20005_0 | 24 | 1 | 590A2344 | B.09.01.L20006_0 | 7 | 1 |
| 59079632 | D.05.01.L20006_0 | 22 | 1 | | B.03.02.L20005_0 | 12 | 1 | | B.09.02.L20005_0 | 7 | 1 |
| 59079638 | D.03.01.L20004_0 | 21 | 1 | 590A0950 | T.01.03.L20003_0 | 1 | 1 | 590A2346 | D.07.01.L20003_0 | 20 | 1 |
| 59079643 | D.03.01.L20004_0 | 14 | 2 | 590A0954 | T.01.03.L20003_0 | 2 | 1 | | L.01.01.L20003_0 | 24 | 1 |
| | D.05.01.L20006_0 | 23 | 2 | 590A0957 | T.01.03.L20003_0 | 15 | 1 | | M.01.01.L20003_0 | 24 | 1 |

SPARE PARTS INSTANCE INDEX

| Code | Parts Table | Pos. | Q.ty | Code | Parts Table | Pos. | Q.ty | Code | Parts Table | Pos. | Q.ty |
|-----------|------------------|------|------|-------------|------------------|------|------|-------------|------------------|------|------|
| 590A2348 | B.09.01.L20006_0 | 13 | 1 | 593A2290 | D.01.01.L20005_0 | 13 | 1 | F0803199010 | D.14.01.L20003_0 | 28 | 1 |
| | B.09.02.L20005_0 | 13 | 1 | 59921000 | A.01.01.L20003_0 | 7 | 1 | | F.04.01.L20003_0 | 3 | 1 |
| 590A2372 | B.03.01.L20005_0 | 11 | 1 | 59921001 | A.01.01.L20003_0 | 16 | 1 | F0806533000 | D.03.01.L20004_0 | 17 | 1 |
| 590A2387V | B.09.02.L20005_0 | 42 | 1 | F0190018909 | E.02.01.L20003_0 | 2 | 1 | | D.05.01.L20006_0 | 12 | 1 |
| 590A2629 | M.02.01.L20006_0 | 25 | 1 | F0800056050 | D.02.02.L20003_0 | 6 | 1 | F0810510000 | D.03.01.L20004_0 | 6 | 2 |
| 590A2648 | B.09.01.L20006_0 | 22 | 1 | F0801050000 | M.02.01.L20006_0 | 27 | 4 | | D.04.01.L20003_0 | 8 | 2 |
| | B.09.02.L20005_0 | 22 | 1 | | T.01.03.L20003_0 | 31 | 2 | | D.05.01.L20006_0 | 19 | 2 |
| 590A2721 | B.01.01.L20003_0 | 27 | 1 | F0801095000 | D.06.01.L20003_0 | 17 | 1 | | D.05.01.L20006_0 | 28 | 4 |
| 590A2787 | D.06.01.L20003_0 | 7 | 1 | F0801156050 | D.02.02.L20003_0 | 3 | 2 | | D.06.01.L20003_0 | 12 | 1 |
| 590A2802 | A.01.02.L20003_0 | 12 | 1 | F0801175050 | D.01.01.L20005_0 | 25 | 2 | F0812525100 | D.14.01.L20003_0 | 7 | 1 |
| 590A2802N | B.01.01.L20003_0 | 3 | 1 | F0801175500 | D.14.01.L20003_0 | 9 | 1 | F0812578050 | D.02.02.L20003_0 | 2 | 2 |
| 590A2807 | A.01.02.L20003_0 | 7 | 1 | F0801241010 | D.02.01.L20004_0 | 30 | 2 | F0812599090 | D.14.01.L20003_0 | 8 | 1 |
| 590A2810 | A.01.02.L20003_0 | 11 | 1 | | D.07.01.L20003_0 | 1 | 1 | F0812631000 | D.11.01.L20005_0 | 3 | 1 |
| 590A2830 | U.01.01.L20003_0 | 1 | 1 | F0801244080 | D.14.01.L20003_0 | 12 | 1 | F0812686100 | D.08.01.L20003_0 | 14 | 1 |
| 590A2832 | U.01.01.L20003_0 | 6 | 1 | F0801264050 | D.15.01.L20003_0 | 21 | 2 | F0812689050 | D.15.01.L20003_0 | 25 | 1 |
| 590A2913 | A.05.01.L20003_0 | 4 | 1 | F0801266000 | D.07.01.L20003_0 | 14 | 4 | F0812732080 | D.08.01.L20003_0 | 16 | 1 |
| 590A2914 | A.05.01.L20003_0 | 5 | 1 | F0801266050 | D.07.01.L20003_0 | 8 | 2 | F0812736010 | D.07.01.L20003_0 | 15 | 1 |
| 590A2944 | A.03.01.L20003_0 | 10 | 1 | F0801280100 | D.08.01.L20003_0 | 9 | 1 | | D.15.01.L20003_0 | 7 | 1 |
| | B.01.01.L20003_0 | 30 | 1 | F0801282000 | L.02.01.L20006_0 | 22 | 4 | F0812737000 | D.07.01.L20003_0 | 5 | 2 |
| 590A2994 | A.05.01.L20003_0 | 7 | 1 | F0801297050 | D.14.01.L20003_0 | 24 | 2 | F0812747000 | C.02.01.L20004_0 | 14 | 2 |
| 590A3081 | A.01.02.L20003_0 | 1 | 1 | | L.01.01.L20003_0 | 13 | 2 | F0812750000 | D.07.01.L20003_0 | 2 | 1 |
| 590A3082 | A.05.01.L20003_0 | 19 | 1 | | M.01.01.L20003_0 | 13 | 2 | F0812810101 | D.08.01.L20003_0 | 1 | 2 |
| 590A3120 | U.01.01.L20003_0 | 19 | 1 | F0801331000 | D.15.01.L20003_0 | 23 | 1 | F0812810102 | D.08.01.L20003_0 | 1 | 2 |
| 59271011 | F.04.01.L20003_0 | 14 | 1 | F0801331050 | D.07.01.L20003_0 | 19 | 1 | F0812871030 | D.08.01.L20003_0 | 21 | 2 |
| | L.01.01.L20003_0 | 27 | 1 | F0801346000 | D.12.01.L20003_0 | 6 | 2 | F0812895000 | C.01.01.L20004_0 | 9 | 2 |
| | M.01.01.L20003_0 | 27 | 1 | F0801346200 | D.07.01.L20003_0 | 12 | 1 | | D.11.01.L20005_0 | 13 | 2 |
| 59273944 | D.12.01.L20003_0 | 9 | 2 | F0801408000 | D.02.01.L20004_0 | 4 | 4 | F0812899000 | D.14.01.L20003_0 | 5 | 2 |
| 592A1187 | D.02.01.L20004_0 | 10 | 1 | F0802088050 | D.02.01.L20004_0 | 27 | 1 | F0812918050 | D.08.01.L20003_0 | 13 | 1 |
| 592A1250 | D.15.01.L20003_0 | 1 | 1 | F0802187050 | D.02.01.L20004_0 | 2 | 1 | F0812951200 | D.14.01.L20003_0 | 19 | 1 |
| 59379041 | D.14.01.L20003_0 | 26 | 1 | F0802190010 | D.01.01.L20005_0 | 8 | 1 | F0812973000 | D.12.01.L20003_0 | 2 | 4 |
| 59379580 | D.11.01.L20005_0 | 4 | 1 | F0802228005 | D.14.01.L20003_0 | 25 | 1 | F0814547000 | B.02.01.L20003_0 | 17 | 4 |
| 59379589 | F.04.01.L20003_0 | 1 | 1 | F0802700150 | D.12.01.L20003_0 | 1 | 2 | | B.03.01.L20005_0 | 20 | 6 |
| 593A0864 | B.09.01.L20006_0 | 11 | 1 | F0803072050 | F.04.01.L20003_0 | 4 | 1 | | B.03.02.L20005_0 | 9 | 8 |
| | B.09.02.L20005_0 | 11 | 1 | F0803186000 | D.04.01.L20003_0 | 5 | 4 | | F.02.01.L20005_0 | 10 | 2 |



SPARE PARTS INSTANCE INDEX

| Code | Parts Table | Pos. | Q.ty | Code | Parts Table | Pos. | Q.ty | Code | Parts Table | Pos. | Q.ty |
|-------------|------------------|------|------|-------------|------------------|------|------|-------------|------------------|------|------|
| F0814627000 | D.03.01.L20004_0 | 10 | 2 | F0838535050 | C.02.01.L20004_0 | 6 | 4 | F0843643060 | D.03.01.L20004_0 | 16 | 2 |
| F0814647000 | C.02.01.L20004_0 | 8 | 6 | F0838660000 | C.03.01.L20005_0 | 11 | 8 | | D.05.01.L20006_0 | 9 | 2 |
| F0814689050 | D.02.01.L20004_0 | 7 | 1 | F0838660100 | C.03.01.L20005_0 | 12 | 6 | | D.06.01.L20003_0 | 14 | 2 |
| F0814695000 | C.03.01.L20005_0 | 4 | 14 | F0842505030 | L.02.01.L20006_0 | 46 | 1 | | D.14.01.L20003_0 | 36 | 2 |
| F0814794000 | B.03.01.L20005_0 | 9 | 2 | F0843107000 | F.04.01.L20003_0 | 23 | 1 | | F.02.01.L20005_0 | 5 | 4 |
| F0817500470 | D.10.01.L20004_0 | 4 | 3 | | L.02.01.L20006_0 | 38 | 2 | | L.02.01.L20006_0 | 5 | 3 |
| F0817640003 | D.10.01.L20004_0 | 28 | 3 | F0843109020 | L.02.01.L20006_0 | 30 | 5 | | M.02.01.L20006_0 | 3 | 6 |
| F0819180080 | D.02.01.L20004_0 | 25 | 2 | F0843526000 | B.08.01.L20003_0 | 16 | 4 | | T.01.03.L20003_0 | 37 | 2 |
| F0822537050 | D.03.01.L20004_0 | 3 | 2 | | F.04.01.L20003_0 | 6 | 1 | F0843755000 | A.01.01.L20003_0 | 9 | 2 |
| | D.05.01.L20006_0 | 4 | 2 | F0843561000 | A.02.01.L20004_0 | 27 | 1 | | A.01.02.L20003_0 | 21 | 1 |
| F0824022000 | F.04.01.L20003_0 | 27 | 1 | | T.01.03.L20003_0 | 34 | 4 | | A.03.01.L20003_0 | 18 | 4 |
| F0824110000 | F.02.01.L20005_0 | 21 | 6 | F0843570000 | A.02.01.L20004_0 | 20 | 2 | | A.05.01.L20003_0 | 13 | 4 |
| | L.02.01.L20006_0 | 31 | 14 | | A.02.01.L20004_0 | 24 | 1 | | B.01.01.L20003_0 | 29 | 2 |
| F0824113000 | F.02.01.L20005_0 | 13 | 4 | | A.03.01.L20003_0 | 20 | 6 | | B.08.01.L20003_0 | 7 | 4 |
| | L.02.01.L20006_0 | 27 | 2 | | B.01.01.L20003_0 | 19 | 2 | | B.09.02.L20005_0 | 40 | 4 |
| F0824141000 | L.02.01.L20006_0 | 44 | 2 | | B.02.01.L20003_0 | 14 | 4 | | D.05.01.L20006_0 | 7 | 4 |
| F0825115010 | B.08.01.L20003_0 | 23 | 1 | | D.03.01.L20004_0 | 13 | 2 | | D.06.01.L20003_0 | 36 | 1 |
| F0825400060 | B.08.01.L20003_0 | 22 | 1 | | F.04.01.L20003_0 | 12 | 2 | | E.02.01.L20003_0 | 5 | 1 |
| F0825403050 | B.08.01.L20003_0 | 27 | 1 | | L.02.01.L20006_0 | 24 | 3 | | E.02.01.L20003_0 | 11 | 1 |
| F0825417000 | E.02.01.L20003_0 | 8 | 1 | | M.02.01.L20006_0 | 16 | 3 | | L.02.01.L20006_0 | 12 | 2 |
| F0825480100 | E.02.01.L20003_0 | 1 | 1 | | T.01.02.L20004_0 | 29 | 2 | | T.01.01.L20004_0 | 9 | 4 |
| F0825488000 | D.05.01.L20006_0 | 31 | 1 | F0843641000 | D.14.01.L20003_0 | 30 | 1 | | T.01.02.L20004_0 | 9 | 6 |
| F0825500210 | B.08.01.L20003_0 | 20 | 1 | F0843643060 | A.01.01.L20003_0 | 6 | 2 | | T.01.03.L20003_0 | 5 | 2 |
| F0825980030 | L.02.01.L20006_0 | 45 | 2 | | A.01.01.L20003_0 | 15 | 2 | | T.01.03.L20003_0 | 13 | 6 |
| F0826016000 | T.01.02.L20004_0 | 22 | 2 | | A.01.02.L20003_0 | 3 | 3 | | U.01.01.L20003_0 | 3 | 2 |
| | T.01.03.L20003_0 | 26 | 4 | | A.02.01.L20004_0 | 12 | 2 | | U.01.01.L20003_0 | 22 | 1 |
| F0826056000 | C.02.01.L20004_0 | 13 | 2 | | A.06.01.L20003_0 | 4 | 1 | F0843771000 | F.04.01.L20003_0 | 16 | 4 |
| | L.01.01.L20003_0 | 9 | 1 | | B.02.01.L20003_0 | 11 | 2 | | M.02.01.L20006_0 | 26 | 1 |
| | M.01.01.L20003_0 | 9 | 1 | | B.02.01.L20003_0 | 22 | 2 | F0843843060 | A.01.02.L20003_0 | 18 | 13 |
| | T.01.03.L20003_0 | 3 | 2 | | B.03.01.L20005_0 | 30 | 6 | | B.01.01.L20003_0 | 23 | 16 |
| F0831065000 | B.01.01.L20003_0 | 7 | 1 | | B.03.02.L20005_0 | 0 | 6 | | B.09.02.L20005_0 | 37 | 2 |
| F0835023000 | L.02.01.L20006_0 | 42 | 1 | | B.03.02.L20005_0 | 7 | 4 | | U.01.01.L20003_0 | 5 | 4 |
| F0835040000 | L.02.01.L20006_0 | 43 | 2 | | B.09.02.L20005_0 | 44 | 2 | | U.01.01.L20003_0 | 8 | 4 |
| F0838475000 | C.02.01.L20004_0 | 7 | 2 | | D.02.01.L20004_0 | 1 | 2 | F0843907000 | F.04.01.L20003_0 | 24 | 2 |

SPARE PARTS INSTANCE INDEX

| Code | Parts Table | Pos. | Q.ty |
|-------------|------------------|------|------|
| F0843907000 | L.02.01.L20006_0 | 39 | 4 |
| F0843921030 | U.01.01.L20003_0 | 16 | 2 |
| F0843948000 | F.04.01.L20003_0 | 15 | 1 |
| | L.01.01.L20003_0 | 28 | 1 |
| | M.01.01.L20003_0 | 28 | 1 |
| F0844150000 | T.01.03.L20003_0 | 39 | 2 |
| F0844200050 | F.04.01.L20003_0 | 8 | 1 |
| F0844273090 | C.01.01.L20004_0 | 4 | 1 |
| | D.12.01.L20003_0 | 15 | 2 |
| F0844283050 | T.01.02.L20004_0 | 30 | 4 |
| F0847434000 | D.10.01.L20004_0 | 22 | 5 |
| F0851180000 | D.10.01.L20004_0 | 17 | 5 |
| F0851226000 | D.15.01.L20003_0 | 31 | 1 |
| F0851486000 | L.01.01.L20003_0 | 22 | 1 |
| | M.01.01.L20003_0 | 22 | 1 |
| | T.01.01.L20004_0 | 15 | 4 |
| | T.01.02.L20004_0 | 15 | 6 |
| | T.01.03.L20003_0 | 42 | 4 |
| F0852538010 | C.02.01.L20004_0 | 2 | 1 |
| F0852550100 | L.02.01.L20006_0 | 18 | 2 |
| F0852550200 | L.02.01.L20006_0 | 47/5 | 1 |
| F0852550210 | L.02.01.L20006_0 | 47/3 | 1 |
| F0852550220 | L.02.01.L20006_0 | 47/2 | 1 |
| F0852550230 | L.02.01.L20006_0 | 47/1 | 1 |
| F0852550240 | L.02.01.L20006_0 | 47/4 | 1 |
| F0852578060 | D.15.01.L20003_0 | 1.1 | 2 |
| F0860091010 | D.05.01.L20006_0 | 26 | 2 |
| F0861867050 | E.01.01.L20003_0 | 4 | 16 |
| F0861973100 | B.09.01.L20006_0 | 15 | 4 |
| | B.09.02.L20005_0 | 15 | 4 |
| | L.02.01.L20006_0 | 15 | 8 |
| F0862090000 | D.12.01.L20003_0 | 8 | 6 |
| F0862129000 | L.02.01.L20006_0 | 23 | 1 |
| F0862345000 | F.04.01.L20003_0 | 11 | 2 |

| Code | Parts Table | Pos. | Q.ty |
|---------------|------------------|------|------|
| F0862443010 | M.01.01.L20003_0 | 37 | 1 |
| F0862448100 | D.14.01.L20003_0 | 29 | 1 |
| | F.04.01.L20003_0 | 26 | 1 |
| | F.04.01.L20003_0 | 28 | 1 |
| F0862479020 | B.03.01.L20005_0 | 27 | 2 |
| | B.03.02.L20005_0 | 0 | 2 |
| | B.09.01.L20006_0 | 3 | 4 |
| | B.09.02.L20005_0 | 3 | 4 |
| | B.09.02.L20005_0 | 45 | 2 |
| F0862593050 | C.02.01.L20004_0 | 31 | 1 |
| F0862655000 | D.12.01.L20003_0 | 13 | 6 |
| F0862657000 | D.01.01.L20005_0 | 3 | 1 |
| F0862785000 | B.09.01.L20006_0 | 31 | 1 |
| | B.09.02.L20005_0 | 31 | 1 |
| F0863105000 | D.10.01.L20004_0 | 21 | 2 |
| F0863208050 | B.09.01.L20006_0 | 12 | 4 |
| | B.09.02.L20005_0 | 12 | 4 |
| F0863267050 | C.02.01.L20004_0 | 22 | 8 |
| | D.01.01.L20005_0 | 14 | 8 |
| | D.11.01.L20005_0 | 5 | 8 |
| F0863359000 | C.02.01.L20004_0 | 5 | 2 |
| | L.01.01.L20003_0 | 7 | 4 |
| | M.01.01.L20003_0 | 7 | 4 |
| F0863449000 | D.05.01.L20006_0 | 5 | 2 |
| F0863925000 | U.01.01.L20003_0 | 7 | 4 |
| F0864377000 | B.03.01.L20005_0 | 8 | 2 |
| F0865040000 | B.08.01.L20003_0 | 1 | 1 |
| F0865040020 | B.08.01.L20003_0 | 2 | 1 |
| P00000005008 | D.10.01.L20004_0 | 27 | 4 |
| P00000007984 | C.02.01.L20004_0 | 1.2 | 1 |
| P000000309112 | M.02.01.L20006_0 | 30 | 2 |
| P238105000000 | B.08.01.L20003_0 | 5 | 1 |
| P241171000000 | L.02.01.L20006_0 | 34 | 1 |
| P254124000000 | F.04.01.L20003_0 | 22 | 7 |

| Code | Parts Table | Pos. | Q.ty |
|---------------|------------------|------|------|
| P439149000000 | B.03.01.L20005_0 | 7 | 2 |
| P453524010000 | D.04.01.L20003_0 | 14 | 2 |
| P470330000000 | D.14.01.L20003_0 | 31 | 1 |
| P470433000000 | D.14.01.L20003_0 | 32 | 1 |
| P917280000000 | B.03.01.L20005_0 | 6 | 2 |